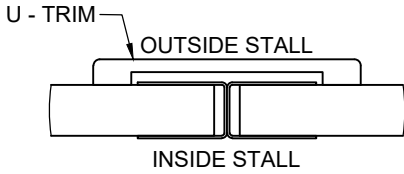
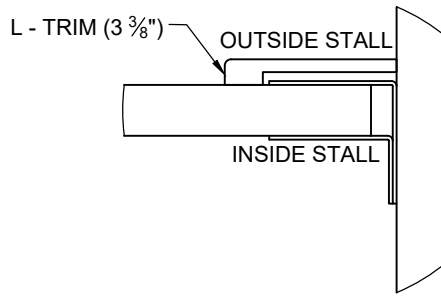


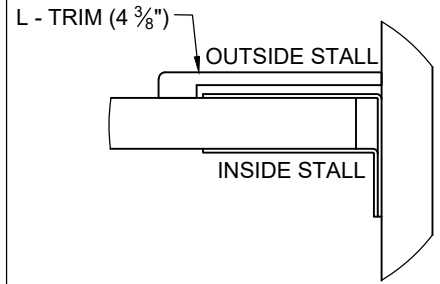
H - BRACKET
CONTINUOUS



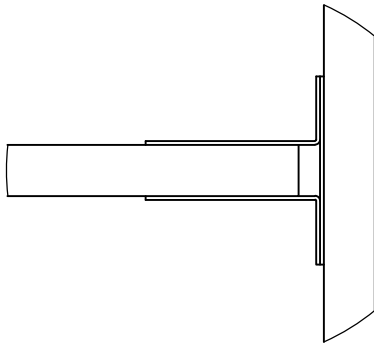
ONE EAR BRACKET - SHORT
INDIVIDUAL & CONTINUOUS



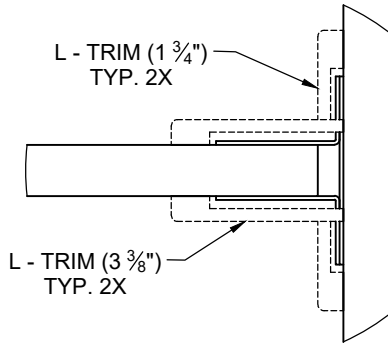
ONE EAR BRACKET - LONG
INDIVIDUAL



TWO EAR BRACKET - LONG
INDIVIDUAL

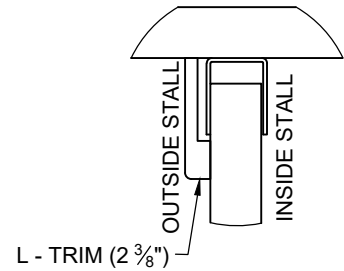


TWO EAR BRACKET - SHORT
CONTINUOUS & URINAL SCREEN

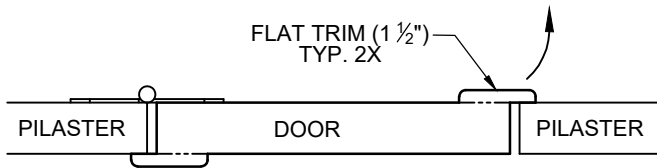


TRIM ONLY APPLIES TO URINAL SCREENS

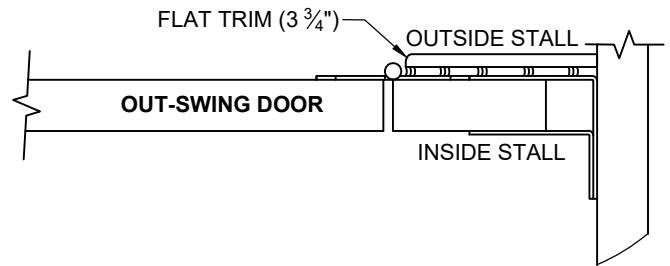
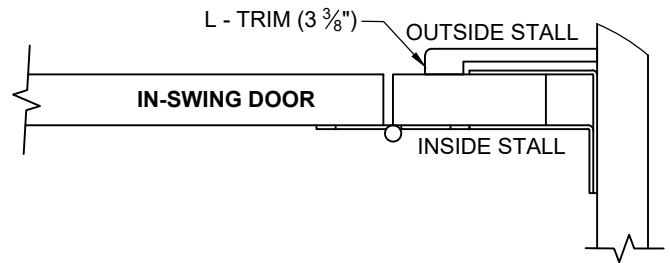
U - BRACKET
INDIVIDUAL & CONTINUOUS



DOOR



ONE EAR BRACKET - SHORT
(3" PILASTER ONLY)
INDIVIDUAL & CONTINUOUS



1" GAP MANDATORY BETWEEN PILASTER AND WALL

AVAILABLE LENGTHS:

- 58" [1473.2]
- 64" [1625.6]
- 72" [1828.8]
- 84" [2133.6]

TRIM TO BE CUT TO LENGTH IN FIELD FOR CUSTOM LENGTHS

NOTE: [] DIMS ARE IN mm.

FINISH: N/A

PROJECT:

CUSTOMER:

LOCATION:

PARTITIONS - PARTIAL TRIM PACKAGE
TYPICAL USE SCENARIO

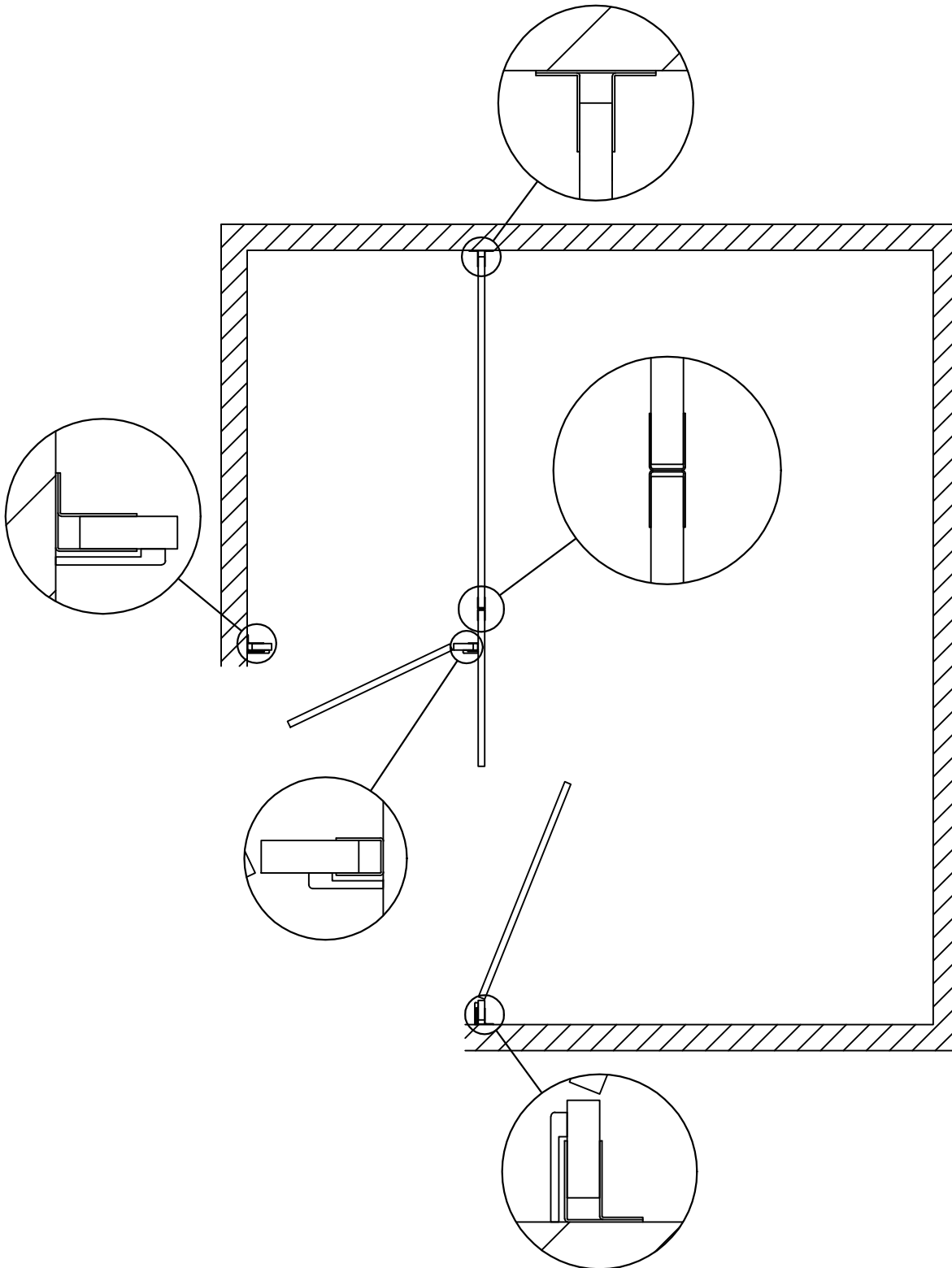
DATE: 03/18/2019

SCALE: NTS

DOC: CADEN.103/r2



For More Information Visit: Inprocorp.com



NOTE: [] DIMS ARE IN mm.

FINISH: N/A

PROJECT:
CUSTOMER:
LOCATION:

**PARTITIONS - PARTIAL TRIM PACKAGE
TYPICAL USE SCENARIO**

DATE:	03/18/2019
SCALE:	NTS
DOC:	CADEN.103/r2

inpro.
For More Information Visit: Inprocorp.com