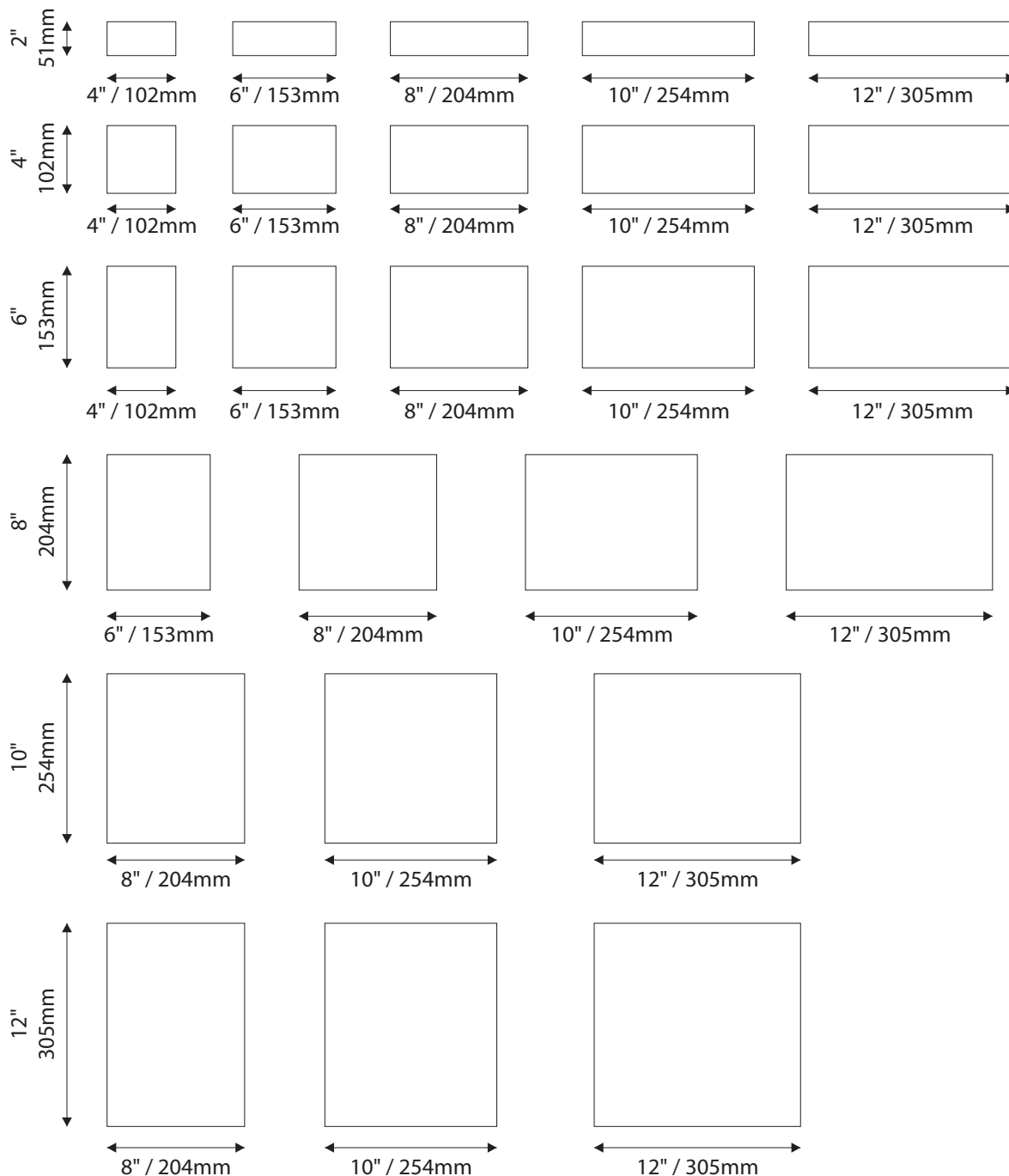


# Standard Sizes

# Phoenix Collection

## ADA Room Identification/Informational



IPC1543/REV.3

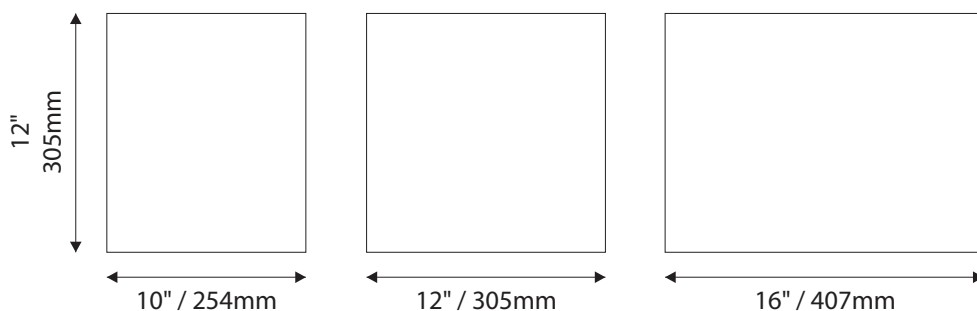
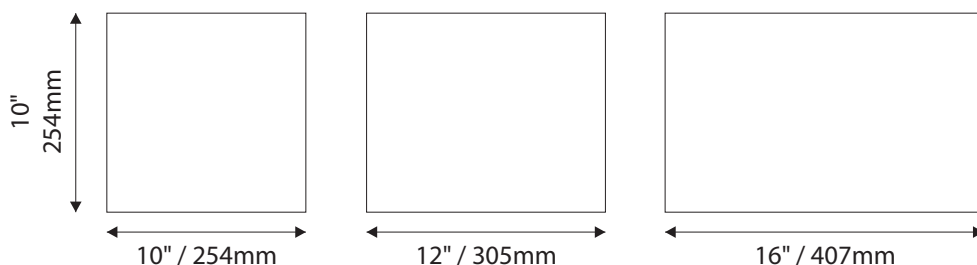
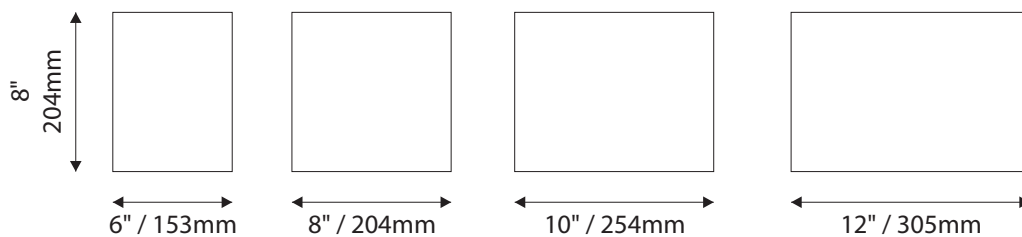
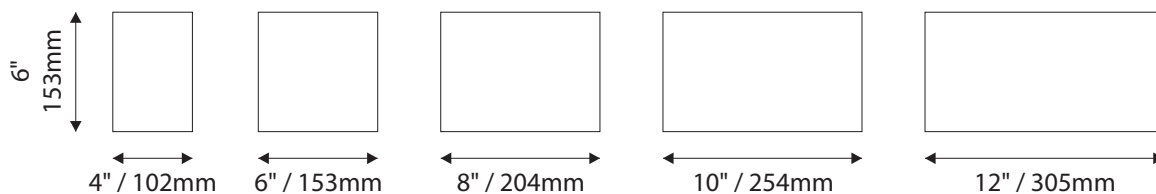
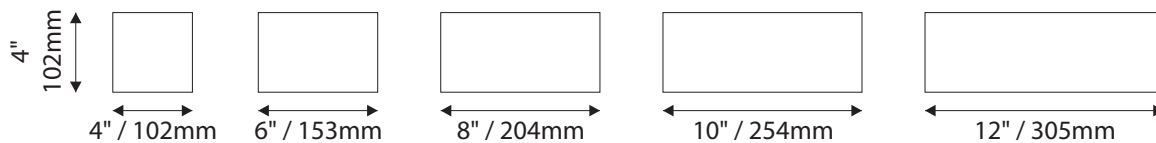
# Standard Sizes

# Phoenix Collection

---

## Informational / Directional

---



IPC1543/REV.3

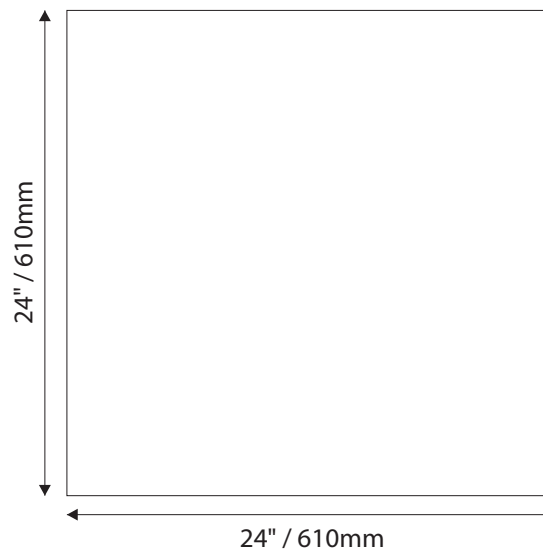
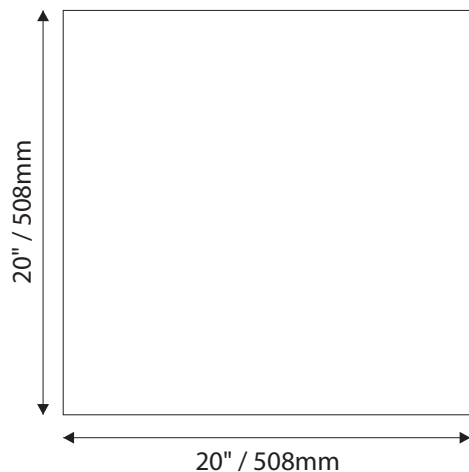
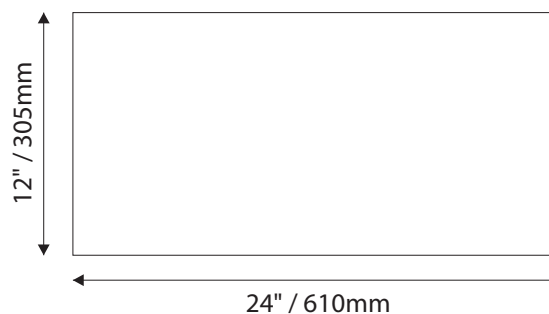
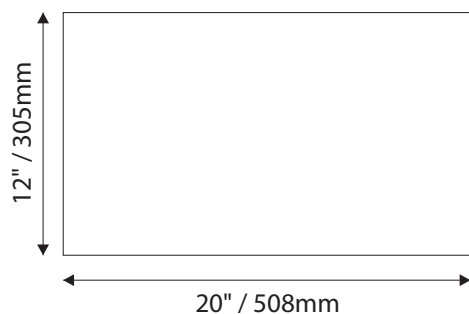
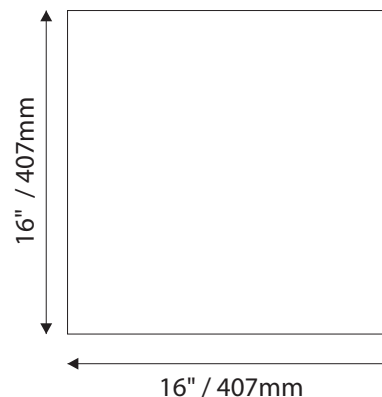
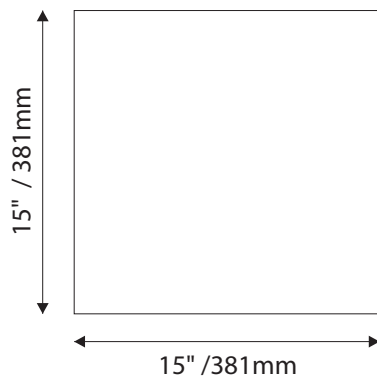
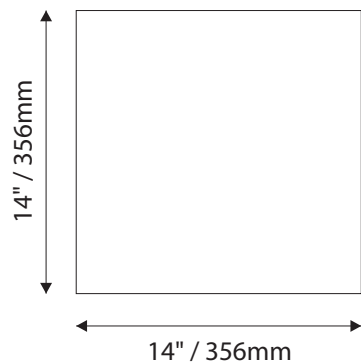
# Standard Sizes

# Phoenix Collection

---

## Informational / Directional

---



IPC1543/REV.3

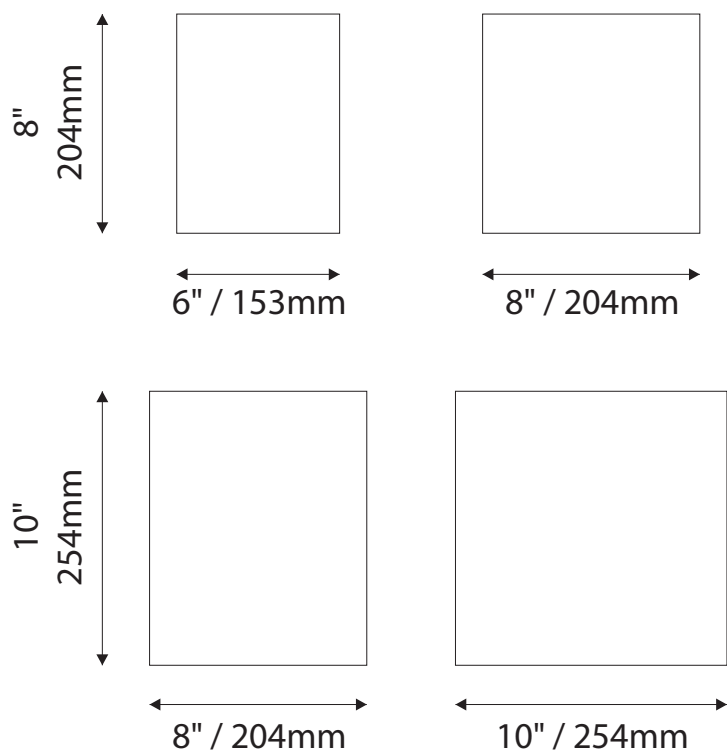
# Standard Sizes

# Phoenix Collection

---

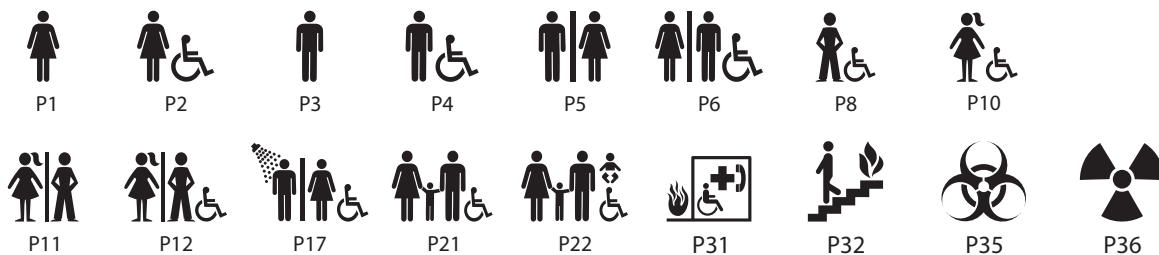
## ADA Regulatory

---



## Common Pictograms

---

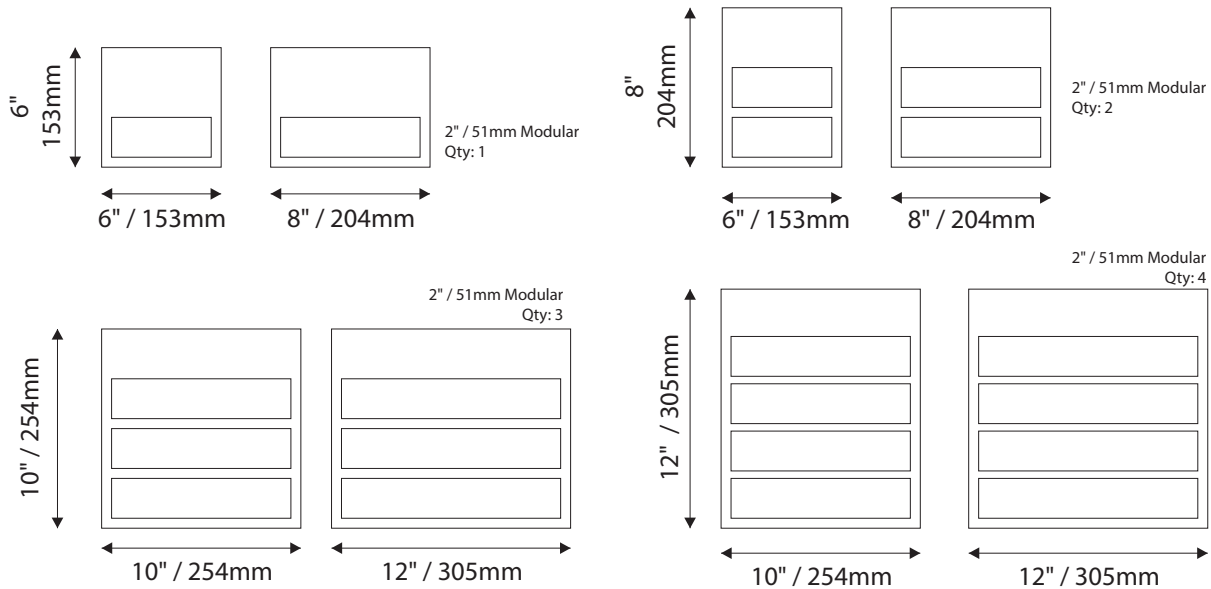


IPC1543/REV.3

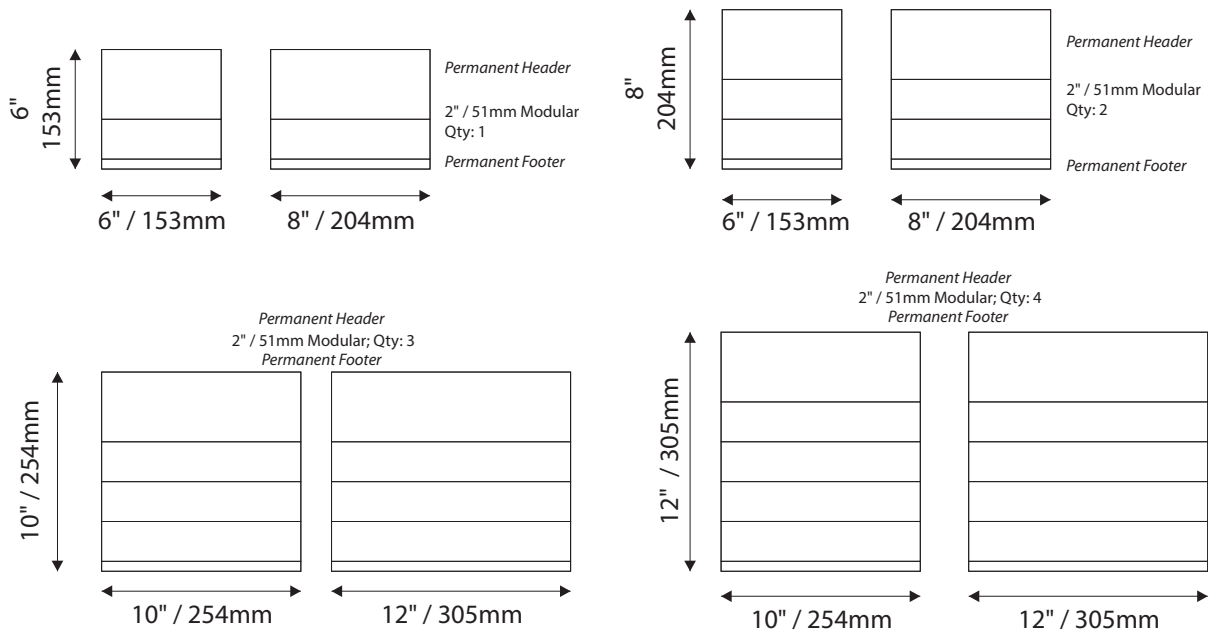
# Standard Sizes

# Phoenix Collection

## Room Identification with Modular - Palladium Rigid Vinyl Sheet



## Room Identification with Modular - Photopoly/Digital Print

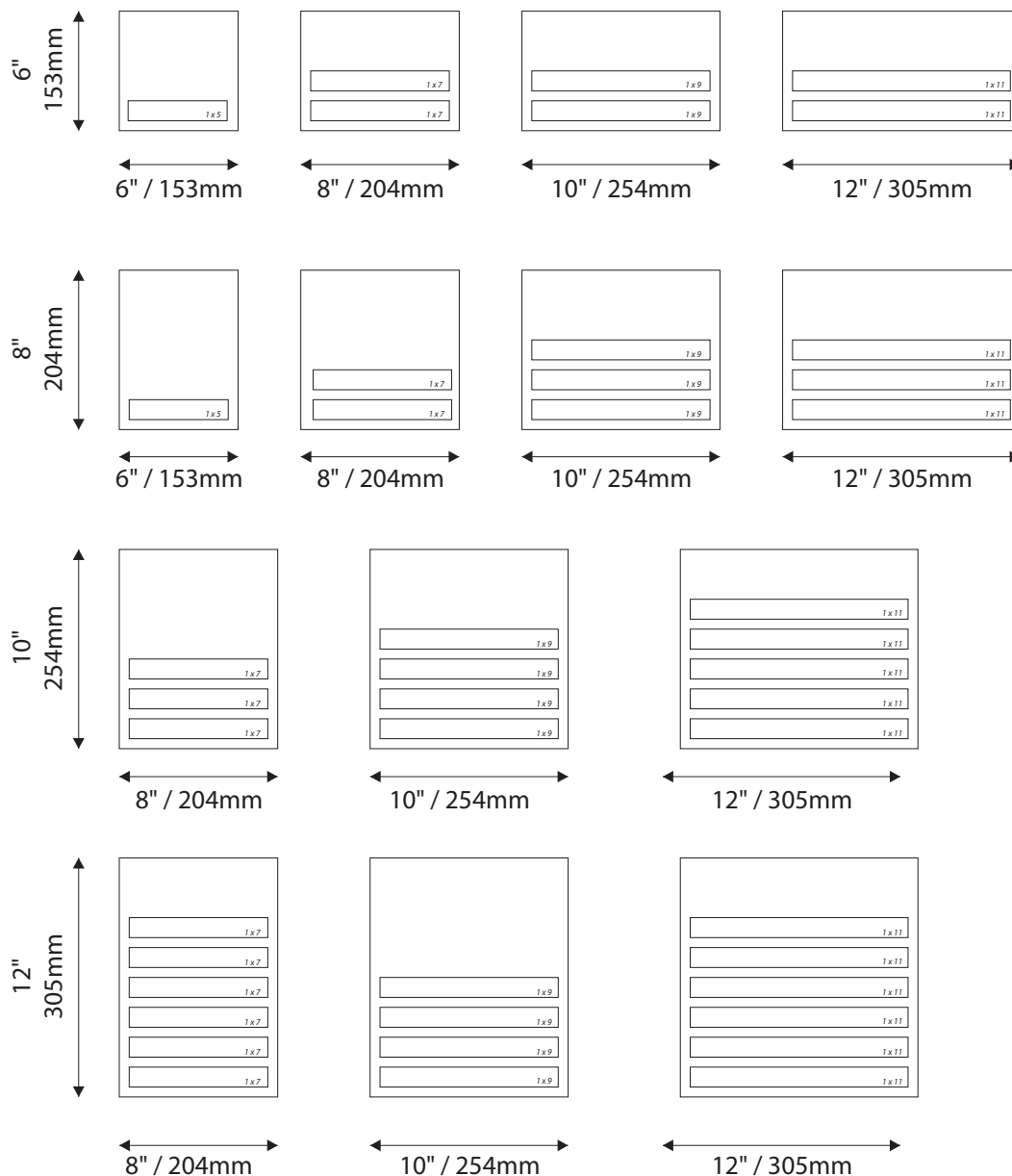


IPC1543/REV.3

# Standard Sizes

# Phoenix Collection

## Room Identification with Window



- Window Sizes available from ½" (12mm) to 5.5" (140mm)
- Windows widths are typically 1" (25mm) less the sign width
- Edge to Edge windows are available in painted signs.
- All signs come standard with a finger notch for easy removal.

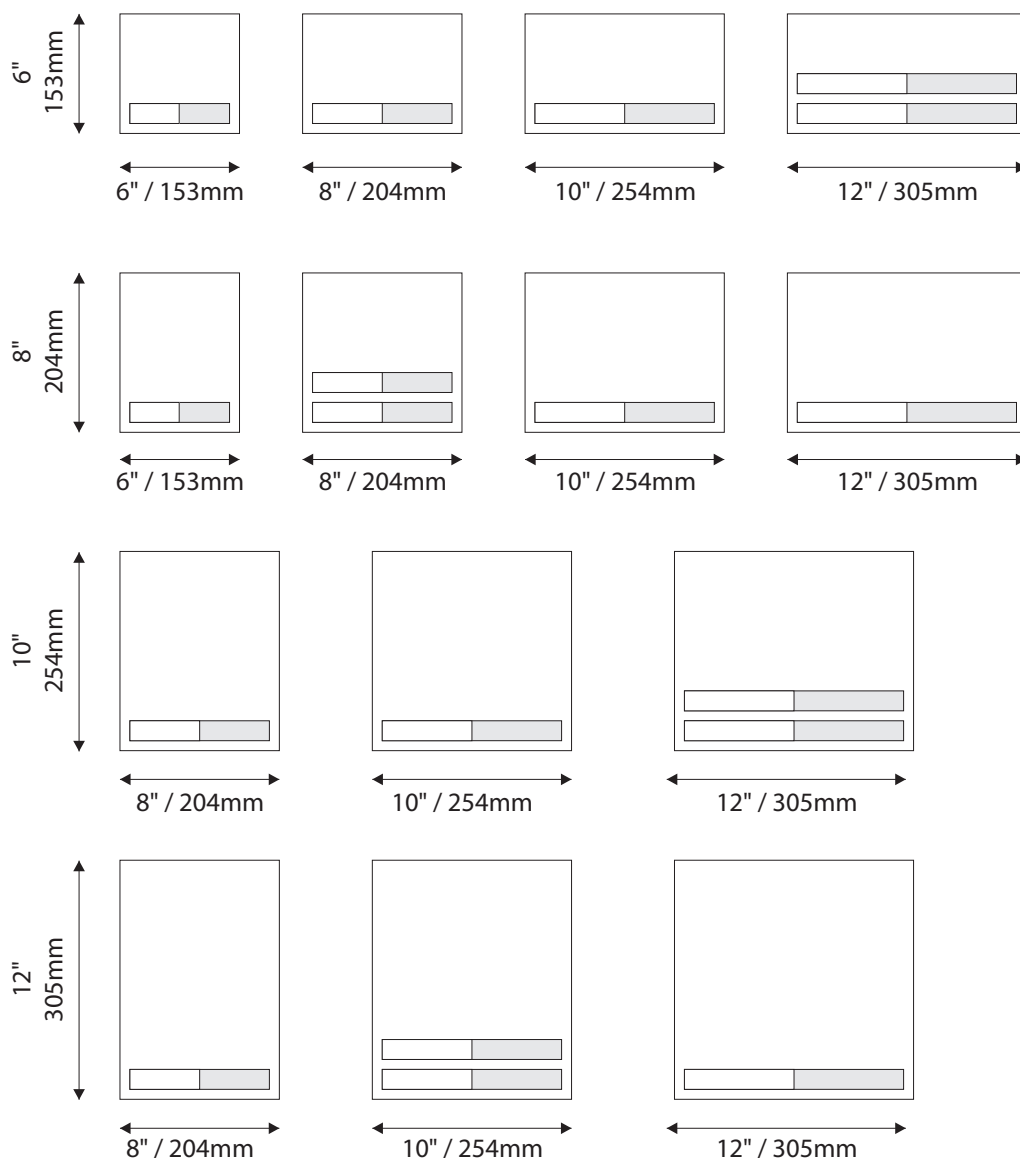
- InPro Corporation does not provide printed window inserts
- Ready to print Microsoft Word® templates are available for download at [inprocorp.com/templates](http://inprocorp.com/templates)

IPC1543/REV.3

# Standard Sizes

# Phoenix Collection

## Room Identification with Slider Display



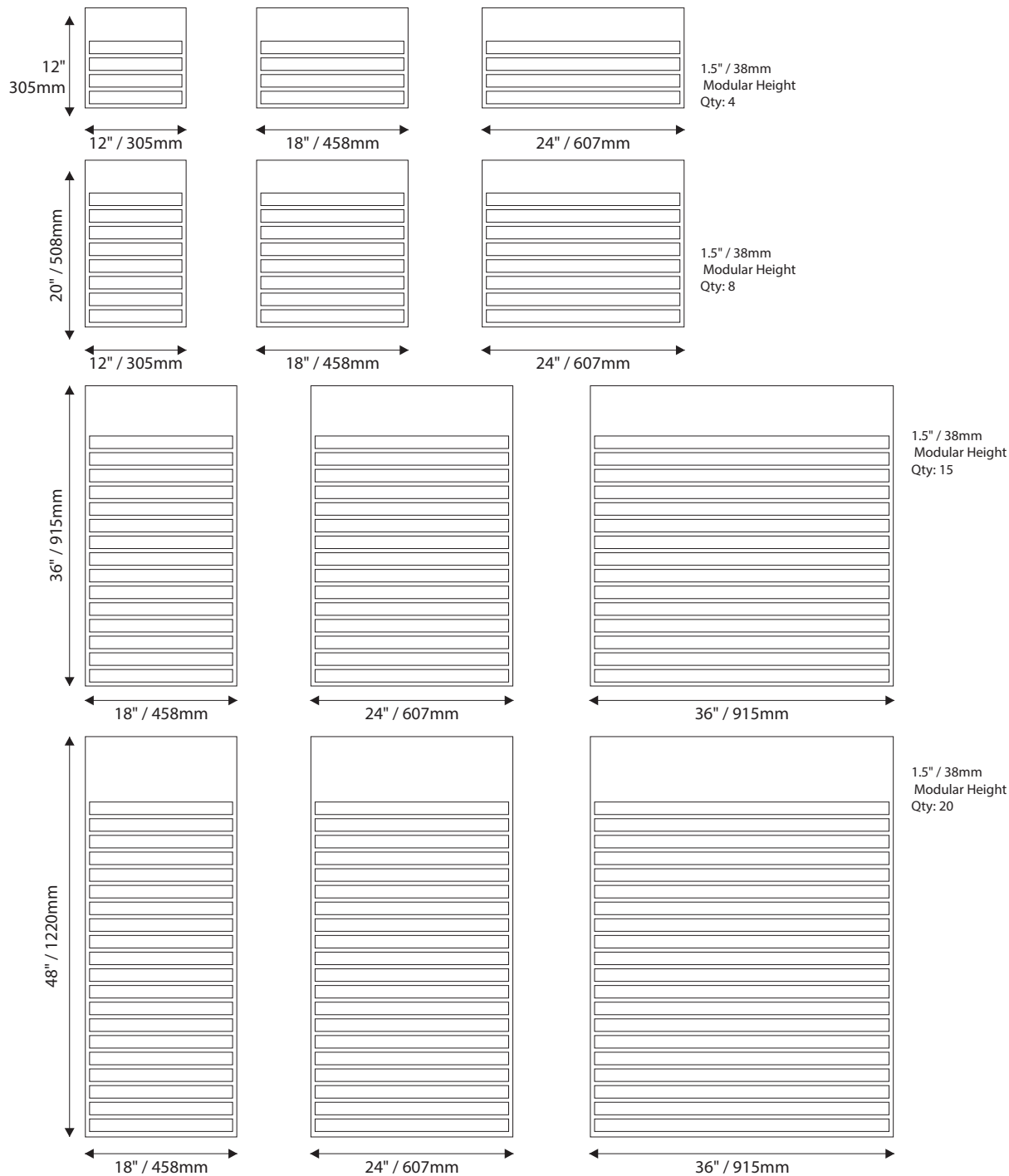
- Slider Displays are available in height of 1" (25mm) , 1.5" (38mm) and 2" (51mm)
- Slider displays are 1" (25mm) less the sign width.
- Slider display are printed to match the finish of the sign face.
- All slider display text is permanent and can not be changed or updated.

IPC1543/REV.3

# Standard Sizes

# Phoenix Collection

## Directories - Palladium Rigid Vinyl Sheet



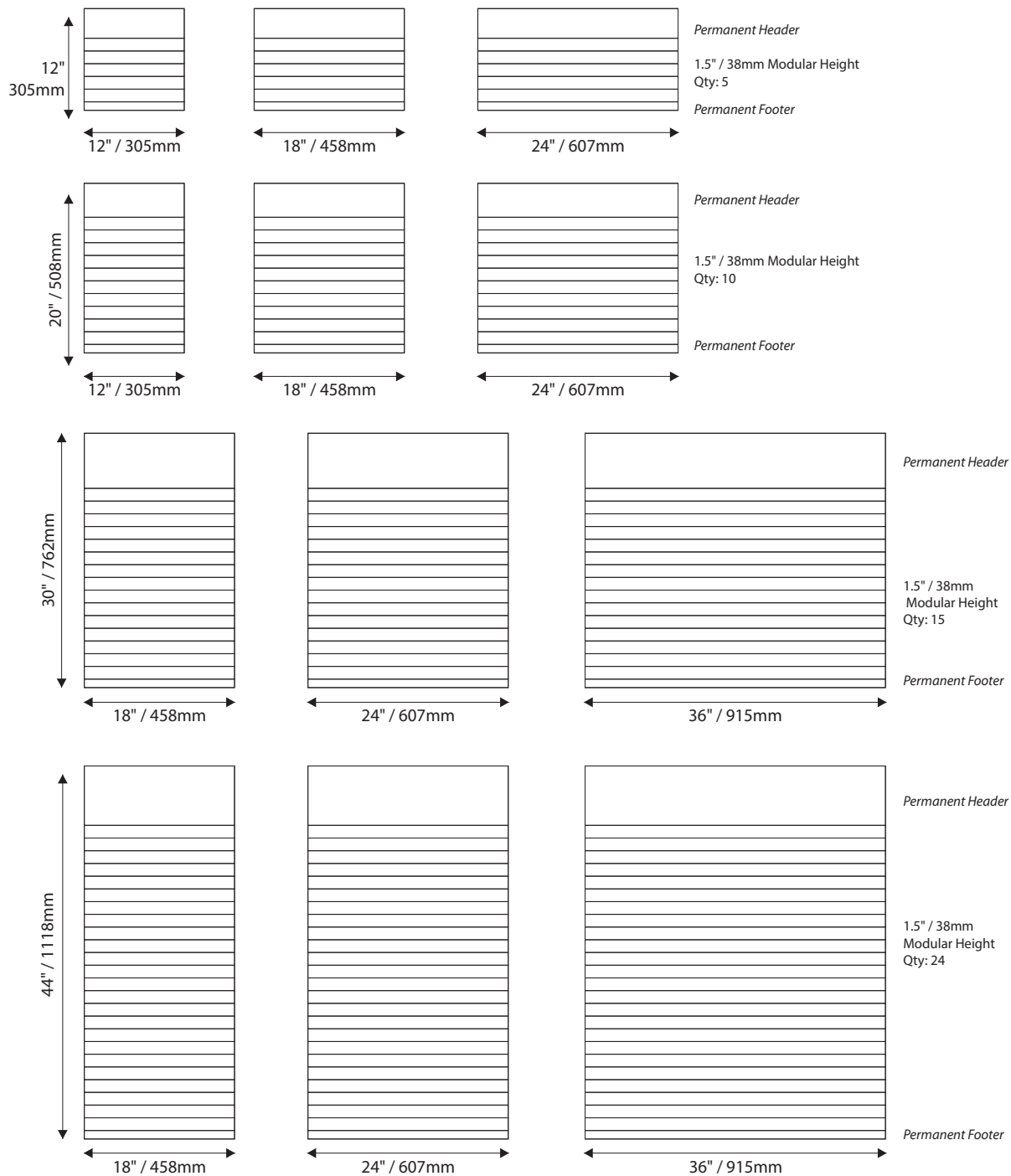
IPC1543/REV.3



# Standard Sizes

# Phoenix Collection

## Directories - Digital Print

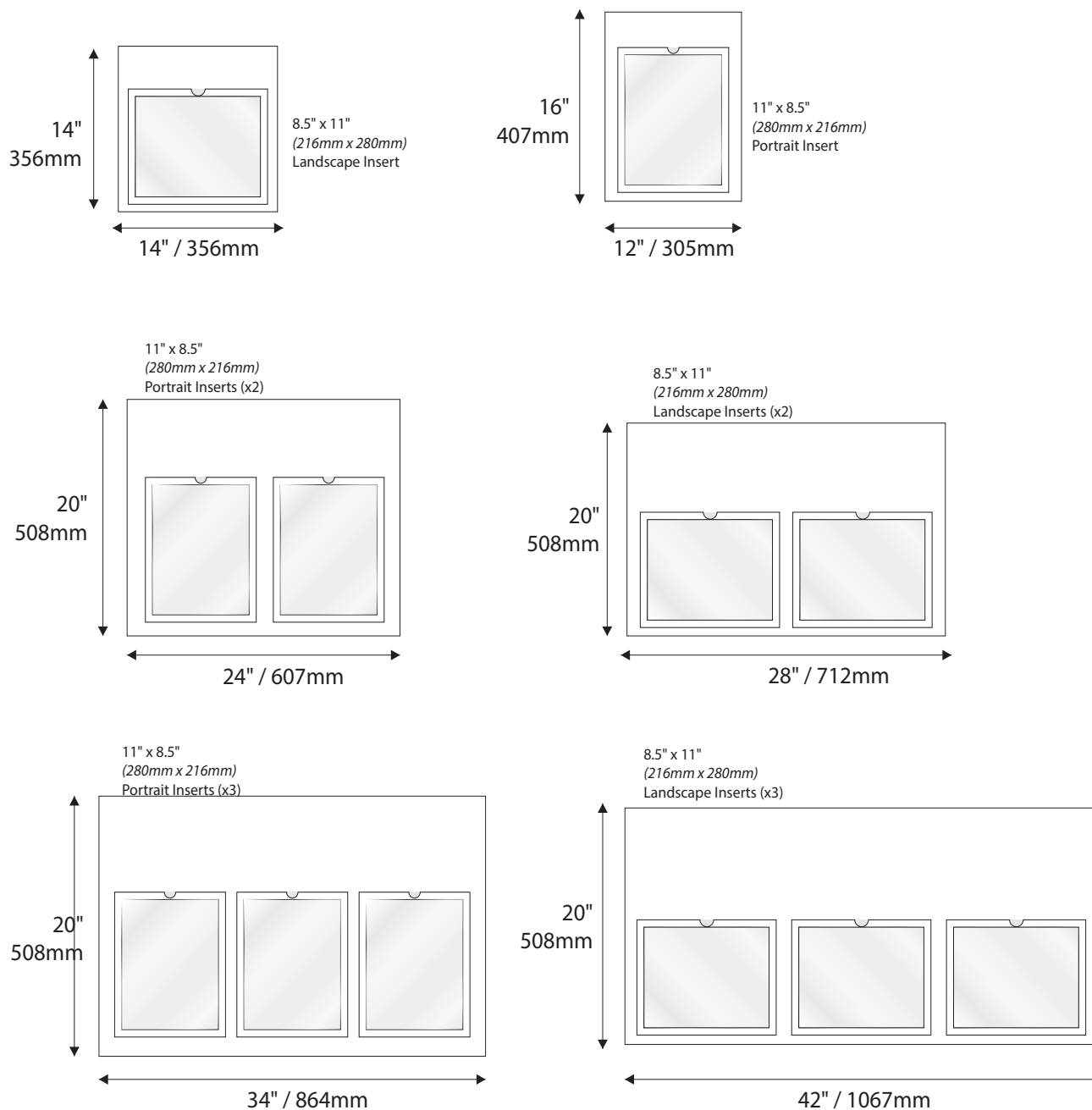


IPC1543/REV.3

# Standard Sizes

# Phoenix Collection

## Magnetic Modular Windows



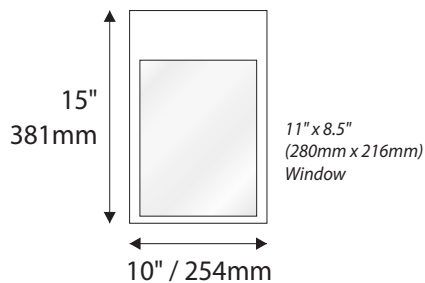
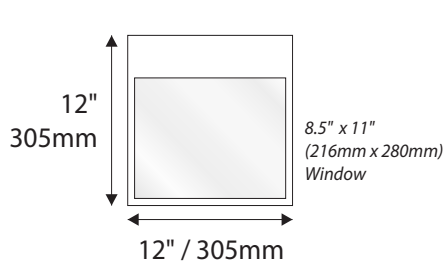
IPC1543/REV.3

# Standard Sizes

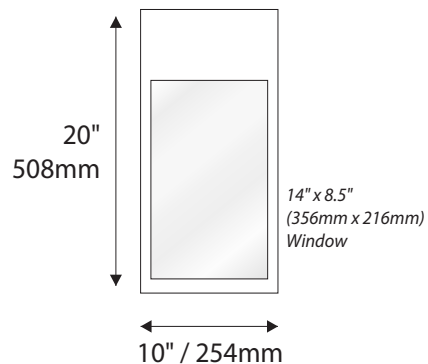
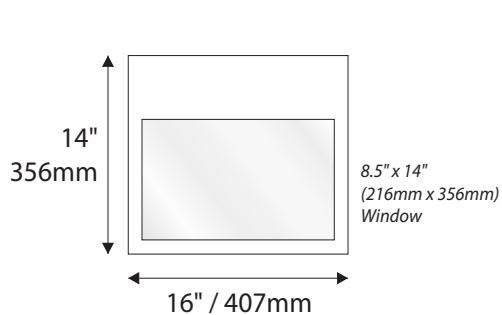
# Phoenix Collection

## Informational Window Sign

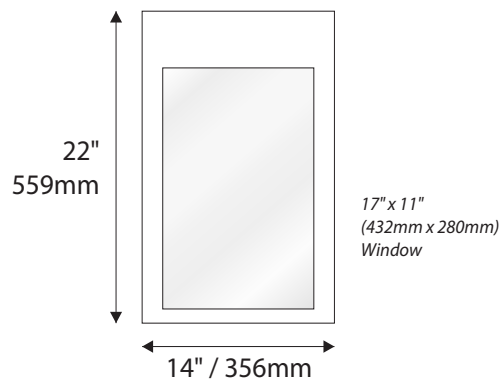
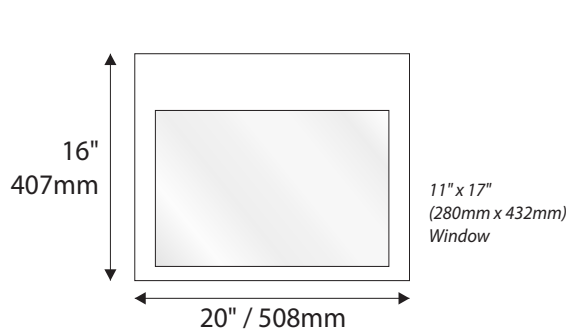
### Letter



### Legal



### Ledger/Tabloid

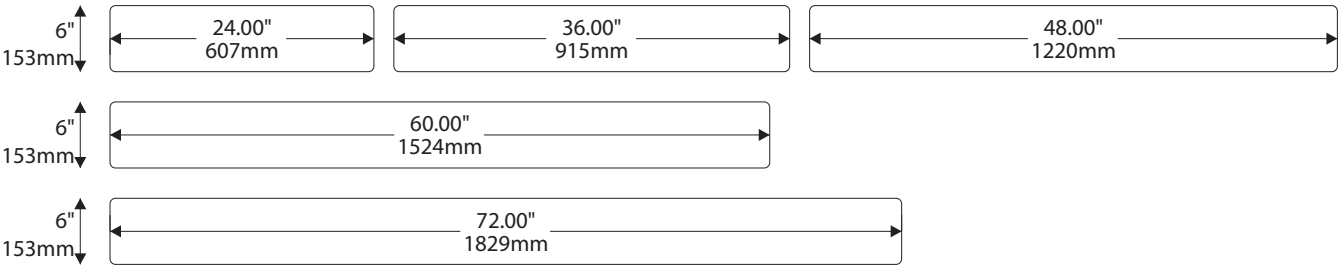


IPC1543/REV.3

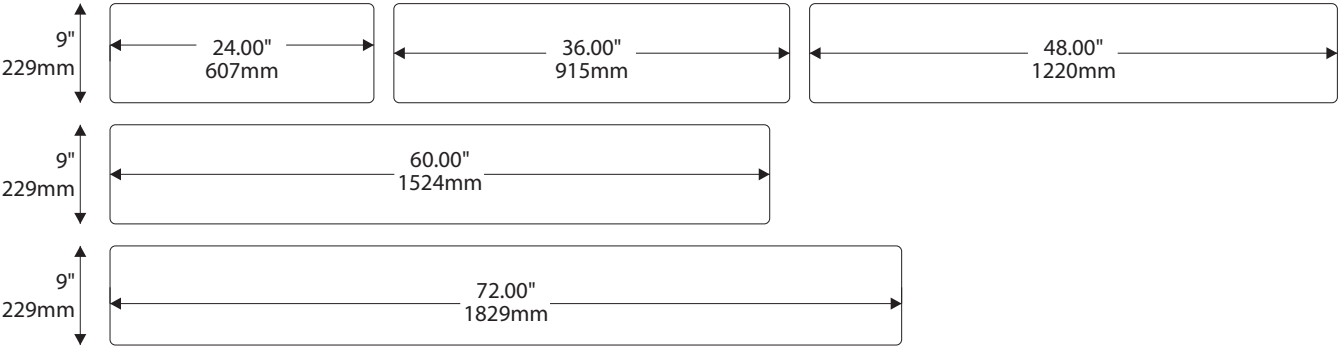
# Standard Sizes

# Phoenix Collection

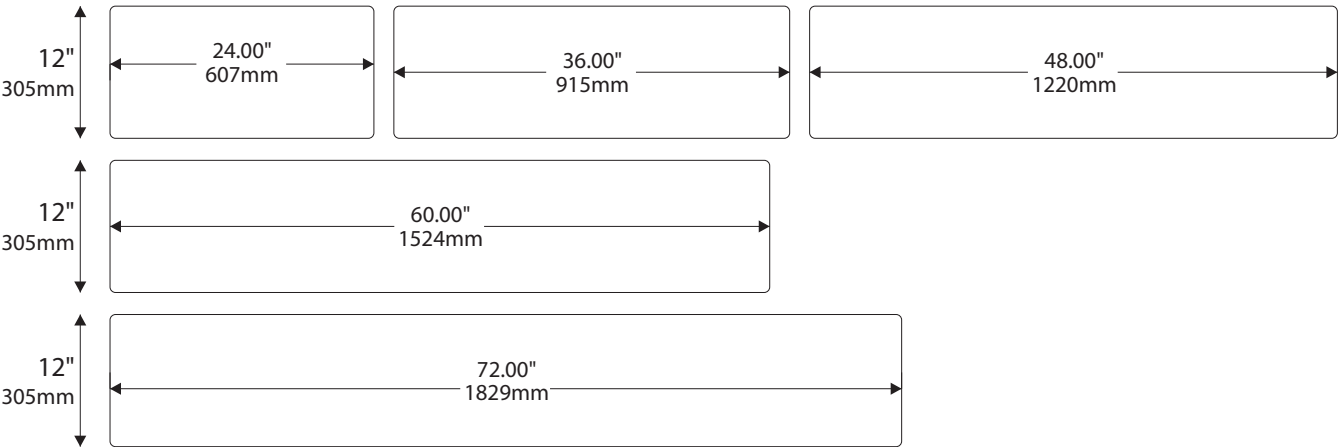
## Overhead (Ceiling) Mounted



6" H/ 153mm Overheads can accommodate up to (2) lines of 2" / 51mm Text



9" H/229mm Overheads can accommodate up to (3) lines of 2" / 51mm Text

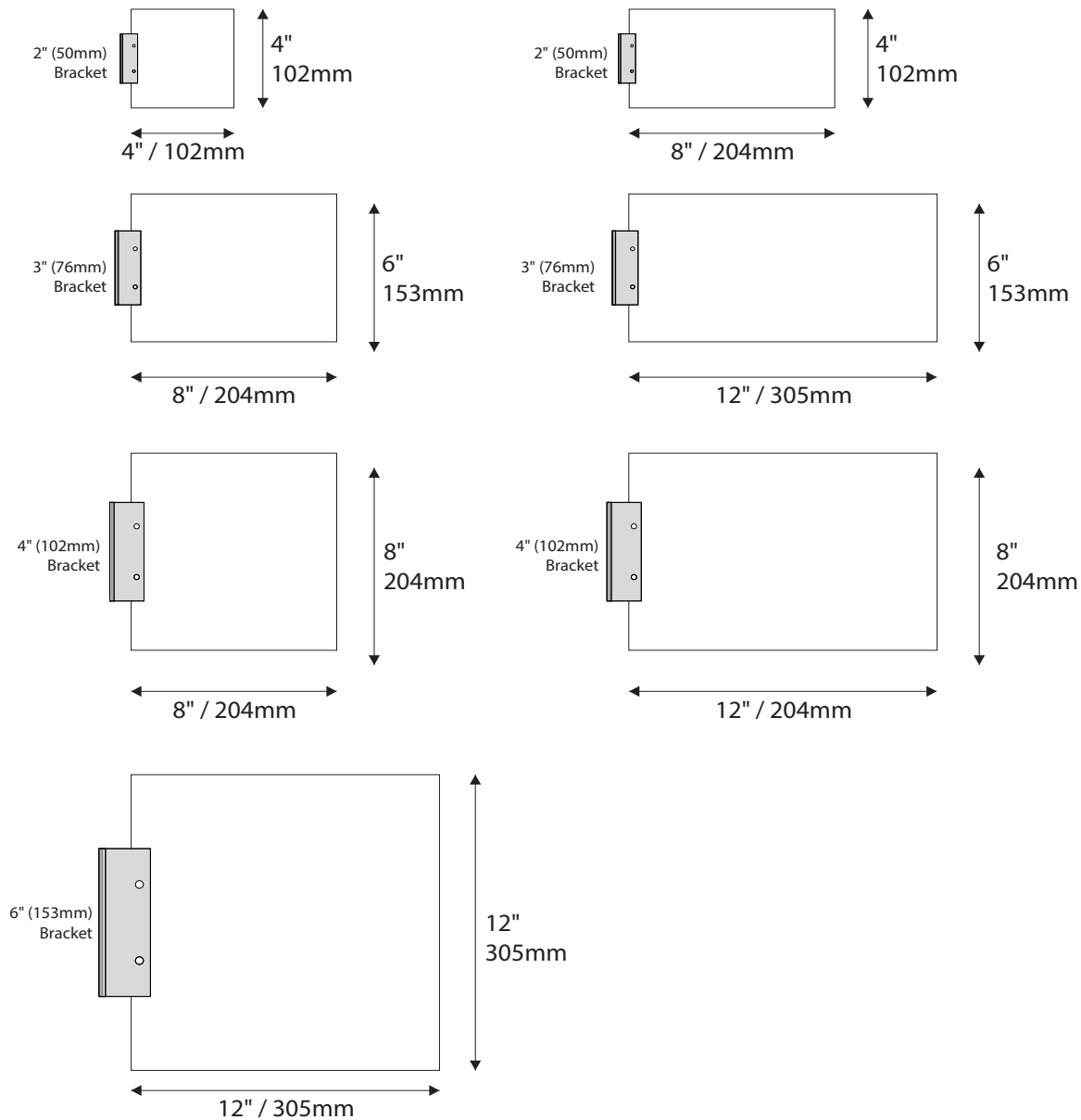


12" H/305mm Overheads can accommodate up to (4) lines of 2" / 51mm Text

# Standard Sizes

# Phoenix Collection

## Projection (Flag) Mounted



- All Projection Signs are double sided
- Alternate bracket sizes available upon request

IPC1543/REV.3