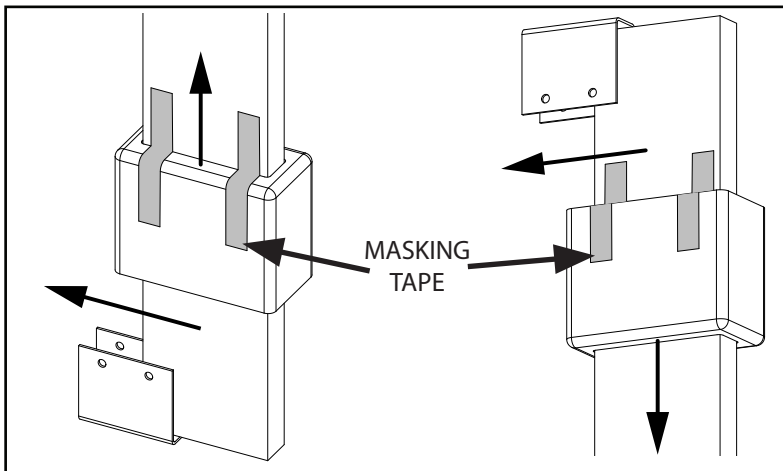


Installation Instructions

Prism™ Solid Surface Pilaster Shoes

Please read all instructions before installing products.

FIG. 1



1. Place the Solid Surface Pilaster Shoe onto the end of the pilaster before installing the pilaster.
2. Slide the pilaster shoe in from the end, far enough to clear the floor or ceiling mounting bracket, and tape in place with masking tape. *See Figure 1.*
3. Install the pilaster per the partition install instructions. *See Figure 2.*
4. Clean all mating surfaces with denatured alcohol.
5. Apply 3/8" diameter beads of silicone adhesive to the front and back of the pilaster. *See Figure 3.*

FIG. 2

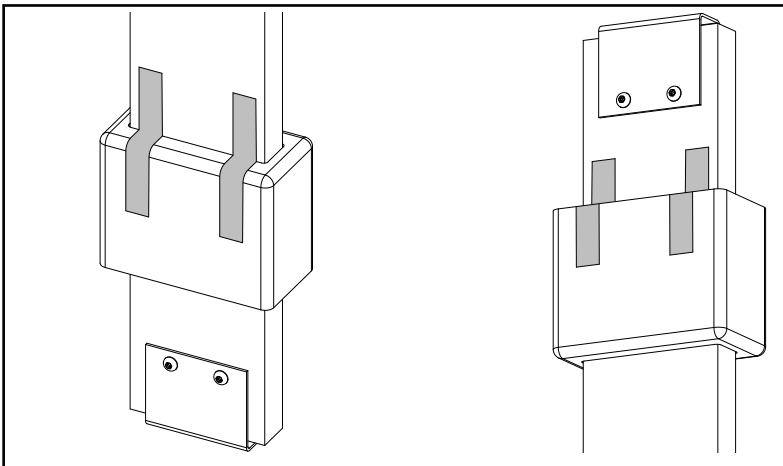
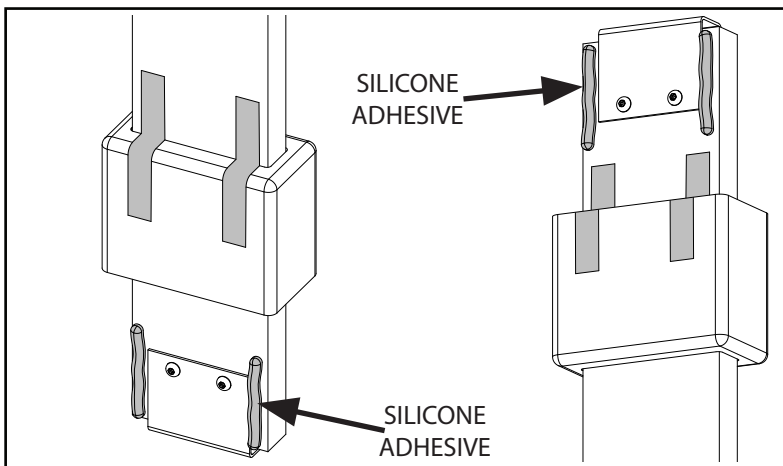


FIG. 3



IPC.3109/Rev.3

ENDURANT® Washroom Systems

inpro.com • 800.222.5556 • 262.679.9010

World Headquarters S80 W18766 Apollo Drive, Muskego, WI 53150 USA

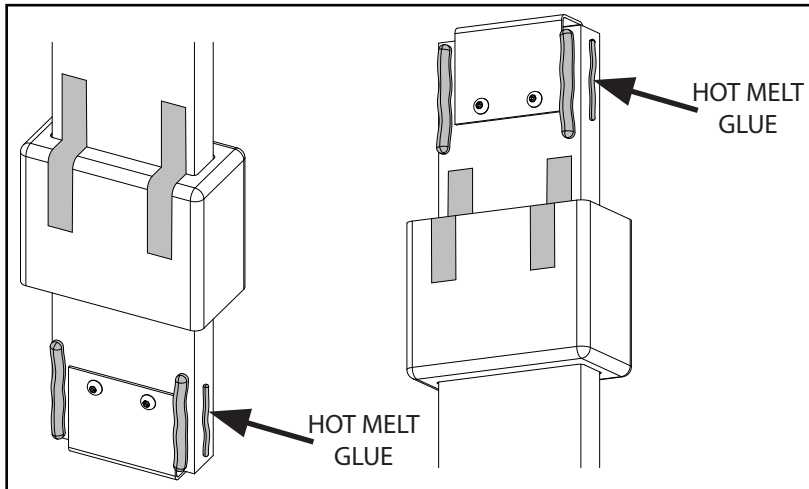
Installation Hotline: 866.394.6776

inpro®

Installation Instructions

Prism™ Solid Surface Pilaster Shoes

FIG. 4

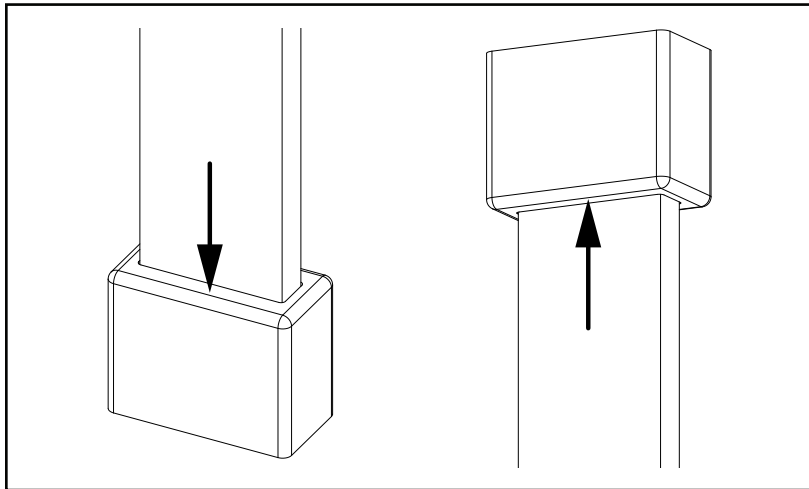


6. Apply beads of hot melt glue to both side faces of the pilaster. *See Figure 4.*
7. Remove the masking tape and slide the shoe into place over the mounting bracket and adhesive. Hold in place for 60 seconds or until the hot melt glue cures. *See Figure 5.*
8. If desired apply a bead of silicone along the perimeter of where the pilaster and shoe meet. *See Figure 6.*

Note:

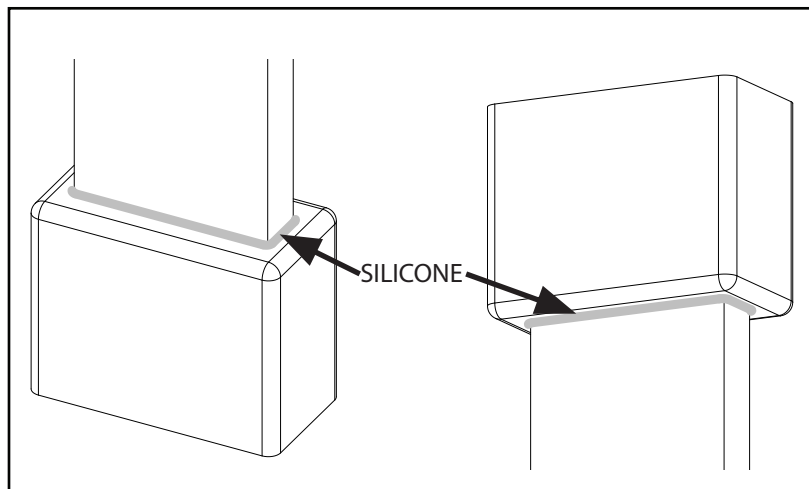
If you are using pick resistant color coordinated caulk (FastFill) please refer to the FastFill Installation Addendum.

FIG. 5



9. Clean up any excess silicone with denatured alcohol and a clean rag.

FIG. 6



ENDURANT® Washroom Systems

inpro.com • 800.222.5556 • 262.679.9010

World Headquarters S80 W18766 Apollo Drive, Muskego, WI 53150 USA

Installation Hotline: 866.394.6776

inpro®