

Prism™ Solid Surface Installation Instructions Oval Recessed Soap Dish

Please read all instructions before installing products.

FIG. 1
Transfer
Template
to Wall

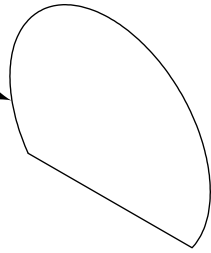


FIG. 2

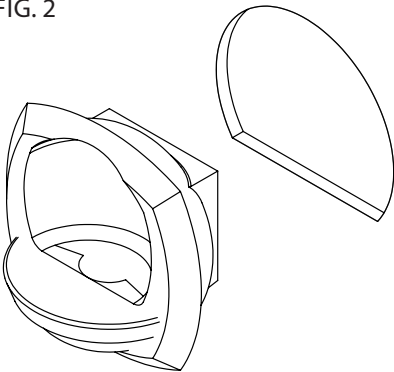


FIG. 3
Silicone
Adhesive

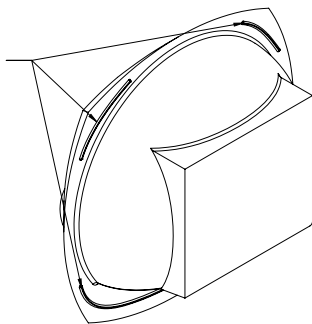


FIG. 4

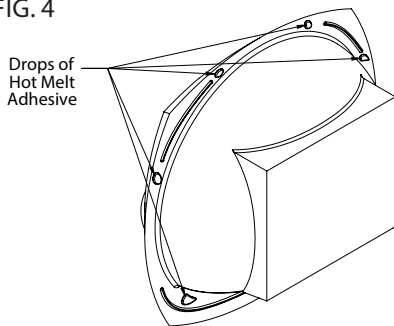


FIG. 5

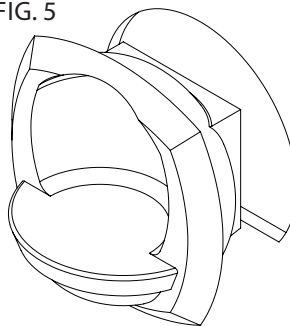
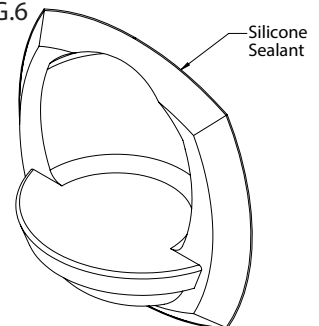


FIG. 6



1. Determine the soap dish location on the wall. Avoid locating where a stud may interfere.
2. Transfer the template to the wall. *See Figure 1.*
3. Drill a 3/8" hole in each corner of the template. Using a jigsaw, cut a hole in the wall, following the template. Dry fit the soap dish in opening. Use a level, across the soap dish, to ensure proper placement. Trace guide lines on panel, for alignment when gluing in place. *See Figure 2.*
4. Apply beads of silicone adhesive to the back flange of the dish, leaving room for hot melt glue. *See Figure 3.*
5. Apply hot melt glue to several locations on the back of the dish. *See Figure 4.*
6. Immediately position the dish in the wall cavity, making sure the dish is level. Remove any excess adhesive with de-natured alcohol. Secure the soap dish to the wall with tape, until the adhesive cures. *See Figure 5.*
7. Lay a bead of silicone around the perimeter, where the dish meets the wall. Clean-up excess silicone with de-natured alcohol. *See Figure 6.*

Note:

If you are using pick resistant color coordinated caulk (FastFill) please refer to the FastFill Installation Addendum.

IPC.1322/REV.6

ENDURANT® Washroom Systems

inpro.com • 800.222.5556 • 262.679.9010

World Headquarters S80 W18766 Apollo Drive, Muskego, WI 53150 USA

Installation Hotline: 866.394.6776

inpro®