

Prism™ Solid Surface

Installation Instructions Shower Wall

Please read all instructions before installing products.

STORAGE:

Prism™ wall cladding must be stored flat and fully supported with no sagging or bowing. The pallets that Prism™ wall cladding are shipped on are ideal for storing the wall cladding as long as they remain in good condition and can maintain a flat level surface. It is imperative that the panels remain as flat as possible in order to avoid damage. Prism™ must be stored in a dry and well ventilated area between 55°-75°F.

BEFORE INSTALLATION:

Check for damage that may have occurred in transit. Store materials in an environmentally controlled area, 24 hours before installation. Confirm that the sizes, styles/models and colors are the same as your order. Check all specifications to ensure that you have the right material for the job. Shower packages are not intended to be used as steam units. *Prism™ Shower Wall Panels should be installed fully supported on a solid, moisture resistant substrate.* To ensure that seams line up and are as inconspicuous as possible, ensure that the substrate and sub-wall are flat, plumb, and square.

When installing shower wall panels, ensure back of panel is no more than 1/16" from wall substrate.

RECOMMENDED TOOLS:

Tape Measure, belt sander with #24 or #36 grit sand paper, Heavy duty electric drill with carbide or high speed steel bits, denatured alcohol, circular saw with carbide tipped blade (for Prism™ Solid Surface), safety glasses, dust masks, caulking gun, level, flat file, buffer, paper towels, masking tape, and grease pencil.

If needed: scotch brite pads, 250ml hard seam adhesive dispenser, extra hard seam mixing tips

USING TOOLS:

Sawing: Cut only on finished side (front) using wide masking tape to protect finished surfaces from scratching or chipping.

Drilling: Drill from finished side (front) of material.

Sanding: DO NOT cut or sand exposed factory edges.

Always saw, drill or sand with the material properly supported. The shipping pallet is an ideal work surface.

ADHESIVES AND SEALANTS:

Translucent 100% Silicone

Color Matched Silicone (if specified)

Pick Resistant Color Coordinated Caulk - FastFill (if specified) - Please refer to the FastFill Installation Addendum.

Color Matched Hard Seam Adhesive (if specified)

PRIMING:

Certain colors may have translucent or semi-transparent properties which will require the substrate to be primed with latex primer to prevent dark areas from showing through the sheet.

The following primers are recommended by Inpro® Corporation when adhering Prism™ using BOSS 385, 100% silicone adhesive for Prism™ Solid Surface vertical wall applications.

- Sherwin Williams PrepRite® Pro Block® Interior /Exterior, Latex Primer /Sealer
- Sherwin Williams ProMar® 200 Zero VOC Interior Latex Primer
- KILZ Clean Start® Primer/Sealer/Stain blocker

Using other paints or primers may cause discoloration or adhesion problems.

Liquid Water Proofing Membranes and Waterproofing Membrane Films - Not all waterproofing membranes will work with silicone sealants/adhesives. It is the installers' responsibility to confirm that the silicone sealant/adhesive will adhere to the waterproof membrane.

ROUGH-IN SPECIFICATIONS:

Refer to shower receptor detail drawings for dimensions.

IPC.1312/REV.14

ENDURANT® Washroom Systems

inpro.com • 800.222.5556 • 262.679.9010

World Headquarters S80 W18766 Apollo Drive, Muskego, WI 53150 USA

Installation Hotline: 866.394.6776

inpro®

Prism™ Solid Surface Installation Instructions Shower Wall

FIG.1

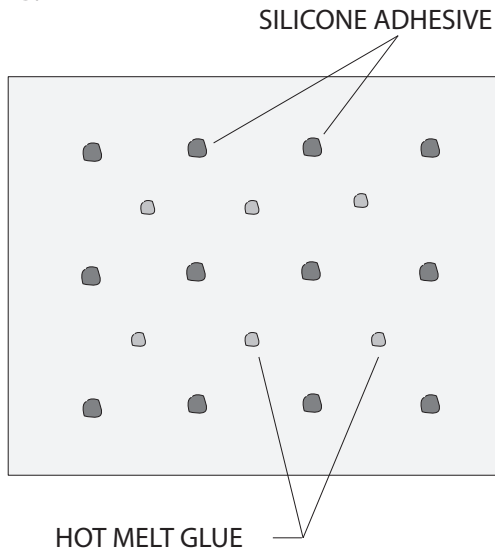


FIG.2

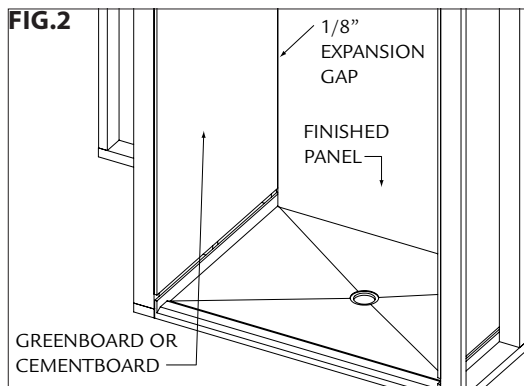
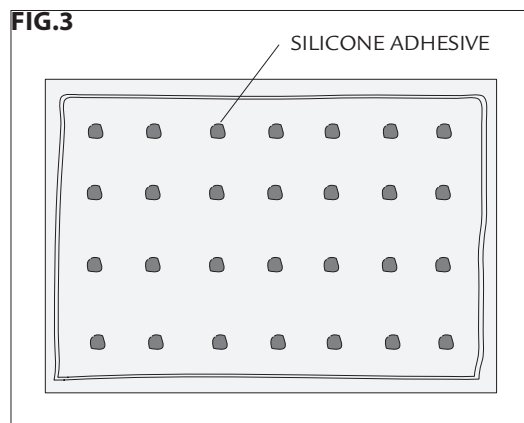


FIG.3



Note:

- Clean and prime wall substrate if needed before installing Prism™ panels. Dark or uneven colors on the wall substrate may cause ghosting of the substrate through the wall panels.
- When installing ceiling panels, install these panels before any wall panels.
- DO NOT install ceiling panels where there will be excessive moisture or heat.
- When sanding or cutting panels, always support panels properly.
- DO NOT trim the finished edges of panels.
- When installing panels in a wall to wall condition leave an 1/8" gap for expansion and contraction.
- Drill from the face side to prevent chipping of the finished surface.
- Cutting may be done from the front face if the surface is protected with masking tape.

INSTALLATION OF CEILING PANEL (if used)

1. Check the dimensions of the ceiling panels. Trim panels to size if necessary.
2. Place drops of adhesive on the panel. Immediately before positioning the panel apply hot melt glue. *See Figure 1.*
3. Position the panel on the ceiling and brace the panel with a support from floor to ceiling. Allow adhesive to cure for 24 hours before removing the brace and installing the wall panels.

INSTALLATION OF THE SHOWER BACK WALL

1. Measure the back wall, cut to size leaving an 1/8" gap between the two walls for expansion. *See Figure 2.*

Note:

- When installing Prism™ Solid Surface Decorative Panels on a receptor that is not level, scribe and cut the bottom edge to keep tile lines level and plumb. Keep side panels and back panel tile lines aligned.
2. Wipe the back of the panels, using denatured alcohol, making sure they are clean, dry, and free of dirt and grease. Apply a bead of silicone adhesive, on the wall, within 3" of the perimeter of the panel and quarter-coin-sized drops of silicone adhesive spaced 8-10" apart over the remaining field. *See Figure 3.*
 3. Position the panel on the wall and press into place.

Prism™ Solid Surface Installation Instructions Shower Wall

FIG.4

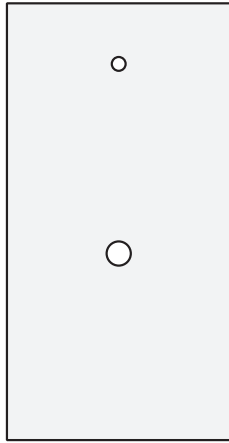
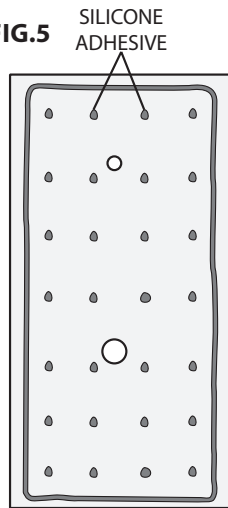


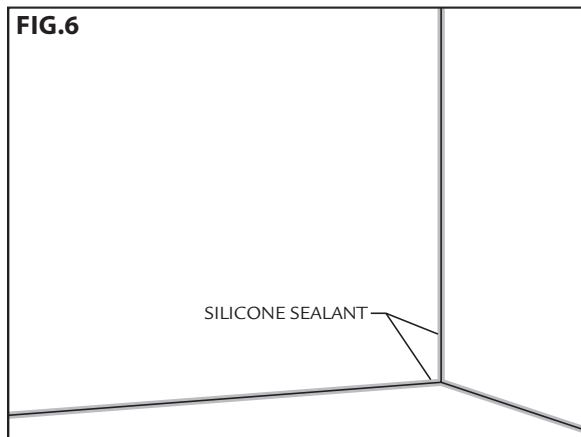
FIG.5



INSTALLATION OF SIDE PANELS

1. Mark the side panels for the location of any plumbing fixtures.
2. Drill or cut holes of an appropriate size at the marked locations. *See Figure 4.*
3. Wipe the back of the panels making sure they are clean, dry, and free of dirt and grease. Apply a bead of silicone adhesive, on the wall, within 3" of the perimeter of the panel and quarter-coin-sized drops of silicone adhesive spaced 8-10" apart over the remaining field. Apply a solid band of silicone adhesive on the outer edge of each side panel to provide added support for shower door installation. *See Figure 5.*
4. Position the panel and press into place. Brace panels for 24 hours after installation.
5. Caulk perimeter joints and all seams using silicone sealant or color matched caulk. Clean up excess caulk with denatured alcohol. *See Figure 6.*

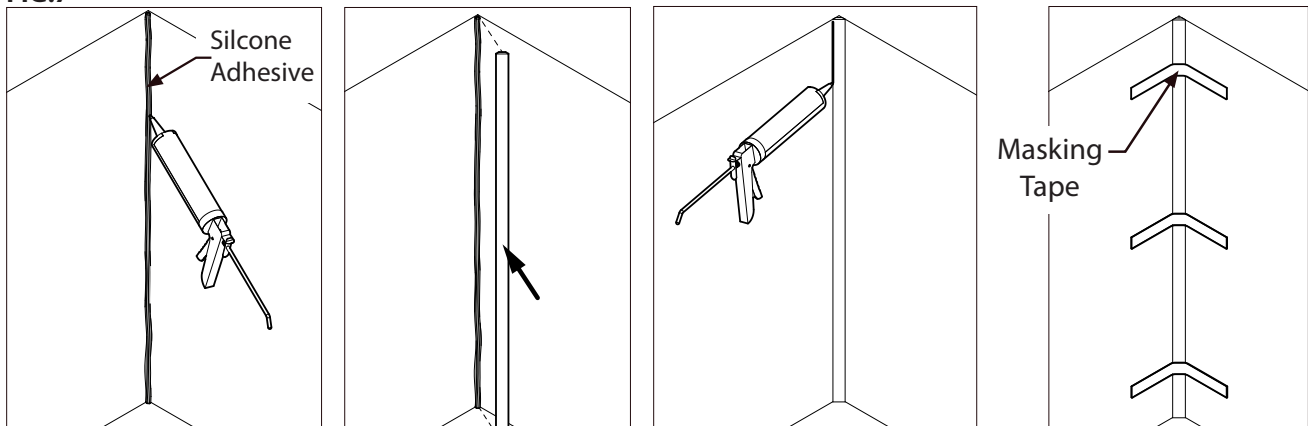
FIG.6



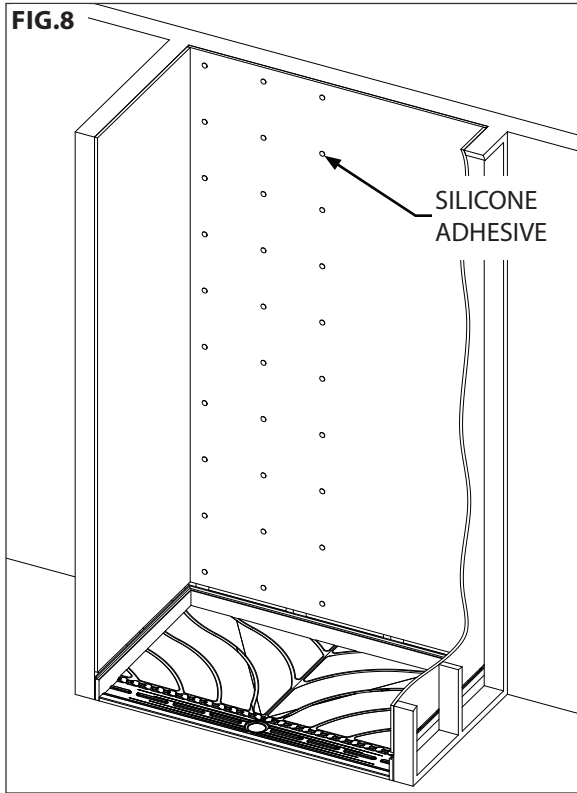
INSTALLATION OF TRIM (if used) (Figure 7)

1. Cut the trim to the required length.
2. Apply silicone adhesive to the wall where the trim will be installed.
3. Firmly press the trim into place.
4. If needed/desired, apply a bead of silicone around the perimeter of where the trim meets the wall.
5. Remove excess silicone adhesive with denatured alcohol.
6. Use masking tape to hold the trim in place until the silicone cures.
7. Allow silicone to completely cure before use.

FIG.7



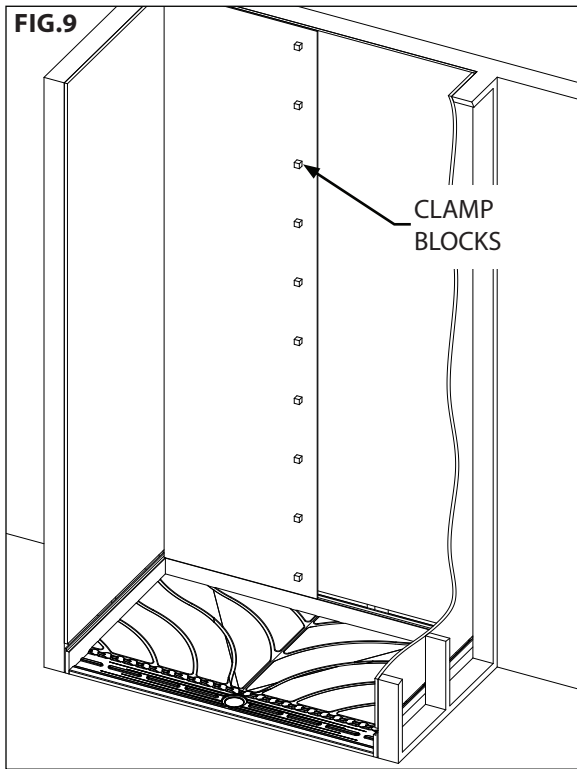
Prism™ Solid Surface Installation Instructions Shower Wall



VERTICAL HARD SEAM (if applicable)

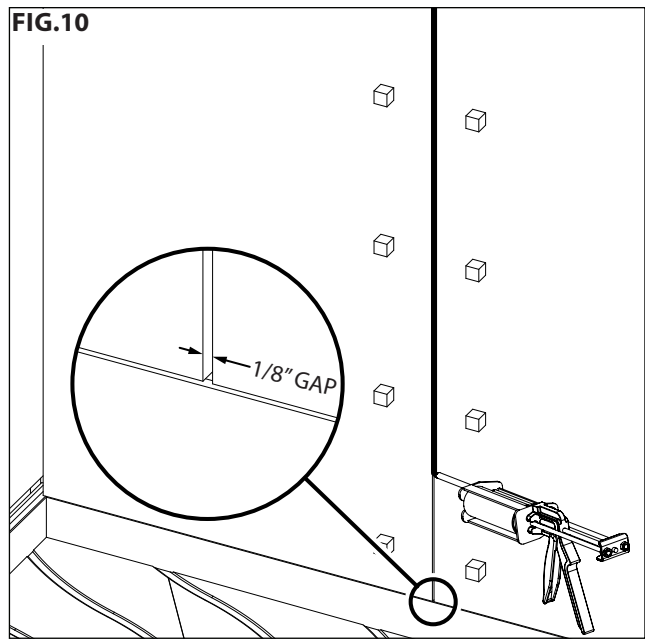
Note:

- Cut edges straight and square or use factory furnished Wavy Edge.
 - Wavy Edge is only available on 1/4" thick wall panels.
1. Apply quarter coin-sized drops of silicone adhesive to the wall where the first panel will be installed. Space the silicone 4" from each edge and every 8" to 10" over the rest of the field. *See Figure 8.*
 2. Position the first panel on the wall and press it into place. Hot melt glue may be used to hold the panel in place on uneven surfaces while the silicone cures.
 3. Apply clamping blocks made of wood to the surface of each wall panel with clear hot melt glue. Blocks should be 3" from each edge and at least every 6" over the length of the seam. *See Figure 9.*
 4. Apply quarter coin-sized drops of silicone adhesive to the wall where the second panel will be installed.
 5. Position the second panel on the wall and press it into place, leave a 1/8" gap in between the panels.
 6. Apply two-part color matched hard seam adhesive in a uniform bead to the entire seam. *See Figure 10.*



Note:

- Before applying hard seam adhesive, purge a small amount of adhesive through the tip to ensure that the adhesive is properly mixed.



ENDURANT® Washroom Systems

inpro.com • 800.222.5556 • 262.679.9010

World Headquarters S80 W18766 Apollo Drive, Muskego, WI 53150 USA

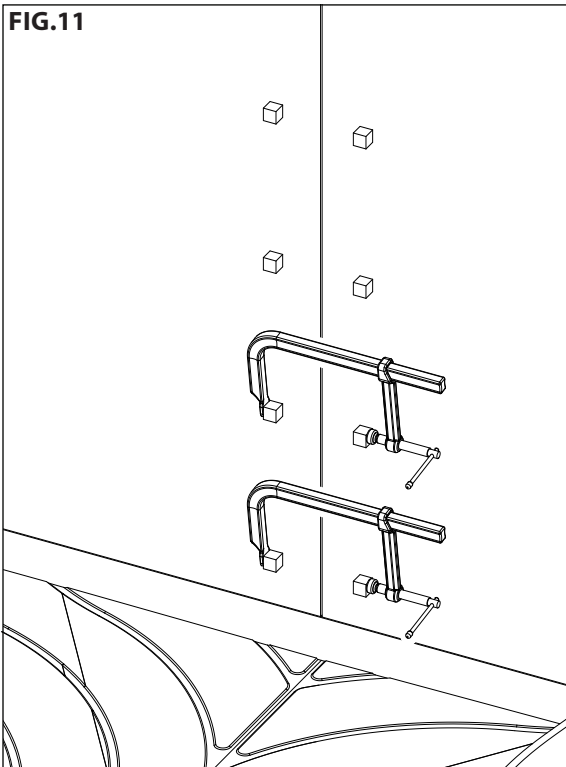
Installation Hotline: 866.394.6776

inpro®

Prism™ Solid Surface

Installation Instructions Shower Wall

FIG.11



7. Clamp the seam together across the wood blocks until some of the adhesive squeezes out to form a uniform bead along the entire seam. *See Figure 11.*

Note:

- Do not tighten the clamps too tight, this can starve the seam of adhesive. You want a minimum of 1/32" to 1/16" of adhesive between the panels.
- Vacuum Clamps may also be used in place of the wood blocks and clamps.

12. Allow the adhesive to cure. (30-60min.)

13. Remove the clamps and clamping blocks.

14. Using a random orbital sander, sand off the excess adhesive and blend it into the existing panel finish. *See Figures 12.*

Note:

- Move the sander in an orbital pattern and over lap 50% per pass. Keep the sander moving so you don't over heat the seam, over heating the joint can weaken or wreck the bond.

FINISHING STEPS

Prism™ Class A & A1 Colors - Matte Finish:

- Use a 100 micron sanding pad to remove excess material and even out the surface.

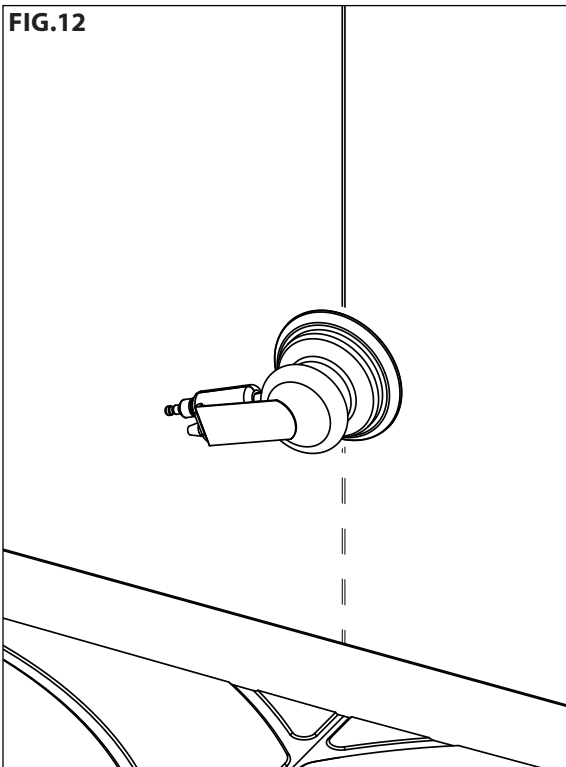
Prism™ Class B Colors - Satin Finish:

- Use a 100 micron sanding pad to remove excess material and even out the surface.
- Repeat the process with a 60 micron sanding pad.
- Use a Scotch-Brite® pad (#7447 Maroon, Very Fine, 320-400 Grit) under the sanding pad to even out the finish.
- Repeat the process with a Scotch-Brite® pad (#7448 Gray, Ultra Fine, 600-800 Grit).

Prism™ Acrylic Class C Colors - Satin Finish:

- Use a 100 grit sanding pad to remove excess material.
- Use a 320 grit sanding pad to even out the surface.

FIG.12



Prism™ Solid Surface Installation Instructions Shower Wall

Mounting On Top Of Shower Wall Panels (Figures 13A-13C)

- Prepare to install the shower wall panels per the shower wall panels installation steps.
- Add coils of silicone to the wall where any fixtures will be mounted. These coils are to cover an area larger than the fixture and be approximately 1/4" thick.
- Install the shower wall panels, allowing the silicone to cure for at least 24hrs.
- Install the fixture per the manufacturer's install instructions, hand tightening the fasteners only.

Note: Drill clearance holes slightly larger than the fastener, a 1/4" deep, to prevent damage to the shower wall panels.

Caution: Hand tighten mounting screws to avoid damaging shower wall panels. DO NOT TIGHTEN WITH POWER TOOLS.

