

# Prism™ Solid Surface Installation Instructions Shower Receptor/Base

for use with Standard ADA Receptors

---

Please read all instructions before installing products.

## **STORAGE & HANDLING:**

Check for damage that may have occurred during transit. Keep receptor flat on pallet, as it was shipped, until ready to install. Allow receptor to acclimate to room temperature (65°F - 75°F, 18°C - 23°C), for 24 hours, prior to handling. When handling, make sure to keep the receptor flat and level, use two people. A pallet jack or flat cart is recommended for transporting. *DO NOT LEAN RECEPTOR ON ITS SIDE. THIS WILL DAMAGE THE WATER BARRIER.*

## **BEFORE INSTALLATION:**

- Confirm that the size, styles, and colors are the same as your order.
- Confirm that your stud openings are the correct size, adjust where needed.
- Confirm that the sub-floor is level. If the sub-floor is out of level more than 1/4", level the floor with leveling compound or structural mortar. Allow the sub-floor to fully cure per the manufacturer's installation instructions before installing the shower pans.

## **RECOMMENDED TOOLS:**

Safety glasses, dust masks, tape measure, caulking gun, 2' (61 cm) or 4' (122 cm) level, 1/2" x 1/2" (12.7 mm) square notch trowel, core drill with 6" diameter bit.

## **MORTAR, ADHESIVES AND SEALANTS:**

Use thin-set type mortar for substrate deviations or voids less than 1/4" (6.35 mm). Apply enough mortar to fill all voids in substrate and level the receptor. For voids greater than 1/4" (6.35 mm), level the sub-floor, before installing the shower base.

**Sealants:** Translucent 100% Silicone Sealant or color matched caulk

## **ROUGH-IN SPECIFICATIONS:**

- Refer to website drawings for the drain location of each receptor.
- Stud opening should be larger than receptor, see table on pages 5 & 6.
- Minimum 6" Diameter Core Hole

---

IPC.3034/REV.11

ENDURANT® Washroom Systems

[inpro.com](http://inpro.com) • 800.222.5556 • 262.679.9010

World Headquarters S80 W18766 Apollo Drive, Muskego, WI 53150 USA

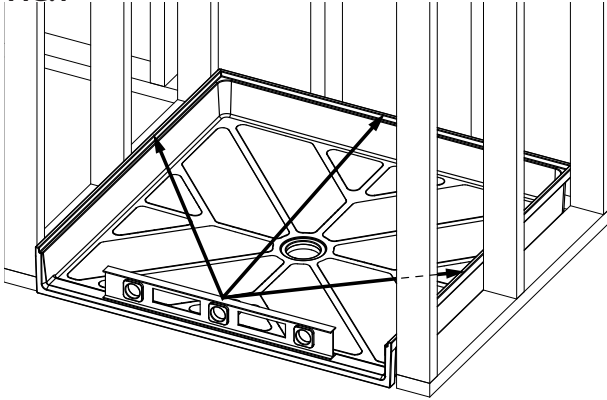
Installation Hotline: 866.394.6776

**inpro**®

# Prism™ Solid Surface Installation Instructions Shower Receptor/Base

for use with Standard ADA Receptors

FIG.1



## INSTALLATION OF THE SHOWER RECEPTOR/BASE

### Note:

- Receptor is installed before green board/cement board or other wall substrate.
- 6" core hole is required at drain location before receptor installation.

1. Using the 2' or 4' level (which ever fits in your opening), make sure the floor substrate is level in all directions.

2. Dry fit the receptor, there should be an even gap on all three sides (see pgs. 5 & 6) from the stud walls. For the brass drain assembly, cut the drain pipe flush with the bottom of the shower pan.

3. Using a level, check for level in the locations shown (i.e. side to side and front to back). See Figure 1.

### Note:

- If the floor is out of level more than 1/4", the floor will need to be leveled before installing the shower base.
- If you are leveling the floor, with liquid floor leveling compound or structural mortar, allow the sub-floor to fully cure per the manufacturer's installation instructions before installing the shower base.

4. Remove receptor from the opening. Mix the mortar. Apply enough mortar to fill all voids and fully support the entire receptor. See Figure 2.

5. Install drain assembly. See manufacturer's installation instructions and instructions on the following pages.

6. Return the receptor to the opening. Shift the receptor back-and-forth until it is embedded firmly in the mortar, ensuring that the base doesn't spring back up off of the mortar.

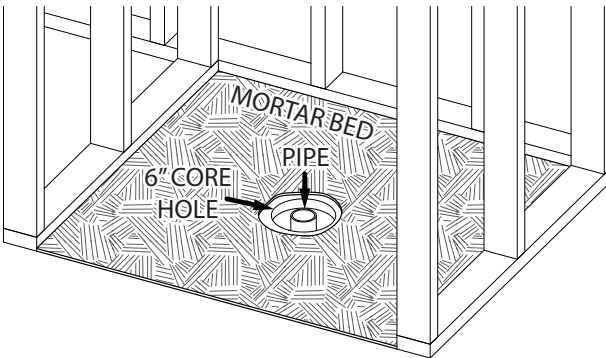
7. Check for hollow spots, reseal the pan as necessary to ensure proper adhesion.

8. Confirm that the receptor is still level in all directions. Adjust if necessary. See Figure 3.

### Note:

- Allow the thinset to fully cure, per the thinset manufacturer's recommended installation instructions, before finalizing the plumbing hookup or installing the substrate and wall cladding.
- Once the pan is embedded in the mortar, do not walk on the pan until the thinset is cured.

FIG.2



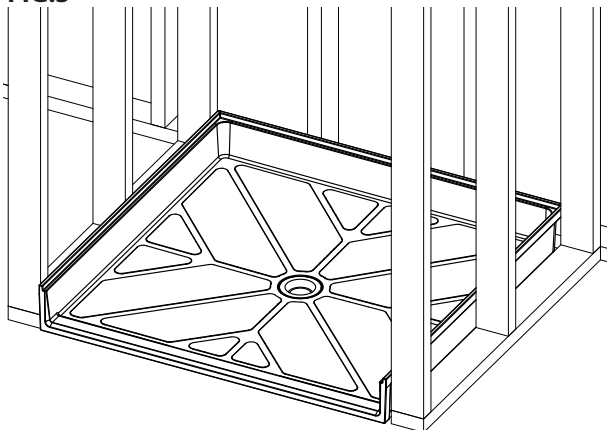
### WARNING:

- Pipe must be centered on the core hole, drain & drain ring must not contact the sub-floor.

### Note:

- Underside of receptor may vary from level no more than 1/4" due to the curing process.

FIG.3



ENDURANT® Washroom Systems

inpro.com • 800.222.5556 • 262.679.9010

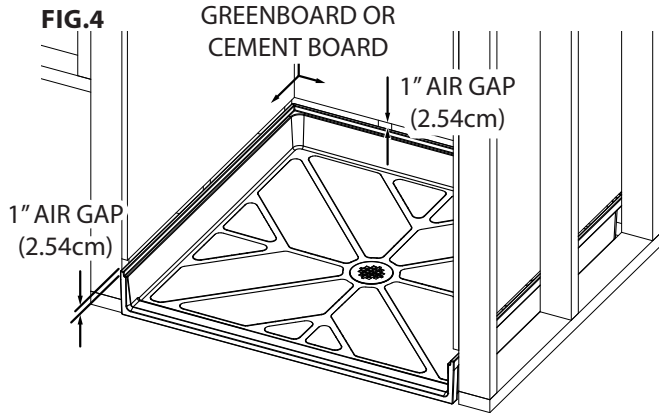
World Headquarters S80 W18766 Apollo Drive, Muskego, WI 53150 USA

Installation Hotline: 866.394.6776

inpro®

# Prism™ Solid Surface Installation Instructions Shower Receptor/Base

for use with Standard ADA Receptors

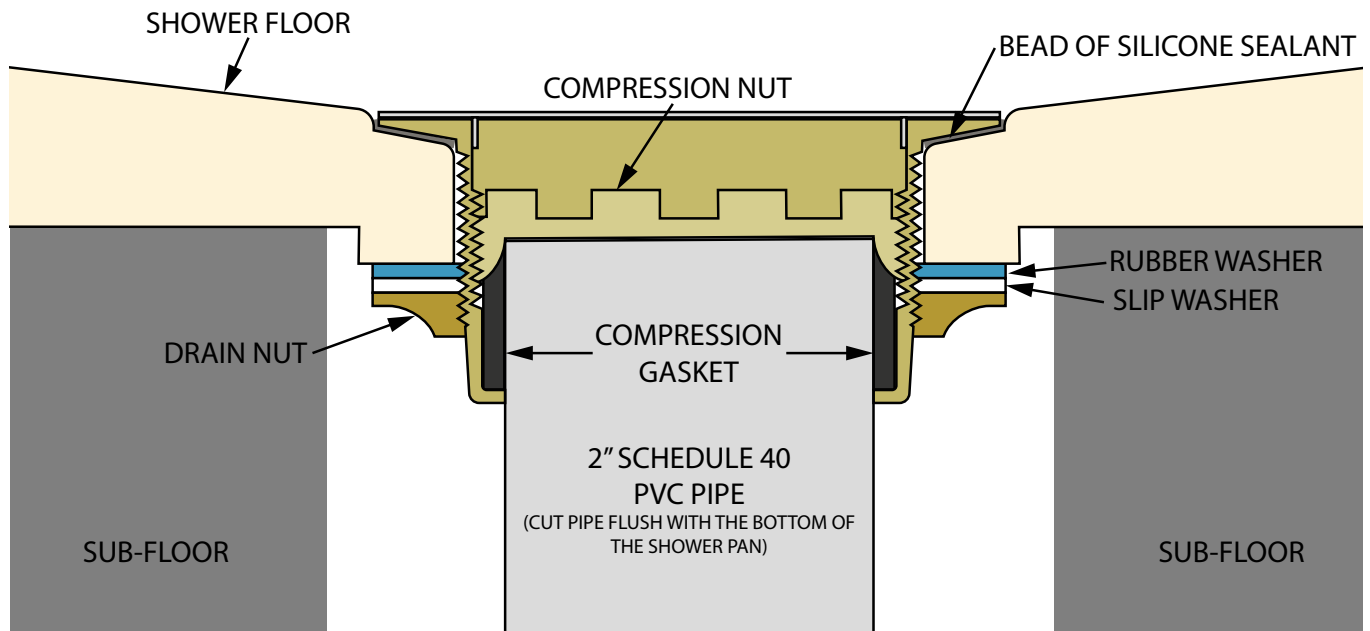


## INSTALLATION OF THE SHOWER RECEPTOR/BASE

9. Once the mortar cures, tighten the drain sleeve compression nut and install the strainer as shown in the drain assembly instructions.

10. Install green board/cement board or other wall substrate stopping 1" (2.54cm) above the water barrier. *See Figure 4.*

## DRAIN INSTALLATION



ENDURANT® Washroom Systems

[inpro.com](http://inpro.com) • 800.222.5556 • 262.679.9010

World Headquarters S80 W18766 Apollo Drive, Muskego, WI 53150 USA

Installation Hotline: 866.394.6776

**inpro**®

# Prism™ Solid Surface Installation Instructions Shower Receptor/Base

for use with Standard ADA Receptors

FIG.5

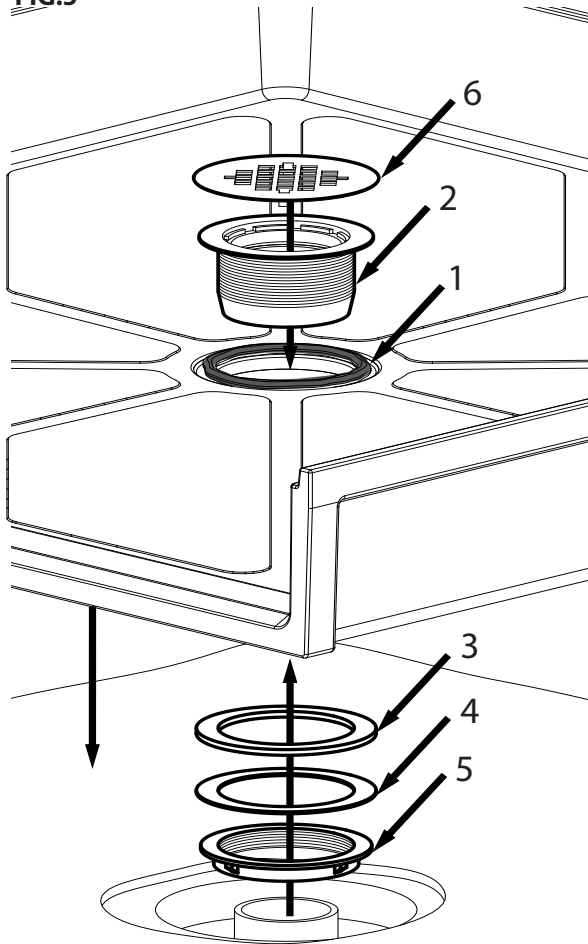
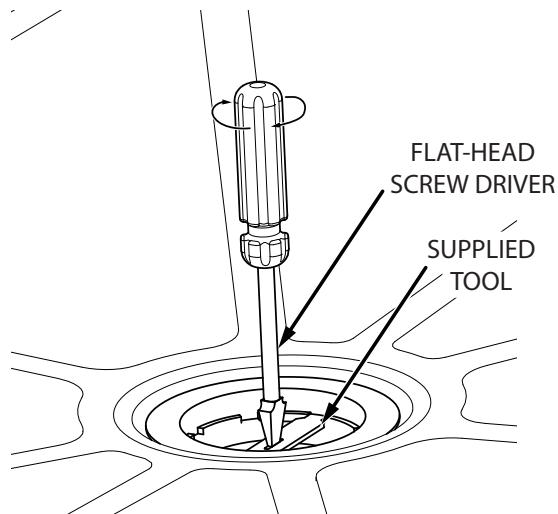


FIG.6



## DRAIN INSTALLATION INSTRUCTIONS

1. Apply a bead of silicone sealant to form a water tight seal. *See Figure 5 Item 1.*
2. Insert the drain body (*Figure 5 Item 2*) into the drain opening, apply light pressure to seat the drain body in the bead of silicone sealant.
3. Slide the rubber washer (*Figure 5 Item 3*) and fiber gasket (*Figure 5 Item 4*) onto the end of the drain body that is sticking out of the receptor base.
4. Thread the locking nut (*Figure 5 Item 5*) onto the end of the drain body, tighten the nut to secure the drain assembly to the receptor base.  
**Note:**
  - Do not over tighten the locking nut, this could crack the receptor base.
  - Clean any excess silicone that squeezes out with denatured alcohol and white paper towel or clean rags.
5. Carefully lower the receptor over the 2" (5.08cm) Schedule 40 DWV pipe. If you **DO NOT** have a 2" (5.08cm) Schedule 40 DWV pipe, you will need a different rubber sleeve compression gasket for the drain assembly. Please contact your local plumbing supplier.
6. Using the supplied tool and a flat-head screwdriver, tighten the compression nut to tighten the compression sleeve onto the drain pipe. *See Figure 6.*
7. Install strainer by centering the strainer on the drain body and pressing down firmly to seat the tangs onto the drain body. *See Figure 5 Item 6.*

ENDURANT® Washroom Systems

inpro.com • 800.222.5556 • 262.679.9010

World Headquarters S80 W18766 Apollo Drive, Muskego, WI 53150 USA

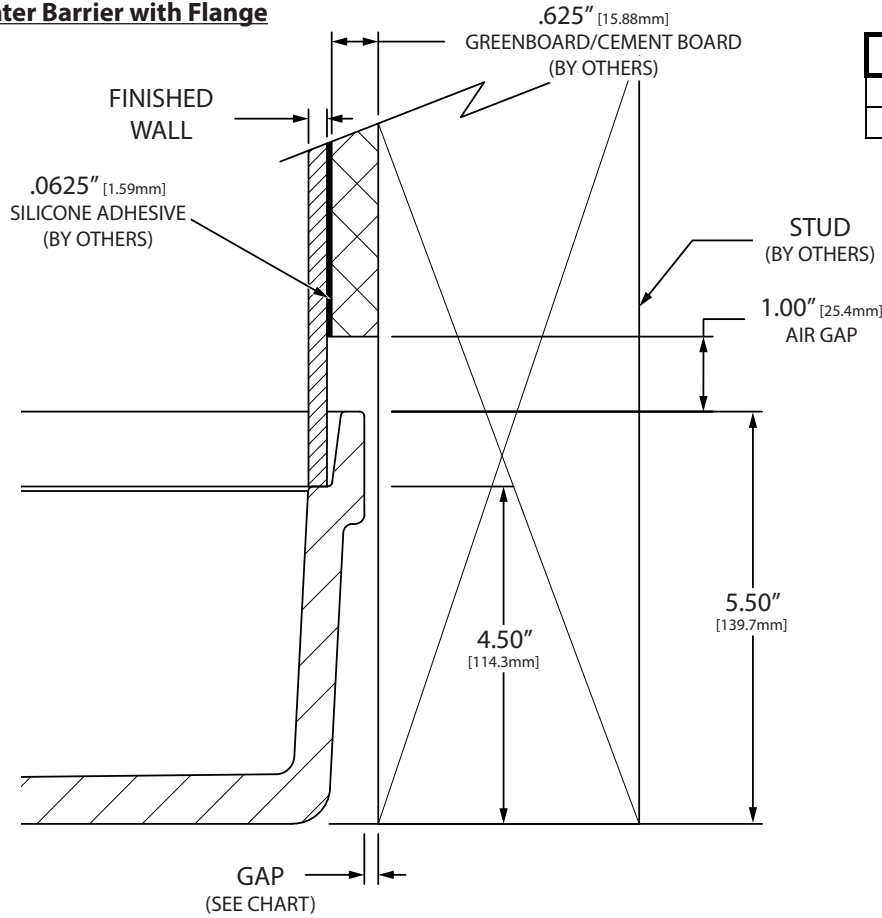
Installation Hotline: 866.394.6776

inpro®

# Prism™ Solid Surface Installation Instructions Shower Receptor/Base

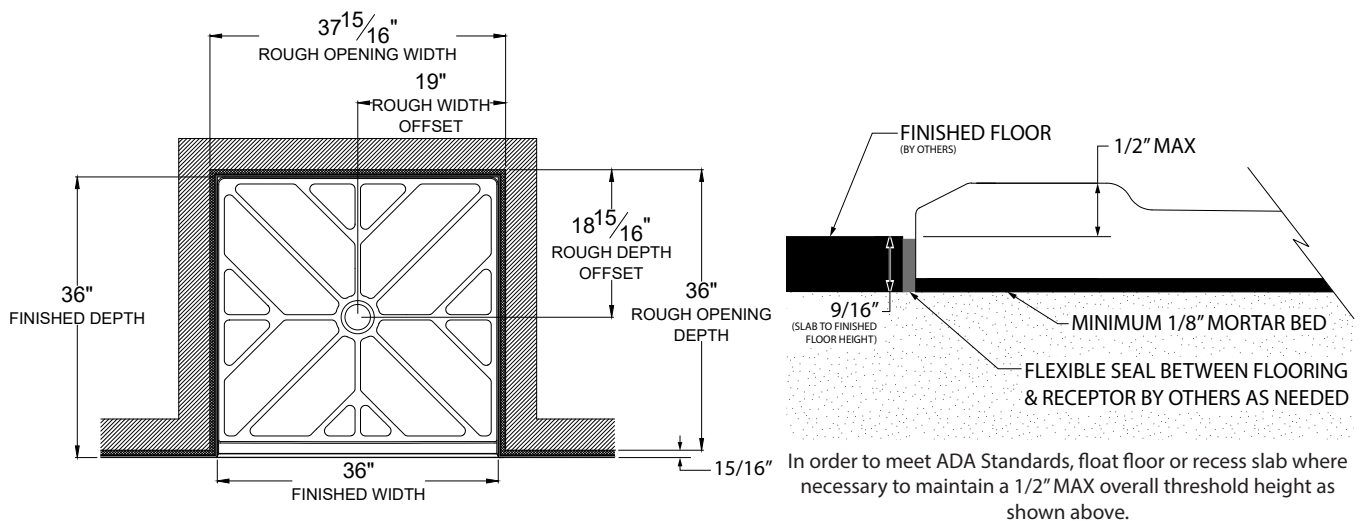
for use with Standard ADA Receptors

## Water Barrier with Flange



Receptor:	Typical Gap:
36x36 ADA Transfer Shower	3/16" [4.8mm]
60x30 ADA Roll-in Shower	1/8" [3.2mm]

## 36x36 ADA Transfer Shower



Finished width and depth assumes that you are using a 5/8" substrate, 1/16" thickness of silicone adhesive, & 1/4" thick Prism™ Wall Cladding both inside and outside the shower receptor. Adjustments may need to be made to compensate for different finished wall materials or variances due to manufacturing tolerances

ENDURANT® Washroom Systems

inpro.com • 800.222.5556 • 262.679.9010

World Headquarters S80 W18766 Apollo Drive, Muskego, WI 53150 USA

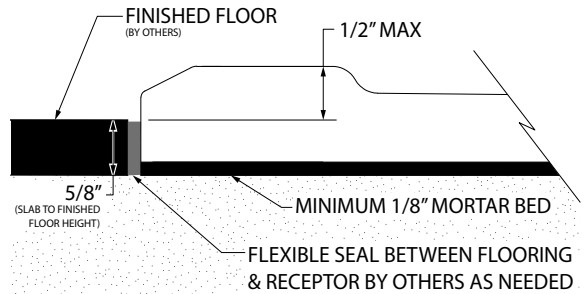
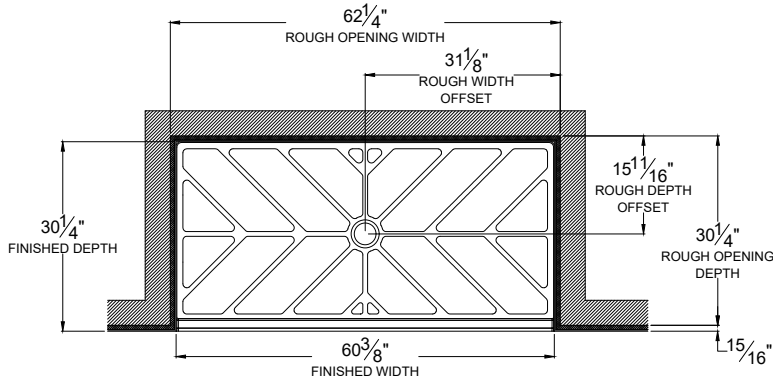
Installation Hotline: 866.394.6776

**inpro**®

# Prism™ Solid Surface Installation Instructions Shower Receptor/Base

for use with Standard ADA Receptors

## 60x30 ADA Roll-in Shower



In order to meet ADA Standards, float floor or recess slab where necessary to maintain a 1/2" MAX overall threshold height as shown above.

Finished width and depth assumes that you are using a 5/8" substrate, 1/16" thickness of silicone adhesive, & 1/4" thick Prism™ Wall Cladding both inside and outside the shower receptor. Adjustments may need to be made to compensate for different finished wall materials or variances due to manufacturing tolerances

ENDURANT® Washroom Systems

inpro.com • 800.222.5556 • 262.679.9010

World Headquarters S80 W18766 Apollo Drive, Muskego, WI 53150 USA

Installation Hotline: 866.394.6776

**inpro**®