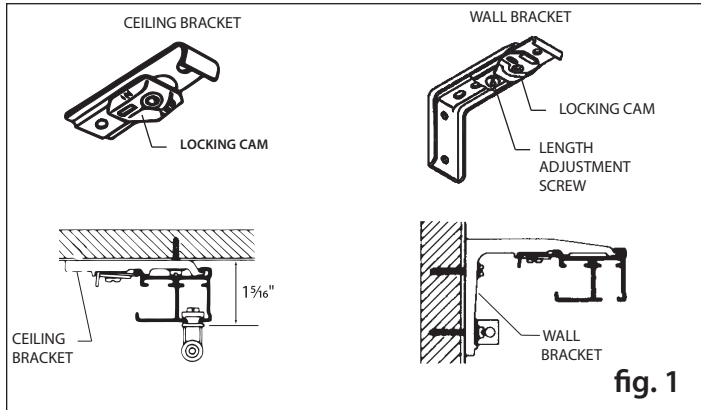


Made To Measure Rod / Ripplefold Drapery

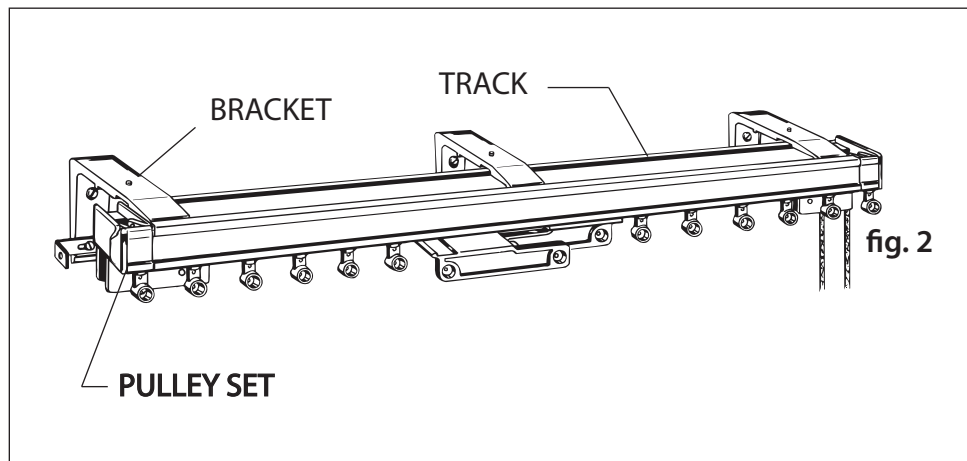
Installation Instructions

Made to Measure Track, Cord Operated



1. Attach bracket to wall or ceiling. (see figure 1) Brackets are to be at each end of track. Install one bracket 24" from each drapery stacking end. Space remaining brackets at 48" intervals over the remainder of the track. Adjust wall bracket to the required distance from the wall with the bracket length adjustment screw.
2. Lift track to the brackets and attach track to the bracket by turning the silver locking cam with a screwdriver until it grips the track.
3. If not pre-assembled:
 - a. Insert slides/carriers into track.
 - b. Attach pulley set or end caps to track.

NOTE: For pre-assembled, remove extra carriers, if any were included. If assembling on-site, only include the required amount. Extra carriers can inhibit drapery operation.



IPC.1940/REV2

JUNIPER™ Commercial Window Treatments

inpro.com • 800.222.5556 • 262.679.9010

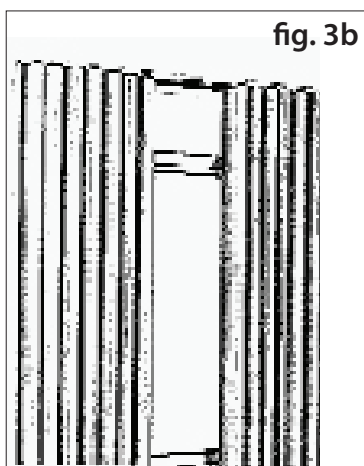
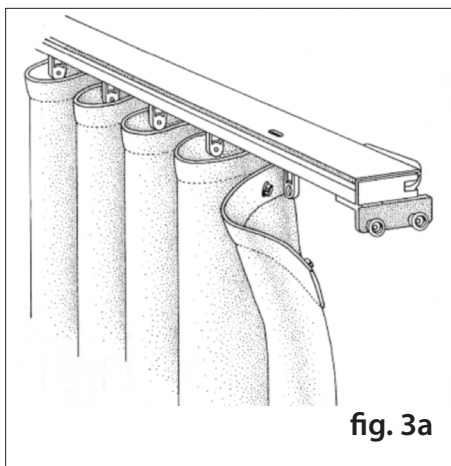
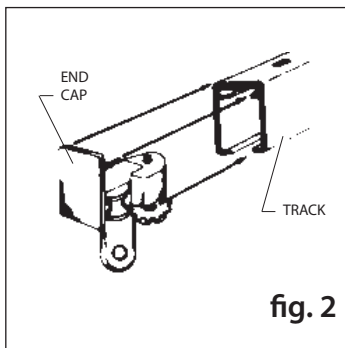
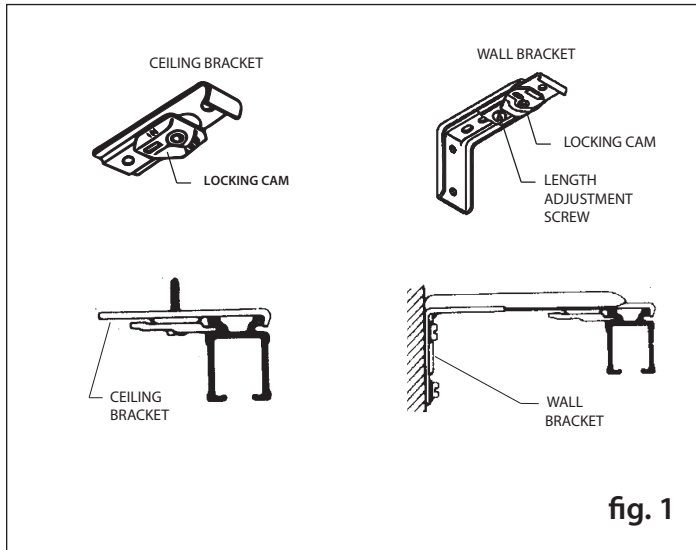
World Headquarters S80 W18766 Apollo Drive, Muskego, WI 53150 USA

Installation Hotline: 866.394.6776

inpro®

Ripplefold (Roll Pleat) Drapery

Installation Instructions



Made to Measure Track, Baton Operated

1. Attach bracket to wall or ceiling. (see figure 1) Brackets are to be at each end of track. Install one bracket 24" from each drapery stacking end. Space remaining brackets at 48" intervals over the remainder of the track. Adjust wall bracket to the required distance from the wall with the bracket length adjustment screw.
 2. Lift track to the brackets and attach track to the bracket by turning the silver locking cam with a screwdriver until it grips the track.
 3. If not pre-assembled:
 - a. Insert the slides/carriers into track.
 - b. Attach end caps to track. (see figure 2)
- NOTE: For pre-assembled, remove extra carriers, if any were included. If assembling on-site, only include the required amount. Extra carriers can inhibit drapery operation.
4. Attach Bolt-on or Clip-on Drapery Baton if used.

Ripplefold Installation

1. Attach drapery to the track by snapping drapery to the carriers (see figure 3a). Carriers will turn opposite directions to create Ripplefold look.
2. Attach Bolt-on or Clip-on Drapery Baton if used.
3. Adjust the drapery for a roll pleat appearance. (see figure 3b)

JUNIPER™ Commercial Window Treatments

inpro.com • 800.222.5556 • 262.679.9010

World Headquarters S80 W18766 Apollo Drive, Muskego, WI 53150 USA

Installation Hotline: 866.394.6776

inpro®