

# Sani-System™ Installation Instructions

Please read all instructions before installing product.

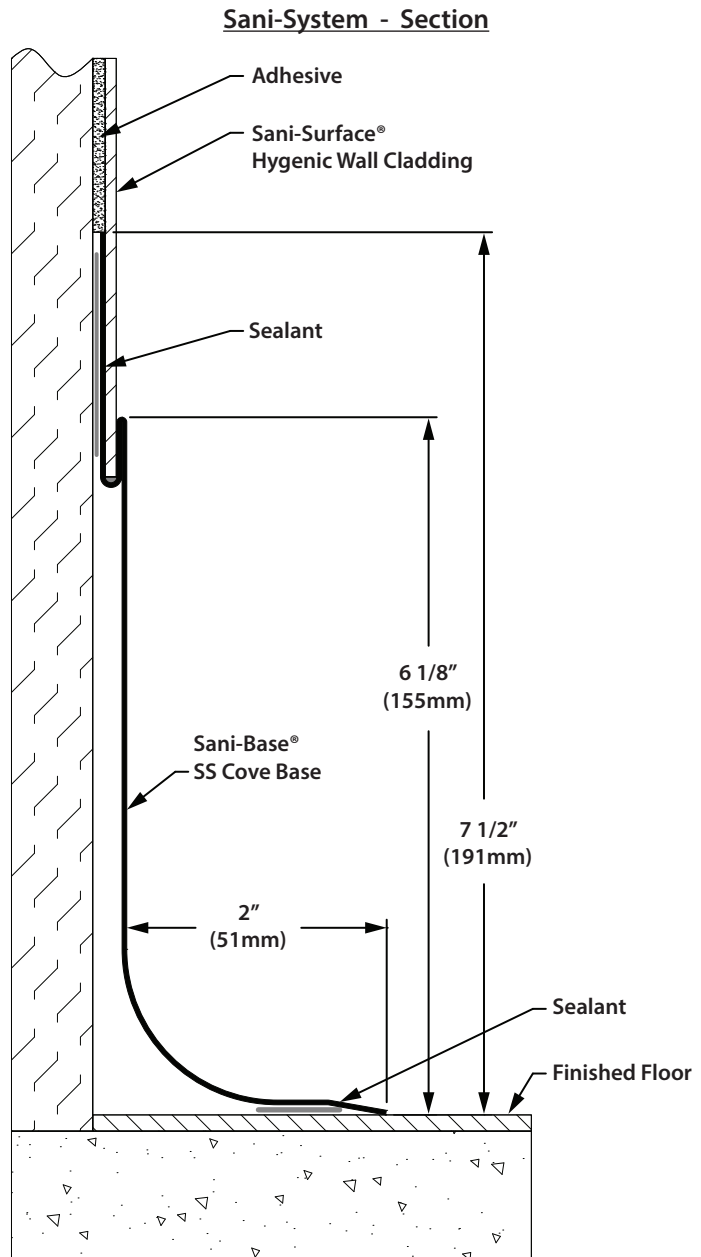
## Stainless Steel Cove Base & Hygenic Wall Cladding

### Important

1. Acclimate materials 24 hrs. before installation. Maintain temperature controlled environment after installation.
2. Install in accordance with manufacturer's installation instructions. Failure to do so will void the warranty.

### Installation Tips

1. Use a carbide toothed compound miter saw blade or angle grinder with stainless steel cutting disc when cutting stainless base components.
2. Lubricate blades when cutting to reduce burrs.
3. Clean all cuts using a file or de-burring tool.



### Recommended Tools:

Safety glasses, gloves, tape measure, high adhesion duck tape, square, chalk line, laser level, 10' straight edge, caulk gun, angle grinder with stainless cut off wheels, deburring flap disc, deburring tool and a set of metal files for stainless steel, solvent, cloth rags.

IPC.3292/REV.1

IPC® Door + Wall Protection

inpro.com • 800.222.5556 • 262.679.9010

World Headquarters S80 W18766 Apollo Drive, Muskego, WI 53150 USA

Installation Hotline: 866.394.6776

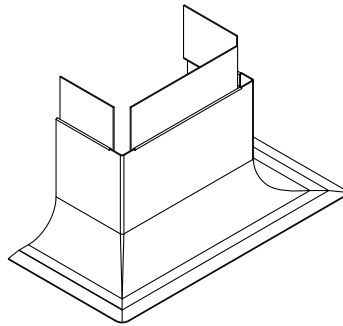
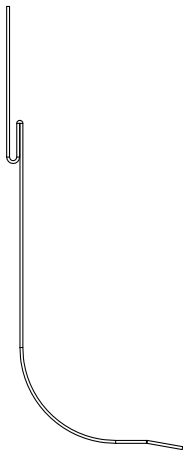
**inpro**®

# Sani-System™ Installation Instructions

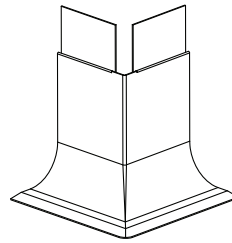
Please read all instructions before installing product.

## Sani-Base® SS Cove Base Components

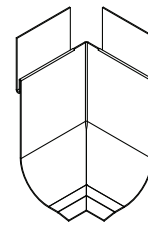
### Standard Cove Base Components



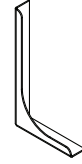
End Wall



Outside Corner  
(90° & 135°)



Inside Corner

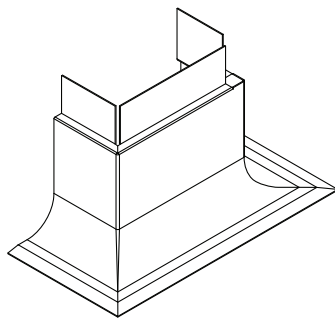
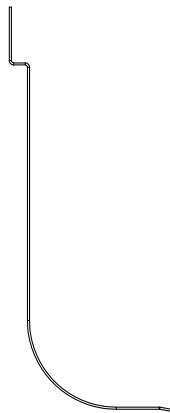


End Cap

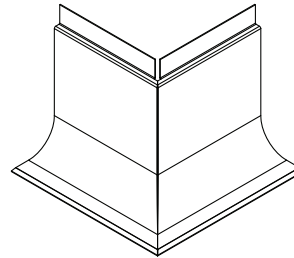


Splice

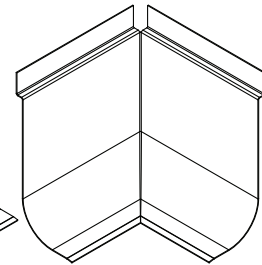
### Bioprism Cove Base Components



End Wall



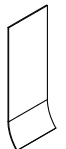
Outside Corner  
(90° & 135°)



Inside Corner

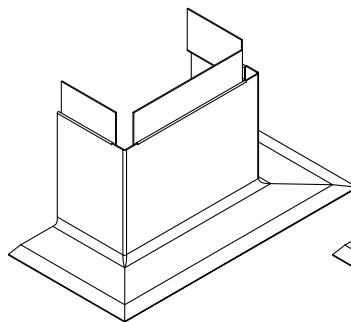
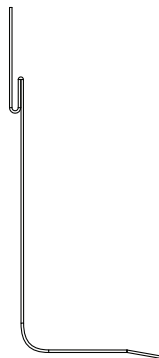


End Cap

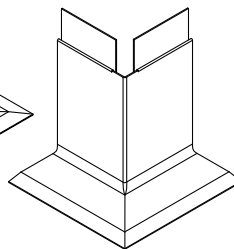


Splice

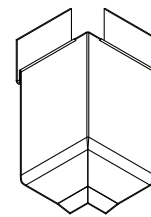
### Long Toe Base Components



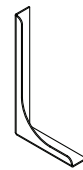
End Wall



Outside Corner  
(90° & 135°)



Inside Corner



End Cap



Splice

IPC® Door + Wall Protection

inpro.com • 800.222.5556 • 262.679.9010

World Headquarters S80 W18766 Apollo Drive, Muskego, WI 53150 USA

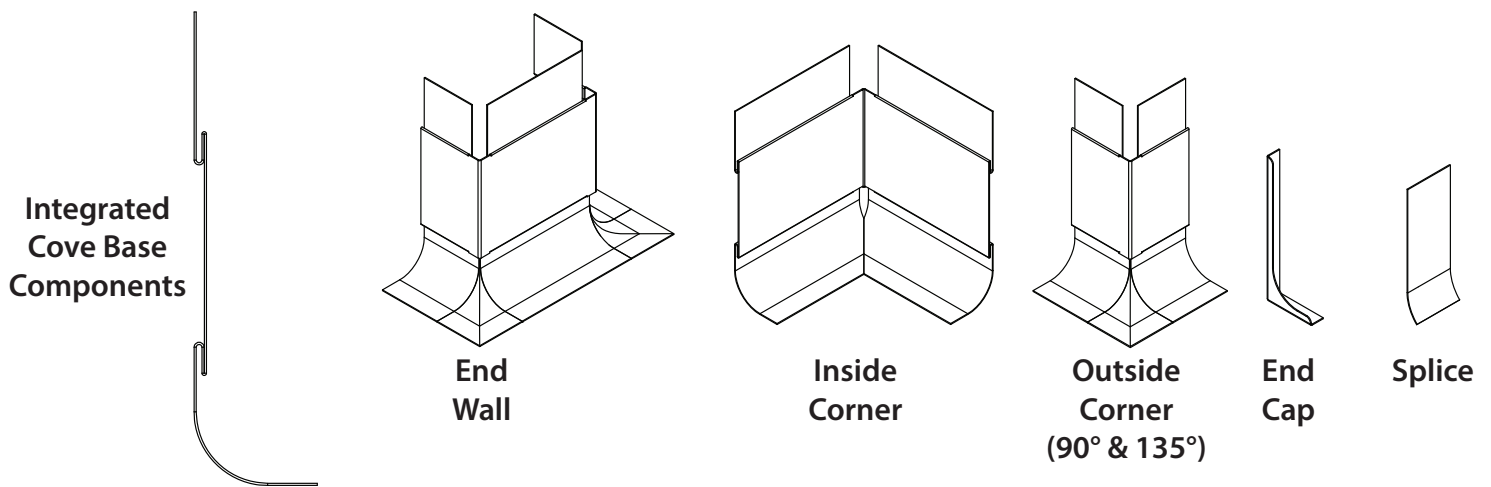
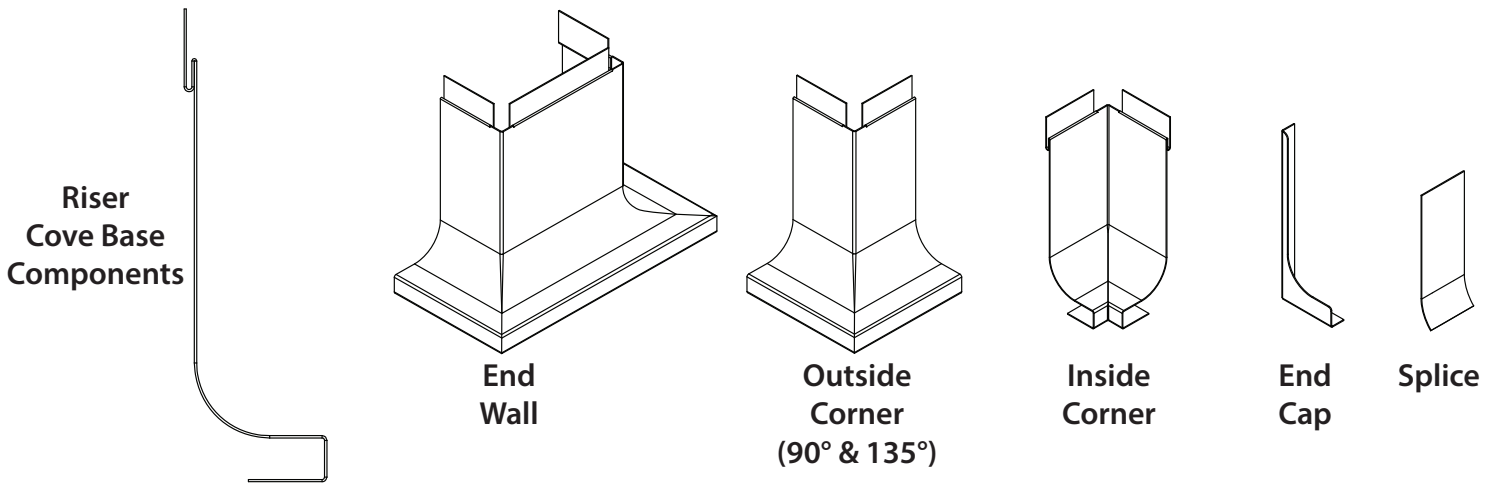
Installation Hotline: 866.394.6776

**inpro**®

# Sani-System™ Installation Instructions

Please read all instructions  
before installing product.

## Sani-Base® SS Cove Base Components



IPC® Door + Wall Protection

inpro.com • 800.222.5556 • 262.679.9010

World Headquarters S80 W18766 Apollo Drive, Muskego, WI 53150 USA

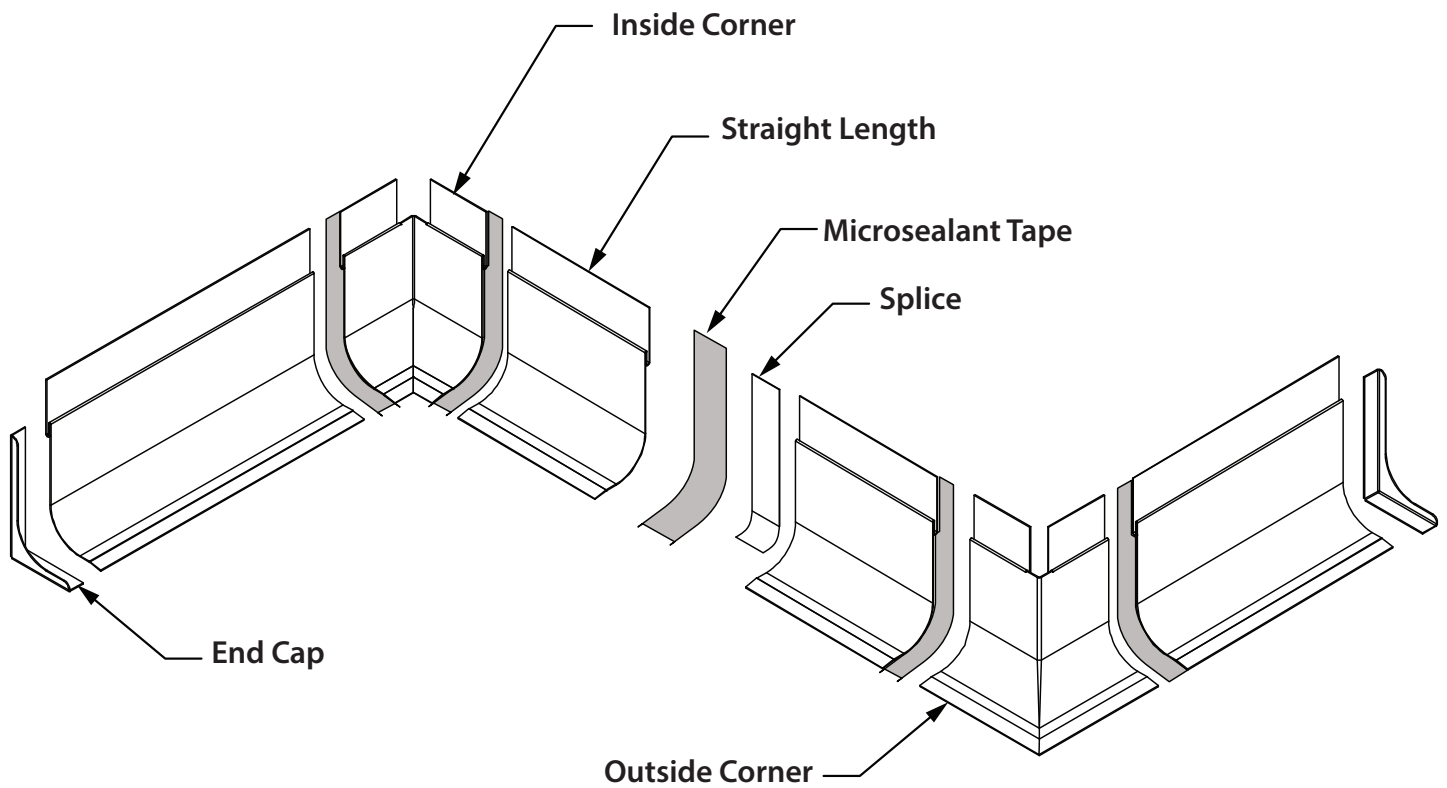
Installation Hotline: 866.394.6776

**inpro**®

# Sani-System™ Installation Instructions

Please read all instructions  
before installing product.

## Sani-Base® SS Cove Base Exploded View



IPC® Door + Wall Protection

[inpro.com](http://inpro.com) • 800.222.5556 • 262.679.9010

World Headquarters S80 W18766 Apollo Drive, Muskego, WI 53150 USA

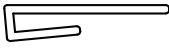
Installation Hotline: 866.394.6776

**inpro**®

# Sani-System™ Installation Instructions

Sani-Surface® Hygienic Wall Cladding Components

Please read all instructions  
before installing product.



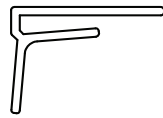
617  
TOP CAP



618  
VERTICAL  
DIVIDER

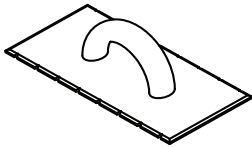


620  
OUTSIDE  
CORNER

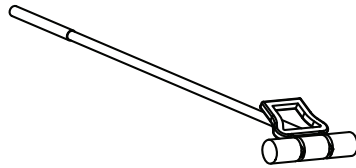


619  
INSIDE  
CORNER

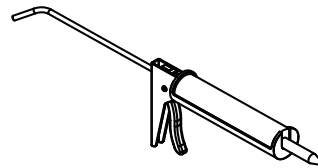
Sani-Surface™  
SHEET



INPRO #546  
TROWEL



INPRO #333  
EXTENSION ROLLER

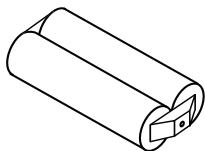


COLOR MATCH CAULK  
(OPTIONAL)

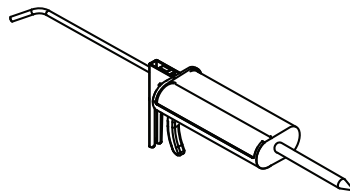


FASTGRAB:  
INPRO #547

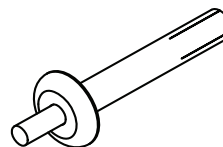
ADVANCED POLYMER:  
INPRO #548



INPRO #549-REFILL  
2-PART URETHANE  
CARTRIDGE



INPRO #549-DISP  
2-PART URETHAN  
APPLICATION GUN



INPRO # SSNAIL-xxxx  
DRIVE PINS

IPC® Door + Wall Protection

inpro.com • 800.222.5556 • 262.679.9010

World Headquarters S80 W18766 Apollo Drive, Muskego, WI 53150 USA

Installation Hotline: 866.394.6776

**inpro**®

# Sani-System™ Installation Instructions

Please read all instructions  
before installing product.

## Sani-Base® SS Cove Base Installs

---

### PRE-INSTALLATION

- Before installation, the installer must determine that the environment of the job site meets or exceeds all requirements specified in the installation guide. Installation typically begins when the majority of the job site has been completed. Installing should not start until the building is enclosed (windows and doors), permanent heating and cooling equipment is in operation, and residual moisture from plaster, concrete or terazzo work has dissipated
- Do not begin installation until environment meets or exceeds requirements for installation.

### CLEANING / PRE-CONDITIONING

- Prior to installing Sani-Base and related components, all surfaces must be clean, structurally sound and free of loose particles.
- Also check for any paint, solvent, grease, sealers and drywall residue that would inhibit proper installation of the Sani-Base components. If necessary, do an adhesion test in a non-conspicuous area.
- Floors must be clean and level per industry standard. Deviations greater than 1/8" per 10' are deemed unacceptable and will not be permitted. Corrections to an un-level floor can be made by floating or grinding concrete into the proper tolerances.

### WALL PREPARATION

All walls must be free from dirt, grease, and loose paint. Remove any coatings designed to improve clean-up as they may affect adhesion. Sanding or priming of glassy surfaces may be needed to help promote adhesion.

- **NEW DRYWALL OR PLASTER** - Walls must be smooth and wiped clean to remove dust. Seal or prime walls with paint or primer. Allow appropriate time to dry in accordance with the manufacturers application instructions.
- **PAINTED DRYWALL OR PLASTER** - Test painted walls for adhesion by applying an aggressive sticky tape, such as duct tape. Press tape down firmly on painted surface while keeping one end up. Rip tape up quickly. If paint comes up with tape, the paint is not well bonded and wall needs to be stripped and resealed with a recommended paint/ primer. Be sure to test several areas of the wall to insure the entire surface is suitable for installation.
- **CONCRETE AND CONCRETE MASONRY UNITS** - Fill surface of concrete walls with an appropriate filler to make it smooth. Seal or prime walls with paint or primer. Allow paint/ primer to dry in accordance with the manufacturers application instructions.
- **UNEVEN SURFACES**- Adhesion be unsuccessful if installing over uneven surfaces because of the formation of air pockets behind the panel. High and low spots should be leveled to provide an even wall surface.

**The following wall conditions require additional preparation or installation techniques:**

- **PLYWOOD** - Plywood walls must be flat and even. Warped plywood should be removed and replaced. Solvent-free adhesive cannot be used on any installation over pressure treated or fire-rated plywood.
- **CONCRETE BLOCK AND BRICK** - Concrete block and brick surfaces are naturally uneven, and stainless steel panels installed directly to these surfaces will likely develop loose spots, bulges, and buckles. If a smooth buckle-free wall surface is required, the wall should be furred out, level, and plumb with wood or metal studs or channels and covered with drywall, plywood, factory laminated panels, or other appropriate substrate according to the standard installation instructions.
- **NON-POROUS SURFACES** (ceramic tile, glazed block, moisture resistance substrates, and metal panels) - Does not provide a good surface for adhesive bonding. General-purpose latex-based adhesives will not dry properly on a non-porous surface. Contact an adhesive manufacturer for recommendations in these environments.
- **DIRECT SUNLIGHT** - Prolonged direct sunlight on stainless may cause rapid expansion depending upon amount of heat buildup. Use caution in these areas.
- **HIGH HUMIDITY ROOMS OR LOW TEMP ROOMS** - Carefully follow the guidelines for expansion/contraction for spacing and sealing. Failure to seal moisture entry points with recommended sealant can cause swelling of the substrate that may result in warping, curling, delamination, or bond line separation. Use an adhesive that is recommended for the appropriate conditions. A vapor barrier may be required. Follow the architect or owner's specifications or check your local building codes for specific requirements.

---

IPC® Door + Wall Protection

inpro.com • 800.222.5556 • 262.679.9010

World Headquarters S80 W18766 Apollo Drive, Muskego, WI 53150 USA

Installation Hotline: 866.394.6776

**inpro**®

# Sani-System™ Installation Instructions

Please read all instructions before installing product.

## Sani-Base® SS Cove Base Installs

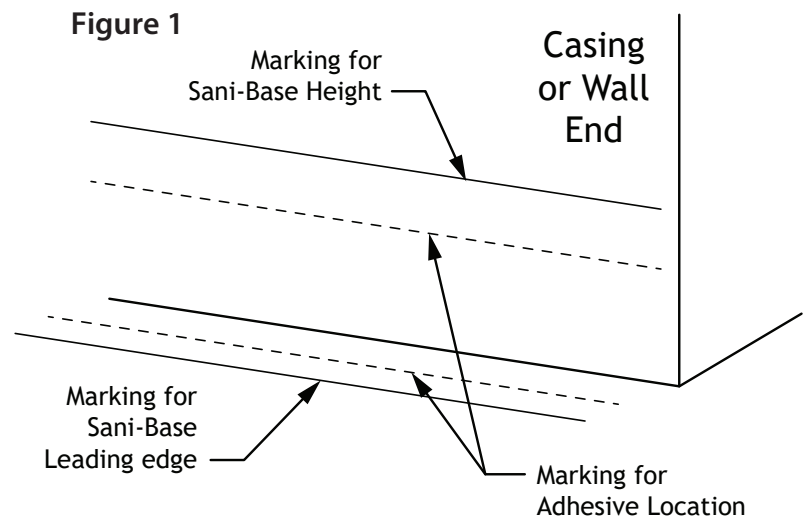
Expansion of Stainless Steel		
Coefficient of Thermal Expansion - $\mu$ in. / in °C	Expected Expansion of a 120 inch sheet (in)	Expected Expansion of a 3 meter sheet (mm)
16.5	0.08	2.03

### PRE-INSTALLATION PLANNING

- Lay out all of the pieces as a sequenced puzzle to dry fit the entire run/room.
- Insure all joints are "hairline" in nature (adjust if needed by using a file, grinder or sander).
- Pre-fit scribe each component before fastening and/or adhering into place.
- All cutting and drilling should be done prior to the application of the adhesive.
- Preplan intersecting points, joints or surfaces that will have Sani-Base applied to eliminate any interference with other moldings and/or wall fixtures.
- Pre-drill a countersink hole using a drill bit 3/32" larger that the fastener required.

### INSTALLATION

1. Establish a true and level line on the wall appropriate to the back height of the Sani-Base system you are installing.
2. Mark and/or snap a line at the intended height.
3. Locate and mark a series of points to indicate the leading edge of the Sani-Base system on the floor.
4. Using a pencil or permanent marker, continue with a straight edge to complete the line. **\*DO NOT USE A CHALK LINE\***
5. Using a pencil or permanent marker, mark the location(s) of the adhesive per each Sani-Base requirements.



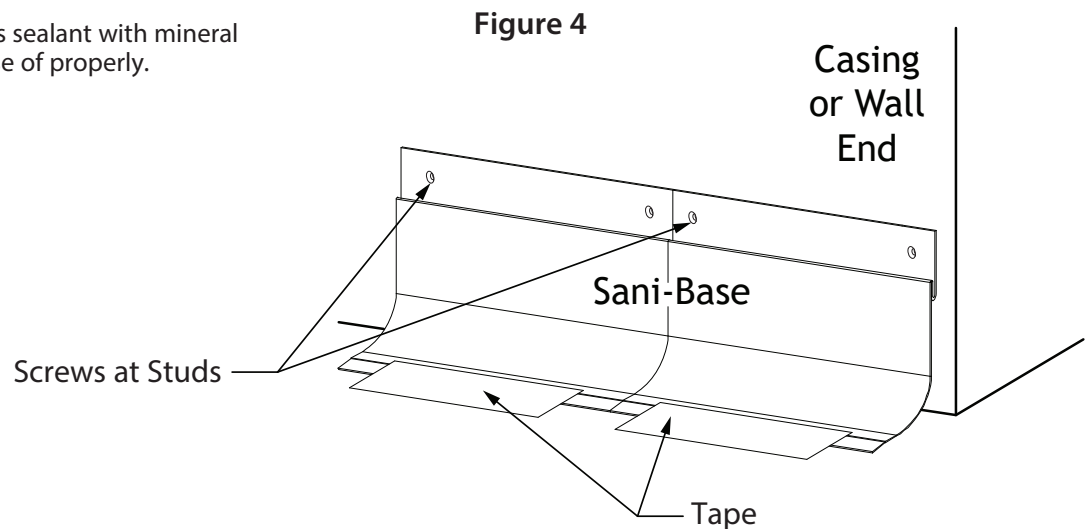
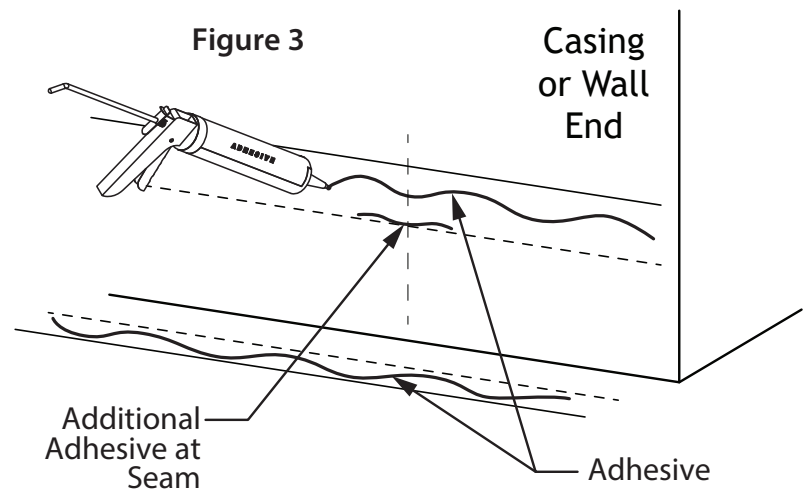
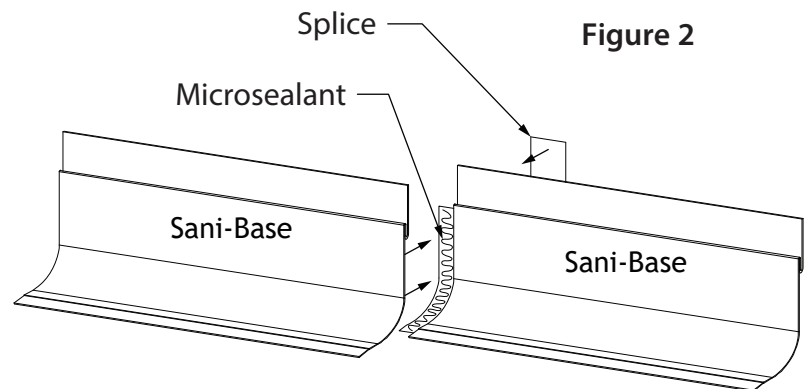
# Sani-System™ Installation Instructions

Please read all instructions before installing product.

## Sani-Base® SS Cove Base Installs

### INSTALLATION CONT...

6. Apply micro sealant interconnection at each joint (one per joint). Run microsealant tape from bottom tip to the underside of hem. Allow for a 50% overlap. Press firmly to the back and bottom of the Sani-Base.
7. Attach adjoining piece, pressing firmly to the back and bottom of the Sani-Base.
8. Only attach as many pieces in a run that can be properly installed by 1-2 people in a 10 minute time frame. Note: A run is typically from a corner condition to an another corner condition.
9. Apply adhesive to the substrate per manufacturer's recommendations. Do NOT apply any more adhesive than can be installed/embedded in the time allowed. Adhesive open time is 10 minutes.
10. Embed "run" vertically in the sealant, do not slide horizontally.
  - a) Align Sani-Base to the top of the marks on the wall and secure with tape or rivets.
  - b) Align the front edge of Sani-Base with the line on the floor and secure with tape.
11. After completing a run, seal all seams with manufacturer recommended metallic color matched silicone caulk, on the exposed face..
12. Immediately clean up excess sealant with mineral spirits and a clean rag. Dispose of properly.





# Sani-System™ Installation Instructions

Please read all instructions  
before installing product.

Sani-Surface® Hygienic Wall Cladding Installs

---

## Important

### Storage

**Flat sheet** - Store Sani-Surface™ Rigid Sheet in a clean, dry, interior area at temperatures between 50° F and 95° F [10°-35°C]. Keep out of direct sunlight. Make sure sheet is well supported.

- Store in a clean, dry, interior area
- Avoid direct sunlight
- Store between 50°F and 95°F [10°-35°C]

### Acclimate

24 hours before the installation, acclimate the sheet material and adhesive in the environmentally controlled area where it will be installed. The ideal conditions are, temperature between 60°F and 75°F [16°-24°C] and a humidity level is between 35-55%. Maintain a constant temperature between 65°F - 80°F [18°-27°C] and a constant humidity level less than 80% in the installation area 24 hours before installation, during the entire installation and 48 hours after the installation.

- Acclimate sheet and adhesives in the environmentally controlled installation area.
- Acclimate sheet and adhesives at temperatures between 65°F and 80°F [18°-27°C].
- Acclimate sheet and adhesives at humidity less than 80%.
- Maintain a constant temperature and humidity 24 hours before, during and 48 hours after installation.

## Recommended Adhesives and Substrates

**Titebond Fast Grab:** New Drywall, Untreated Plywood, Cement Board\*\*

**Titebond Advanced Polymer:** New & Painted Drywall, Mold/Moisture Resistant Faced Drywall, Treated & Untreated Plywood, Cement Board, Aluminum, Stainless Steel, Galvanized Metal, FRP, Ceramic Tile, Polyurethane or Polystyrene foam, Foil Faced Insulation.

\*\* adhesive may take longer to cure and will require bracing to ensure complete bonding

## Recommended Tools

- Extension Roller
- V-notched Trowel
- Circular Saw with Fine Toothed Carbide Blade
- Oscillating Multi-tool with Wood Blade
- Jigsaw
- Swivel Head 18 Gauge Shears
- Drywall Rotozip
- Utility Knife and Blades
- Deburring Tool
- Saw Horses
- Plywood boards (larger than panels)
- Dry, Lint Free Rags
- Sandpaper
- Blue Painters Tape
- Solvent / Water and Soap for clean up.
- Denatured Alcohol

---

IPC® Door + Wall Protection

inpro.com • 800.222.5556 • 262.679.9010

World Headquarters S80 W18766 Apollo Drive, Muskego, WI 53150 USA

Installation Hotline: 866.394.6776

**inpro**®

### Wall Preparation

Walls must be free from dirt, grease and loose paint. Remove any coatings designed to improve clean-up since these coatings may affect adhesion. Glossy surfaces may require sanding or priming to help promote adhesion. Do not install sheet if the moisture content of the drywall is greater than 4%. Ensure walls are flat and surface finish is even.

**New drywall or plaster** – New drywall should have a level 3 dry wall finish (Taped joints with 2 coats of joint compound). Before install walls must be smooth and wiped clean to remove dust. DO NOT seal or prime walls with paint or primer. Any clearly uneven areas should be filled and smoothed. Tapered joints need only a fill and tape coating using a setting joint compound.

- Remove Dust and Dirt
- DO NOT Seal walls with paint/primer.

**Painted Drywall or Plaster** - Painted surfaces will prevent solvent-free or solvent based adhesives from drying. Any painted surfaces must be roughed up using a wall paper remover, or low grit (20 or less) heavy duty sandpaper to break the moisture barrier of the paint.

- Paint prevents adhesive from drying and achieving bond.
- Strip the paint off wall, at a minimum rough painted surface to remove moisture barrier.

**Plywood** - Plywood walls must be flat and even. Any warped plywood must be removed and replaced. Solvent-Free adhesives (i.e. Titebond Fast Grab) cannot be used on any pressure treated, or fire-rated plywood.

- Ensure installed wall is flat and even
- Remove and Replace any warped plywood

**Concrete and Concrete Masonry Units** – Panels installed onto concrete block or brick walls will likely result in loose spots or bulges. It is recommended to install gypsum board, or another appropriate substrate over the furring, then install Sani-Surface™ panels according to the standard installation instructions. If it is the preference of the owner or contractor to install over existing concrete or block, panels should be installed with Advance Polymer Adhesive.

- Install appropriate substrate (i.e. Gypsum or plywood)
- Follow instructions for installed substrate
- If you must install on block walls use Advanced Polymer Adhesives

**Non-Porous Substrates** - Non-porous substrates include metal, ceramic tile, high-pressure laminate, epoxy painted walls, vinyl wall covering (VWC) and rigid sheet. Solvent, polymer-based, and latex-based adhesives will not dry on non-porous surfaces. Adhering Sani-Surface™ sheet over existing sheet or VWC will increase smoke generation and flame spread and negate the Class A fire rating. If you choose to do this contact adhesive manufacturer for additional recommendations.

# Install Preparation

## Environmental Concerns

### Spaces with High Humidity / Low Temperatures

When installing Sani-Surface™ in spaces that contain high humidity or low operating temperatures, it is critical to always acclimate the panel to the operating conditions of that space before installing panels. In these cases, it is critical to follow the installation guide for expansion/contraction spacing. Be sure to select an adhesive which is capable of bonding in the conditions required. In rooms with high humidity, failure to fully seal moisture entry points with silicone can likely result in curling, warping, and delamination.

### Spaces Near Heat Sources

Sani-Surface™ should not be used near heat sources which radiates heat over 130 °F (55°C) (such as cooking appliances, space heaters, etc...) . In these conditions Inpro Stainless Steel Wall Panels are recommended.

### Pre-Installation: Cutting and Dry Fitting Sheets

Before applying adhesive or fastening, dry fit each panel to its final location. Any cutting, drilling, or modification to the panel should be done before application of adhesive. When laying out sheet allow a 1/8" [3mm] gap between sheet material and ceilings, floors, corners, door casings, window casings and between sheets.

Cut sheet material with a metal straight edge and circular saw. Always cut so the blade enters the back (un-textured side) of the sheet. If using a utility knife, cut the sheet using multiple passes.

Cut openings in the sheet for outlets and other objects located on the wall. Inpro recommends the use of an Oscillating Multi-Tool for cutting out openings. Openings can also be cut by drilling a 1/4" (6mm) diameter hole inside of the area to be removed, then use a jig saw or swivel headed shears to cut out the section to be removed. If mechanically fastening through the sheet to mount fixtures, pre-drill holes using a drill bit that is 1/4" (6mm) larger than the fastener (required thru sheet only).

- Mark plumb lines and level lines on wall.
- Allow 1/8" [3mm] between sheet and ceilings, floors, walls, casings and other sheets.
- Do NOT install cove base directly over rigid sheet;
- Use a straight edge and fine toothed circular saw to cut sheet material.
- Cut sheet using multiple passes when using a utility knife.
- Precut outlet and fixture locations
- DO NOT install sheet too close to heat sources.
- Dry fit the sheet to the wall before install

# Sani-System™ Installation Instructions

Please read all instructions  
before installing product.

Sani-Surface® Hygenic Wall Cladding Installs

## Install and Adhesive Application

### Titebond Fast Grab Application

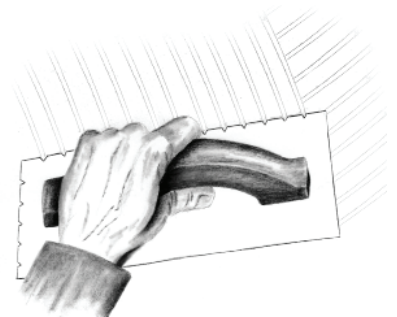
Fastgrab adhesive must be applied to the back of the sheet in a cross hatch pattern before installation using a V-notch trowel. Notches must be 3/16" wide X 1/4" deep and spaced 1/2" apart (center to center). Adhesive is ready to adhere as soon as its applied to back of panel.

Application temperature: After following the steps to acclimate the materials, maintain a constant temperature between 65°F and 80°F [18°-27°C] with an indoor humidity level below 80%.

Apply adhesive to the entire back face of the sheet. Remove any unwanted excess adhesive from surfaces with a damp cloth before the adhesive has cured. Cured adhesive is difficult to remove. Do not let adhesive dry in the notches of the trowel. This will change the application rate of the trowel.

- Allow materials to acclimate following the recommendations stated earlier.
- Apply FastGrab using a V-notch trowel with 3/16"x1/4" spaced 1/2" [13mm] apart. (InPro item #xxx)
- Apply adhesive only on back of sheet
- Apply adhesive to the entire back side of sheet
- Remove any excess adhesive before it has cured
- Clean trowel so notches do not get clogged
- If adhesive dries, tools and adhesive may be cleaned with water/acetone/vinegar mixture
- Application rate is approximately 50 square feet per gallon [1.22 sq. M/per liter] using specified V-notch trowel

Figure 1



### Titebond Advanced Polymer Application

Advanced Polymer must be applied to the back of the sheet in a cross hatch pattern before installation using a V-notch trowel. Notches must be 3/16" wide X 1/4" deep and spaced 1/2" apart (center to center). Adhesive is ready to adhere as soon as its applied to back of panel.

Application temperature: After following the steps to acclimate the materials, maintain a constant temperature between 65°F and 80°F [18°-27°C] with an indoor humidity level below 80%.

Apply adhesive to the entire back face of the sheet. Working time of the adhesive is 20 minutes, apply as much adhesive within that 20 minute window as allowable on for the panels. Remove any excess adhesive from unwanted surfaces with a damp cloth before the adhesive has cured. Cured adhesive is nearly impossible to remove. Do not let adhesive dry in the notches of the trowel. This will change the application rate of the trowel.

- Allow materials to acclimate following the recommendations stated earlier.
- Apply Advanced Polymer Adhesive using a V-notch trowel with 3/16"x1/4" spaces 1/2" [13mm] apart. (InPro item #xxx)
- Apply adhesive only on back of sheet only
- Apply adhesive to the entire back side of sheet.
- Working time of adhesive is roughly 20 minutes @ 70 [21°C]
- Remove any excess adhesive before it has cured.
- Clean trowel so notches do not get clogged.
- After installation of panel, clean any adhesive on the exposed face of the panel within 10 minutes using denatured alcohol and a clean rag.
- Application rate is approximately 50 square feet per gallon [1.22 sq. M/per liter] using specified V-notch trowel

IPC® Door + Wall Protection

inpro.com • 800.222.5556 • 262.679.9010

World Headquarters S80 W18766 Apollo Drive, Muskego, WI 53150 USA

Installation Hotline: 866.394.6776

**inpro**®

# Sani-System™ Installation Instructions

Please read all instructions  
before installing product.

## Sani-Surface® Hygienic Wall Cladding Installs

Figure 2a

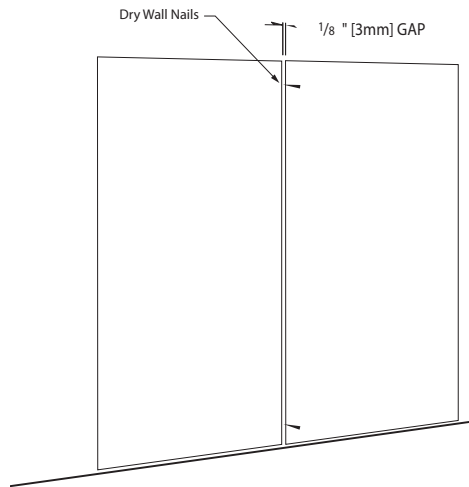
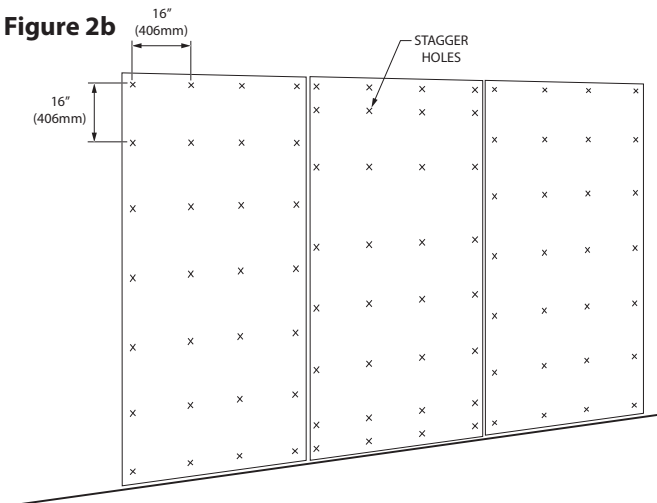


Figure 2b



### Adhesive Curing

Temperature and humidity levels will affect the time it takes for adhesive to cure. Under normal conditions working time should be 20 minutes at 70 °F. Working time decreases with increases in temperature. **The installer is responsible for determining the cure time of the adhesive, based on job site conditions. Do a test installation if needed.**

- Adjust cure time for temperature and humidity level.
- Working of adhesive is 20 minutes.
- **The installer is responsible for determining the cure time of the adhesive, based on job site conditions.**
- Do a test installation, if needed.

### Positioning Sheet

As soon as adhesive has been evenly applied to back of sheet, position the sheet on the wall aligning the edges with plumb lines or level lines. Hold sheets back from ceiling, floors, corners, casings and other sheets by 1/8" [3mm] to allow for expansion (see figure 2a). If needed reposition the sheet on the wall by carefully pulling it back and re-aligning it to the wall. Use an extension roller (InPro item # 333) to firmly embed the sheet into the adhesive. Apply heavy body pressure to every square inch of sheet, starting at the center and working to the edges, making sure it is bonded securely to the wall.

- Ensure adhesive is evenly spread on back of sheet.
- Position sheet on wall
- Allow 1/8" [3mm] gaps for expansion.
- Reposition sheet before rolling if needed.
- Roll entire sheet with extension roller, starting at the center and working to the edges.

### Nylon Drive Rivet Installation

If using rivets or fasteners to secure sheets to wall, fasteners should be located 16" on center both horizontally, and vertically. Fasteners should be kept 1" (25mm) - 1-1/2" (35mm) from each edge (see figure 2b). Panels should be predrilled at each fastener location using a drill bit that is 1/8" - 1/4" larger than the fastener. Apply adhesive after drilling holes. Always stagger hole locations on following sheets as shown.

Holes in the wall substrate should be drilled only slightly larger than the rivet fastener. Before inserting rivets, apply silicone to predrilled hole on sheet.

# Sani-System™ Installation Instructions

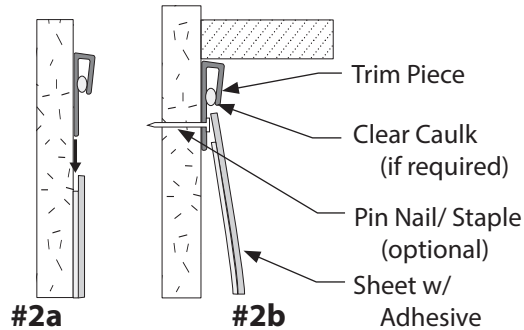
Please read all instructions before installing product.

## Sani-Surface® Hygienic Wall Cladding Installs

### Trim Pieces (see figures below)

If using trim, begin installation from an inside or outside corner, working outward. If using divider bars, pre cut to length before installing. Cut trim pieces with a metal straight edge and sharp utility knife. If required, run a small bead of clear silicone sealant into the channel on each trim piece, before installing

Install the first sheet on the wall and be sure to leave 1/8" (3mm) gap between sheet and corner. Slide vertical divider bars or inside corners behind the sheet. Overlap the edge of the sheet on the wall with the divider bar or inside corner, be sure to maintain a gap within the trim piece to allow for expansion and contraction. When using top caps and vertical divider bars, notch the back of the divider bar where it intersects with the top cap (see figures below). Install the top cap by sliding it on the top edge of the sheet after the sheet is in place. Roll all trim pieces and the entire sheet with an extension roller (InPro item # 333).



**#2a**

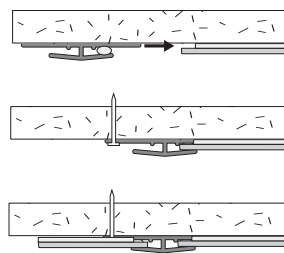
#### Top Cap

- Wainscot Height**
1. Install sheet
  2. Slide top cap trim behind sheet

**#2b**

#### Top Cap Fixed Height

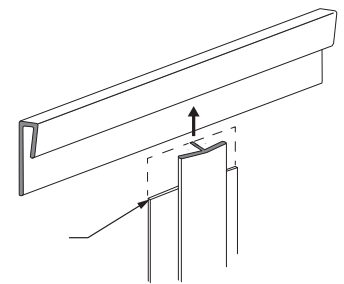
1. Install trim against fixed corner. (pin nail trim if desired)
2. Install sheet into trim.



**#3**

#### Divider Bars

1. Install 1st Sheet
2. Slide divider bar behind previously installed sheet
3. Install 2nd sheet, slide sheet up to locator nub



#### Intersecting Vertical Trims

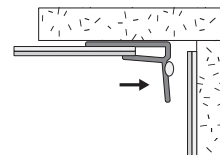
1. Cut vertical trim to length.
2. Clip the side wings of divider bar so "T" butts against edge of top cap.
3. Slide vertical trim behind previously installed sheet



**#1**

#### Outside Corners

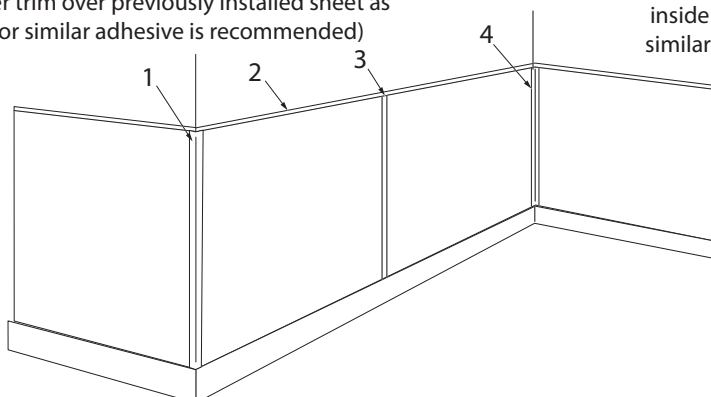
1. Install last sheet on oppsing wall, leaving a 1/8" [3mm] gap
2. Install 2nd sheet run, on last sheet ensure a 1/8" [3mm] gap is left between substrate corner and edge of sheet
3. Attach outside corner trim over previously installed sheet as shown (Clear Caulk or similar adhesive is recommended)



**#4**

#### Inside Corners

1. Install first sheet on opposing wall, leaving a 1/8" [3mm] gap, continue run.
2. Install the 1st sheet of the adjacent run with inside corner trim attached shown (clear caulk or similar adhesive is recommended) to bond corner
3. Apply painters tape to free corner.



IPC® Door + Wall Protection

inpro.com • 800.222.5556 • 262.679.9010

World Headquarters S80 W18766 Apollo Drive, Muskego, WI 53150 USA

Installation Hotline: 866.394.6776

**inpro**®

# Sani-System™ Installation Instructions

Please read all instructions  
before installing product.

## Sani-Surface® Hygenic Wall Cladding Installs

---

### Color Matched Caulk

Install all sheets needed for the space leaving a 1/8" [3mm] gap between each sheet using dry wall nails or similar. Apply blue painters tape along the edge of each sheet after cleaning and rolling each sheet. Allow adhesive to cure for a minimum of 6 hours.

Use Color Matched Caulk to fill in the joints between sheets. Cut the spout on the tube at a 45° angle. Apply the color matched caulk to the joint filling the void completely. With a putty knife, remove excess caulk from the joint. Immediately after applying the caulk remove the painters tape. Remove unwanted caulk, before it cures, with a water dampened cloth.

- While adhesive cures maintain sheet spacing using two drywall nails.
- Apply masking tape on the edges of the joint.
- Apply caulk to joint and remove excess with putty knife.
- Remove painters tape before caulk cures.
- Repeat caulk application if sinking occurs.
- Remove unwanted caulk before it cures.

### Two Part Seam Sealant - Application Prep

A minimum of two people is recommended for application of two part urethane. One person applying urethane and a second person smoothing seam. If one person is applying sealant, expect to use one tip per seam. It is important to note, "working time" begins when the two parts mix in the tip, not when its applied to the joint.

Install all sheets needed for the space leaving a 1/8" [3mm] gap between each sheet using dry wall nails or similar. Apply blue painters tape along the edge of each sheet after cleaning and rolling each sheet. Because of the short working time of sealant, only apply 3' [1m] at a time. Add a horizontal strip of tape at the end of each 3' [1m] section. Allow adhesive to cure for a minimum of 6 hours. Before beginning seams, always dispense a small amount of adhesives from both tubes (before attaching mixing tip) to ensure an even mix rate. Attach mixing tip and dispense 4" [100mm] of adhesive to ensure an even mix.

- While adhesive cures maintain sheet spacing using two drywall nails.
- Apply masking tape on the edges of the joint, and across joint at 3' [1m] sections.
- Change out mixing tips as required during installation.
- Dispense a small amount of both tubes before attaching tips.
- After tube is level, attach mixing tip and dispense 4" [100mm] before beginning.

### Estimated Working Time

5-6 mins	-	70°F (21°C)
4-5 mins	-	80°F (26°C)
3-4 mins	-	90°F (32°C)
3-4 mins	-	100°F (37°C)

### Two Part Seam Sealant - Application Prep And Vertical Seams

Begin any application with vertical seams, starting with flat panel seams, then finishing with outside/inside corner seams. Apply sealant at a rate and speed to ensure joint is completely filled, pulling dispensing away from the bead. If joint is too large, and cannot be filled in one pass, a filler bead can be applied, and allowed to cure. Come back and finish seam with a second bead after first bead has cured.

After sealant has been applied to a section smooth sealant bead using a putty knife. Smoothing must occur in the working time frame of the sealant. After smoothing sealant, remove horizontal painters tape and continue applying sealant. Be sure to apply enough sealant that the 1st section and 2nd section meet. Repeat cleaning steps, ensuring you have enough sealant left to complete the next section. Remove painters tape after completing the run.

---

IPC® Door + Wall Protection

inpro.com • 800.222.5556 • 262.679.9010

World Headquarters S80 W18766 Apollo Drive, Muskego, WI 53150 USA

Installation Hotline: 866.394.6776

**inpro**®



# Sani-System™ Installation Instructions

Please read all instructions  
before installing product.

## Sani-Surface® Hygenic Wall Cladding Installs

---

- Ensure bead is able to fill joint gap, pull application gun away from bead as its being applied.
- If joint gap is too large, apply a filler bead, then a 2nd bead to complete the install (after 1st bead is cured).
- Smooth using a putty knife (or desired finishing tool) on sealant.
- Abut following run of sealant against 1st section and continue install and cleaning.
- Ensure there is enough sealant to complete next section.
- Remove excess sealant using a rag with solvent.
- Remove painters tape after completing run.
- For corners repeat steps above using a caulk seam finishing tool or desired finishing tool.
- Finishing tools and technique is at the discretion of the installer/ end user.

### Two Part Seam Sealant - Horizontal Seams and Casement

Prep and apply sealant as described in vertical seam section. Ensure vertical seams are cured before beginning horizontal seams. Apply the bead over the horizontal seam, and smooth seam using a radial finish seam tool or desired finish tools.

- Ensure bead is able to fill joint gap, pull application gun away from bead as its being applied.
- In joints around casement and corners, the joint gap is often larger. Apply a filler bead, then a 2nd bead to complete the install (after 1st bead is cured).
- Large masses of sealant (due to wider joint gaps) will decrease working time.
- Smooth using a caulk seam finishing tool or desired finishing tool on sealant.
- Abut following run of sealant against 1st section and continue install and cleaning.
- Ensure there is enough sealant to complete next section.
- Remove excess sealant using a rag with solvent.
- Remove painters tape after completing run.
- Finishing tools and technique is at the discretion of the installer/ end user.

---

IPC® Door + Wall Protection

inpro.com • 800.222.5556 • 262.679.9010

World Headquarters S80 W18766 Apollo Drive, Muskego, WI 53150 USA

Installation Hotline: 866.394.6776

**inpro**®



# Sani-System™ Installation Instructions

Please read all instructions  
before installing product.

## Sani-Surface® Hygenic Wall Cladding Installs

---

### Clean-up

Completion: Immediately upon completion of installation, clean sheet and remove layout marks, excess adhesive, and surface blemishes. Cured adhesive is difficult to remove. Use denatured alcohol and rub gently with a soft cloth. After adhesive is removed, wipe the area with a general purpose cleaner like fantastik®. Rinse the area with a water dampened cloth. Dry with a clean soft cloth.

- Upon Completion, remove layout marks, excess adhesive and surface blemishes.
- Cured Adhesive.
- Use denatured alcohol and gently rub.
- Follow by wiping with a cleaner like fantastik®.
- Rinse sheet with water dampened cloth.

### Maintenance

For general cleaning, use Antibacterial fantastik® All Purpose Cleaner Heavy Duty. Use a clean, lint-free cloth and wipe clean. For tough stains, like markers, pencil, white marks, and rubber heel marks, the following was shown to be most effective: Do not use any abrasive cleaning cloths or sponges.

- Zep® Heavy Duty Citrus Degreaser
- Clorox® Clean-up with Bleach
- Antibacterial fantastik® All Purpose Cleaner Heavy Duty

1. Spray products onto sheet and wipe with a dampened cloth.
2. Repeat process if stain remains. If cleaning product residue remains, rinse with water.

Note: Any reference to a specific branded product does not constitute an endorsement by InPro Corporation.

If pressure/power washing sheets, maintain a 3ft. [1m] distance from sheet, trim pieces, and seams. Ensure pressure does not exceed 3,300 psi. DO NOT use direct, focused pressure streams over sealant joints.

### After Installation

Maintain environmentally controlled conditions after the installation. Large temperature changes can cause de-lamination.

- Maintain environmentally controlled conditions.
- Large temperature changes can cause de-lamination.

---

IPC® Door + Wall Protection

inpro.com • 800.222.5556 • 262.679.9010

World Headquarters S80 W18766 Apollo Drive, Muskego, WI 53150 USA

Installation Hotline: 866.394.6776

**inpro**®

### Important Notes

1. Store all materials in an indoor location that is clean, dry and away from direct sunlight. Temperature is to be between 50°F and 95°F.
2. Maintain a climate controlled installation area.
3. When installing, choose and maintain a temperature between 65°F-80°F and a humidity level below 80%, 24 hours before and during installation
4. Maintain temperatures between 65°F and 80°F for 48 hours after installation.
5. Do not install sheet if the moisture content of the drywall is greater than 4%.
6. Acclimate sheet, trim and adhesives to the installation temperature 24 hours before installation.
7. With large orders of sheet, acclimate the sheet in stacks of 25.
8. Do not expose sheet material to ultraviolet light. Exposure to UV may result in fading or color change.
9. Do not install sheet material in direct sunlight or areas of elevated temperature. Excessive heat may cause bubbles and/or distorted sheet.
10. Cut sheet material with a metal straight edge and a circular saw. If using a utility knife multiple cuts may be required.
11. Maximum installed sheet length is 10-feet.
12. Leave a 1/8" [3mm] gap between sheets for expansion and contraction and around doorjamb, baseboards and ceiling. Use sealants or trims as recommended by Inpro.
13. Leave oversized openings in the sheet for pipes, ducts, etc. to allow for expansion. Use sealant as n