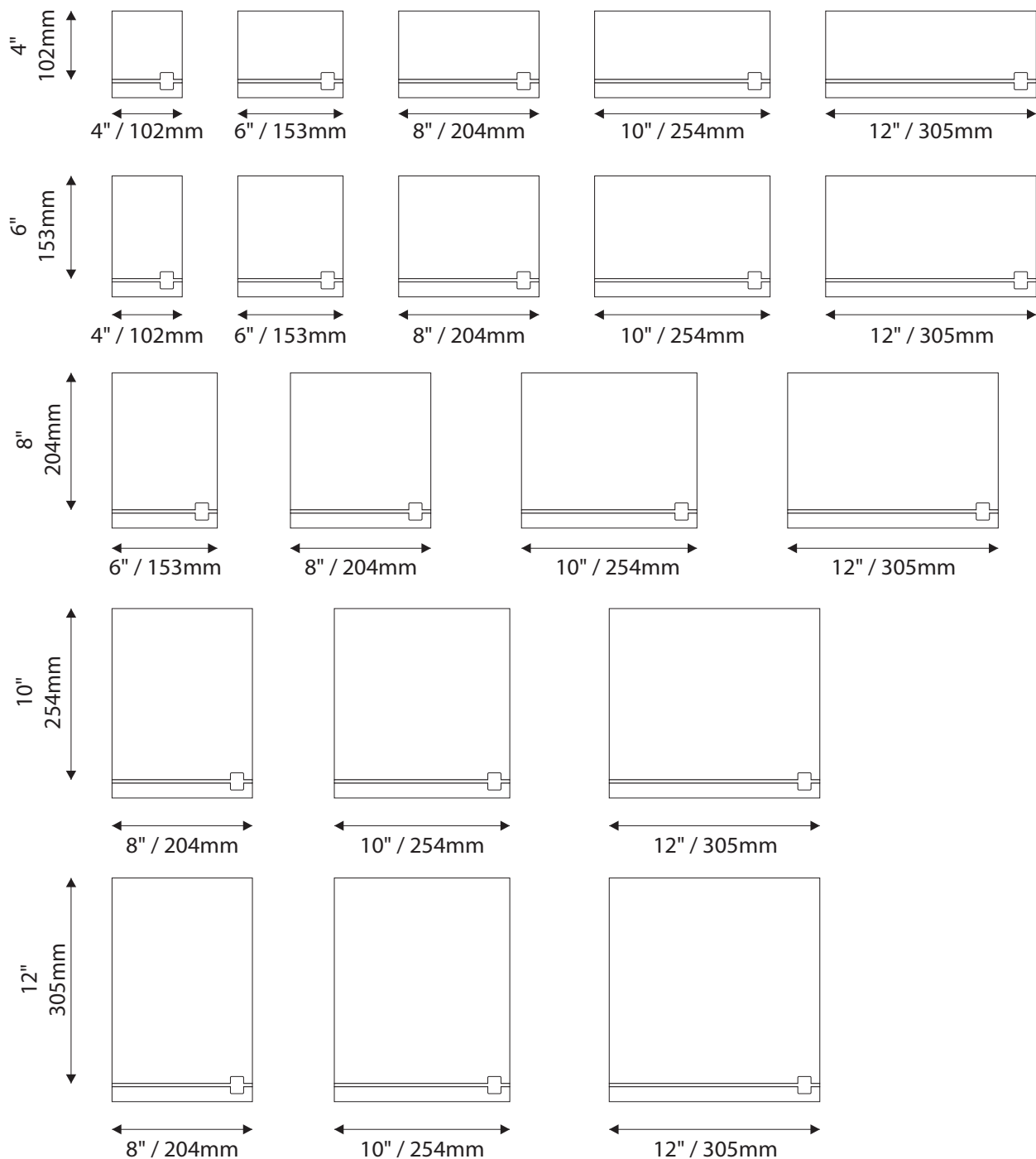


Standard Sizes

Santa Cruz Collection

ADA Room Identification / Informational

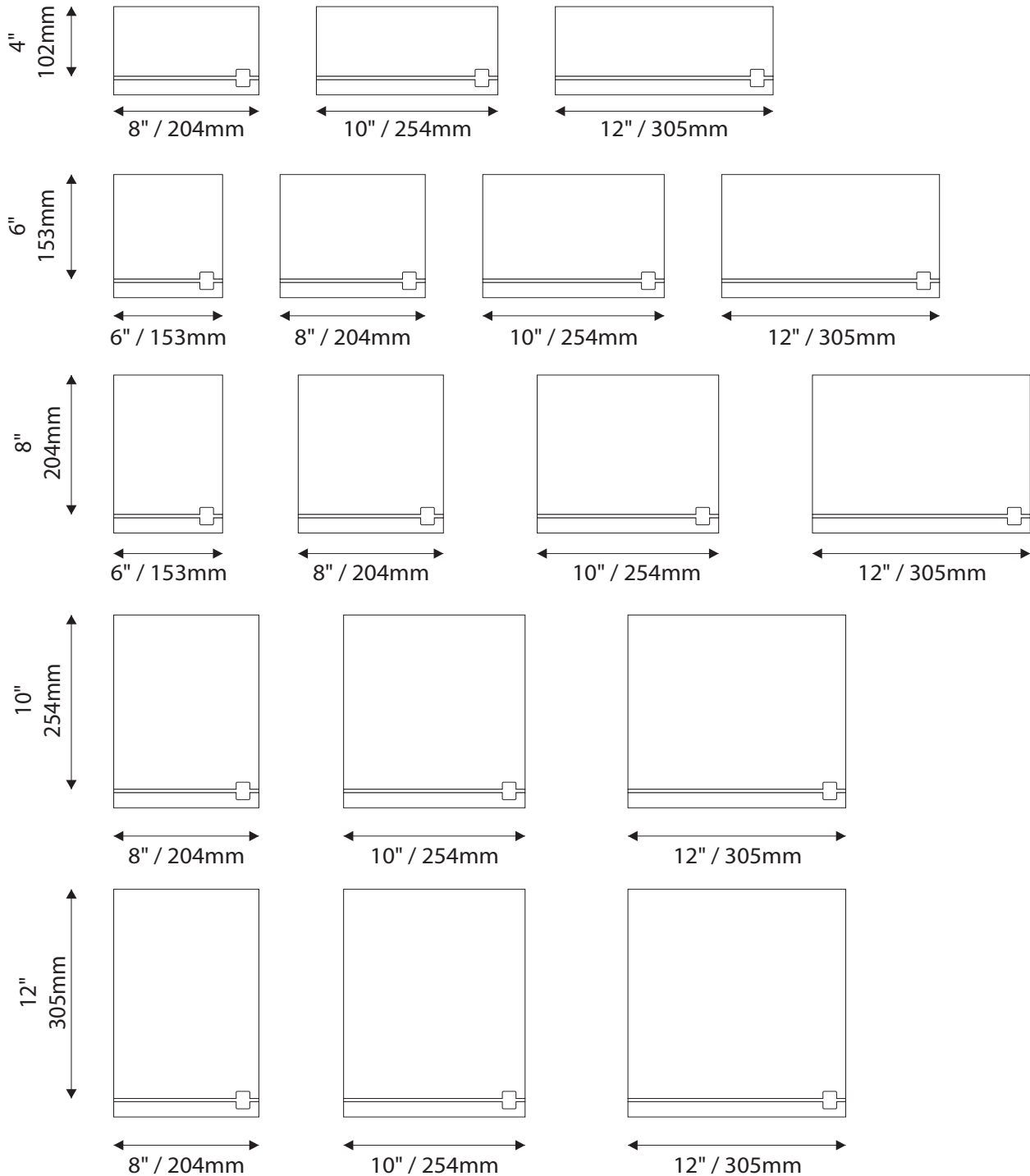


IPC1934/REV.2

Standard Sizes

Santa Cruz Collection

Informational / Directional

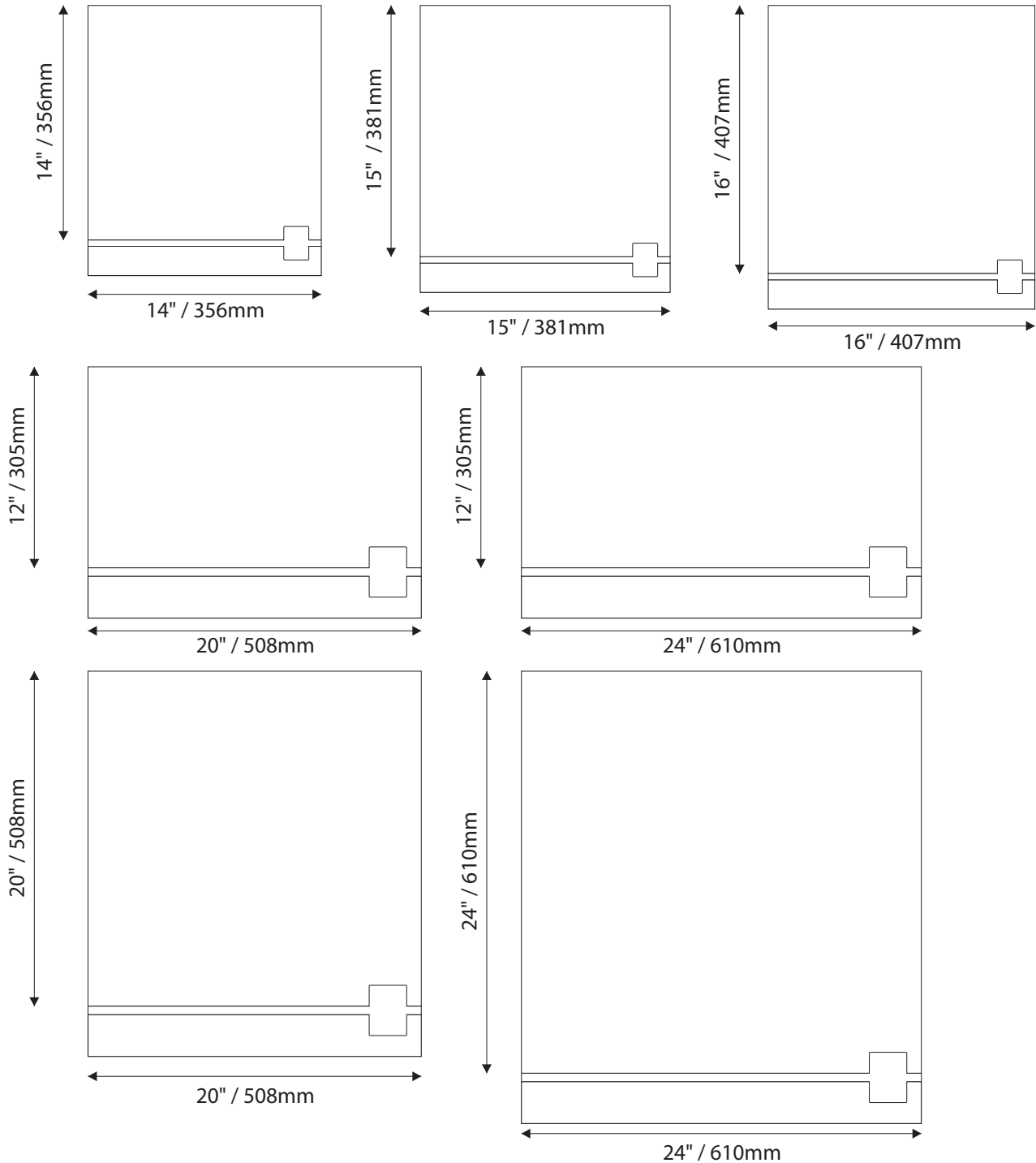


IPC1934/REV.2

Standard Sizes

Santa Cruz Collection

Informational / Directional

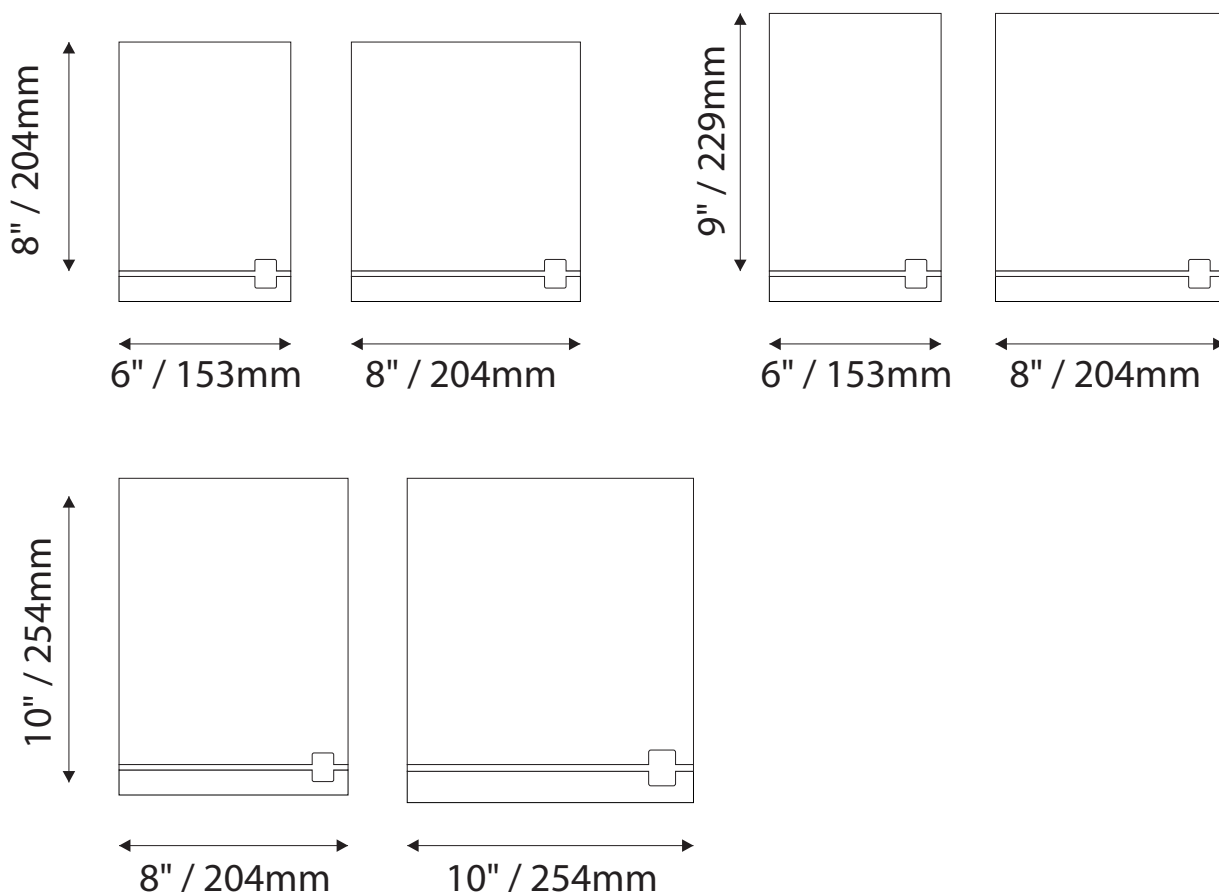


IPC1934/REV.2

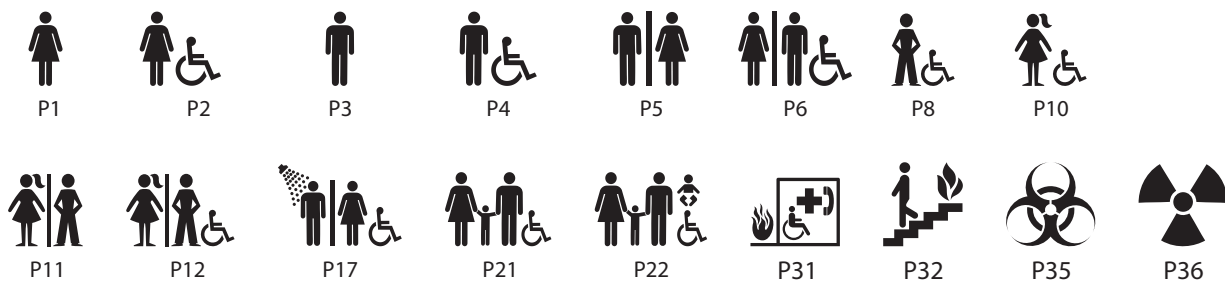
Standard Sizes

Santa Cruz Collection

ADA Regulatory



Common Pictograms

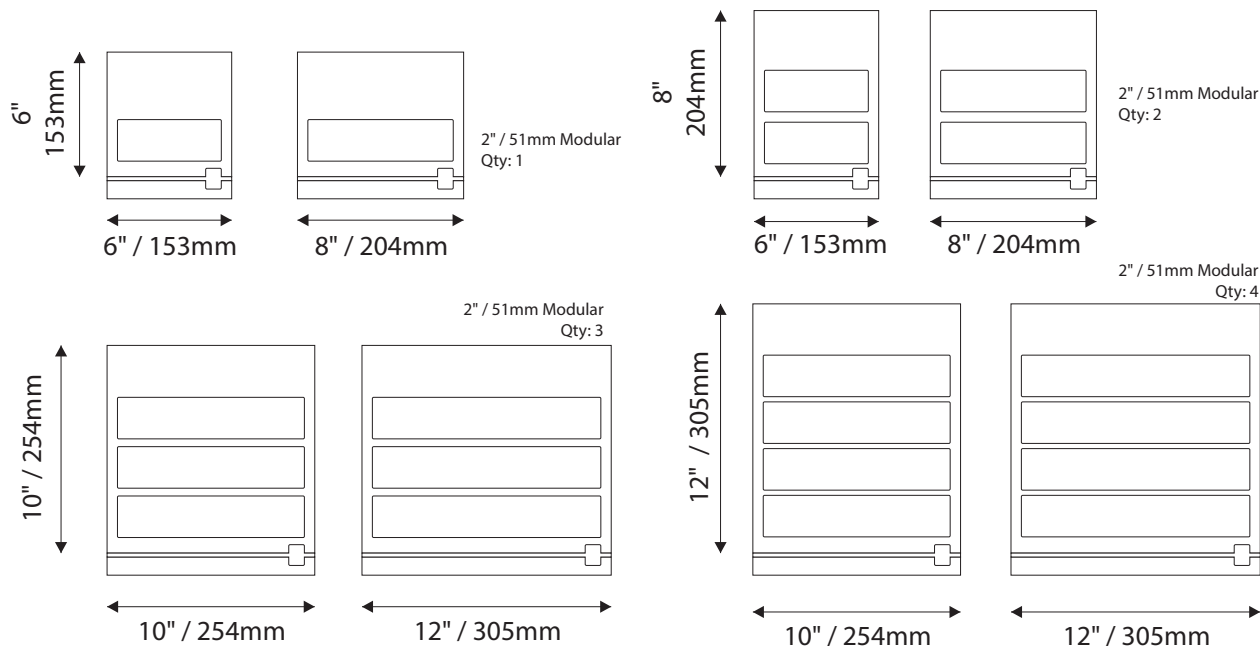


IPC1934/REV.2

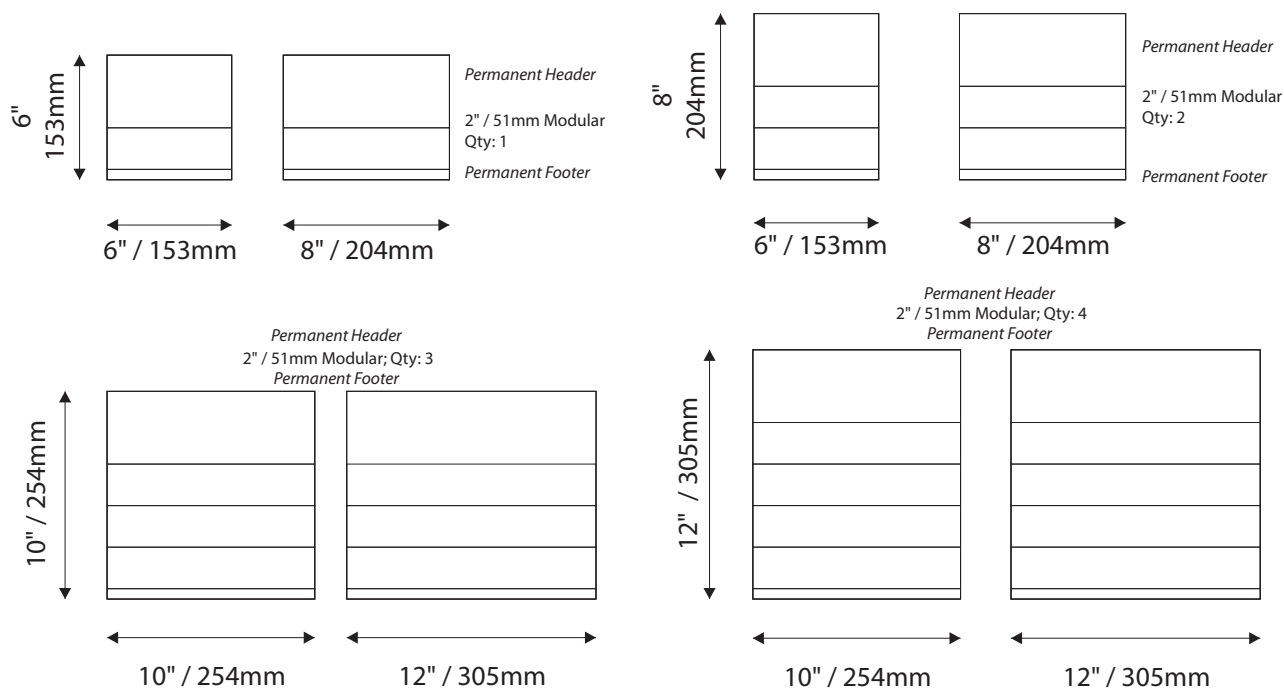
Standard Sizes

Santa Cruz Collection

Room Identification with Modular - Palladium Rigid Vinyl Sheet



Room Identification with Modular - Photopoly/Digital Print

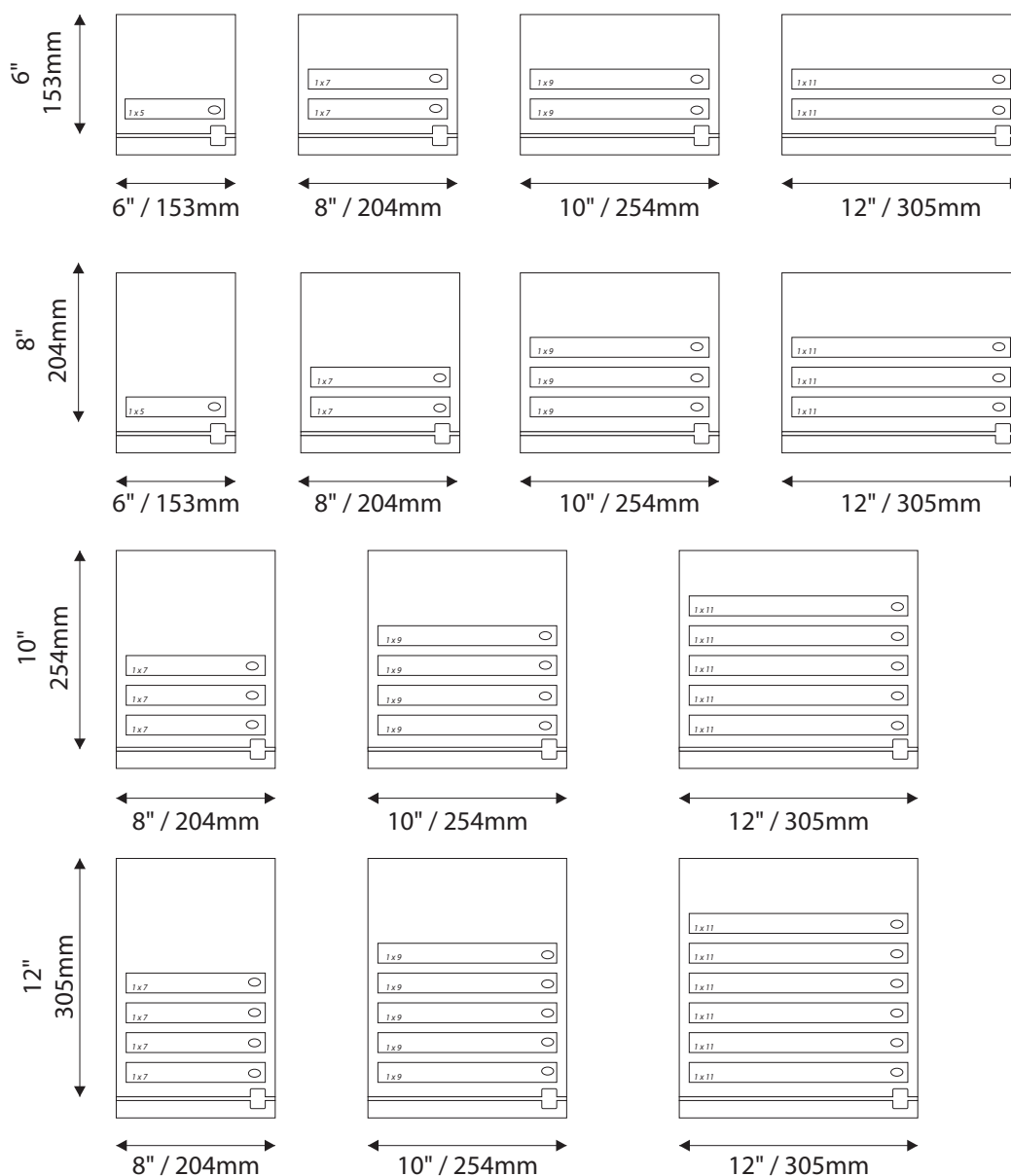


IPC1934/REV.2

Standard Sizes

Santa Cruz Collection

Room Identification with Window



- Window Sizes available from ½" (12mm) to 5.5" (140mm)
- Windows widths are typically 1" (25mm) less the sign width
- Edge to Edge windows are available in painted signs.
- All signs come standard with a finger notch for easy insert removal.

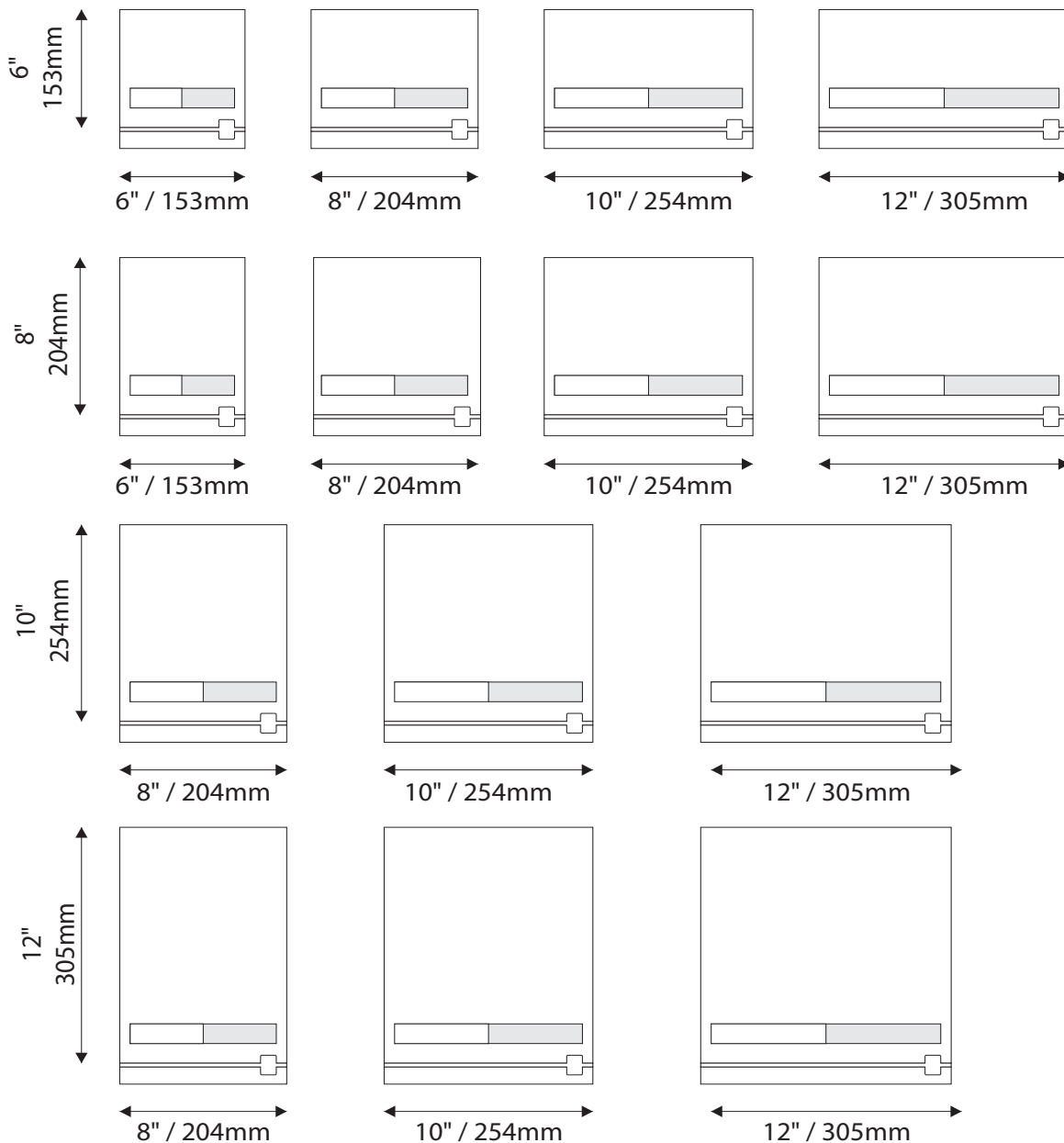
- InPro Corporation does not provide printed window inserts
- Ready to print Microsoft Word® templates are available for download at inprocorp.com/templates

IPC1934/REV.2

Standard Sizes

Santa Cruz Collection

Room Identification with Slider Display



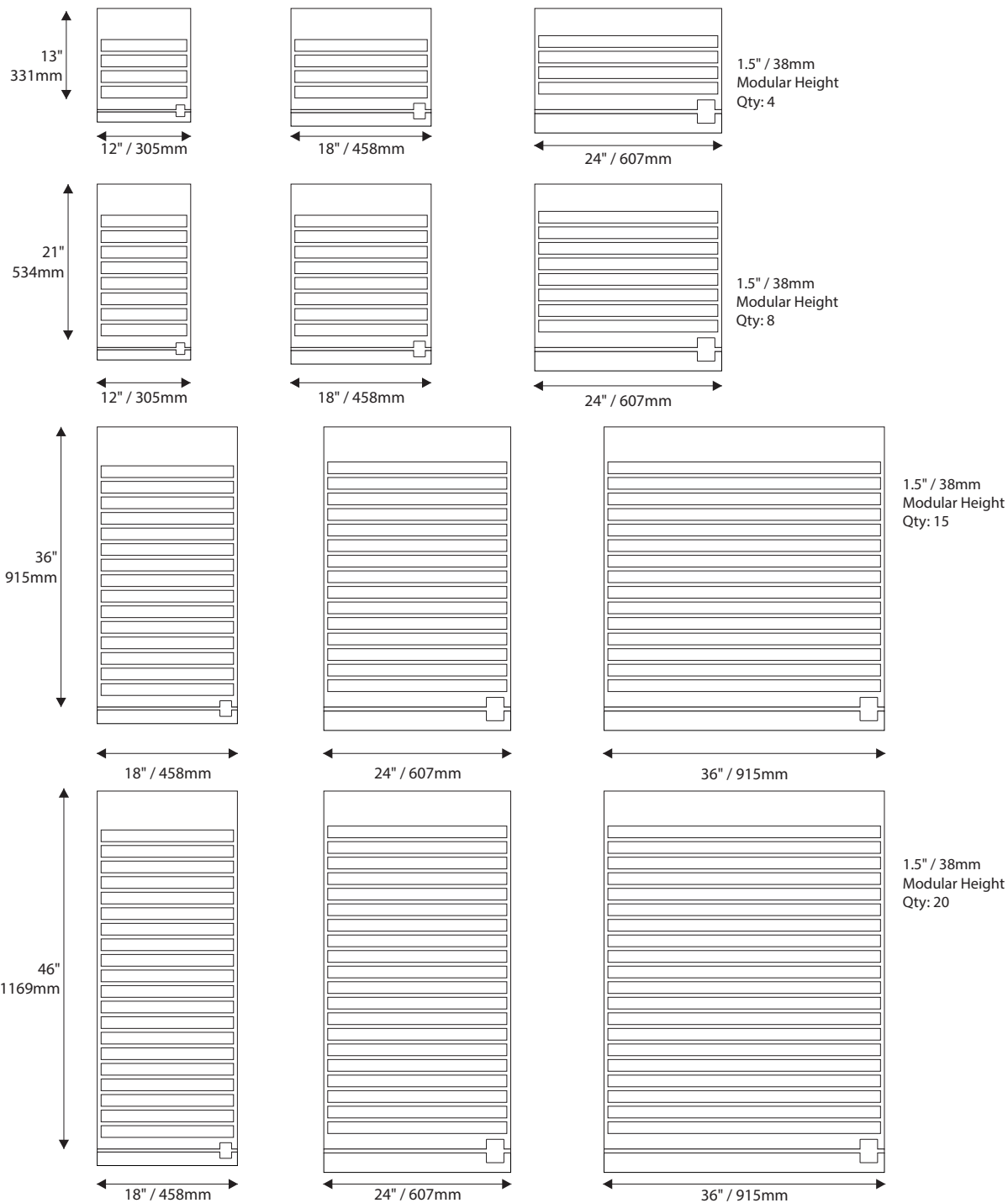
- Slider Displays are available in height of 1" (25mm) , 1.5" (38mm) and 2" (51mm)
- Slider displays are 1" (25mm) less the sign width.
- Slider display are printed to match the finish of the sign face.

IPC1934/REV.2

Standard Sizes

Santa Cruz Collection

Directories - Palladium Rigid Vinyl Sheet

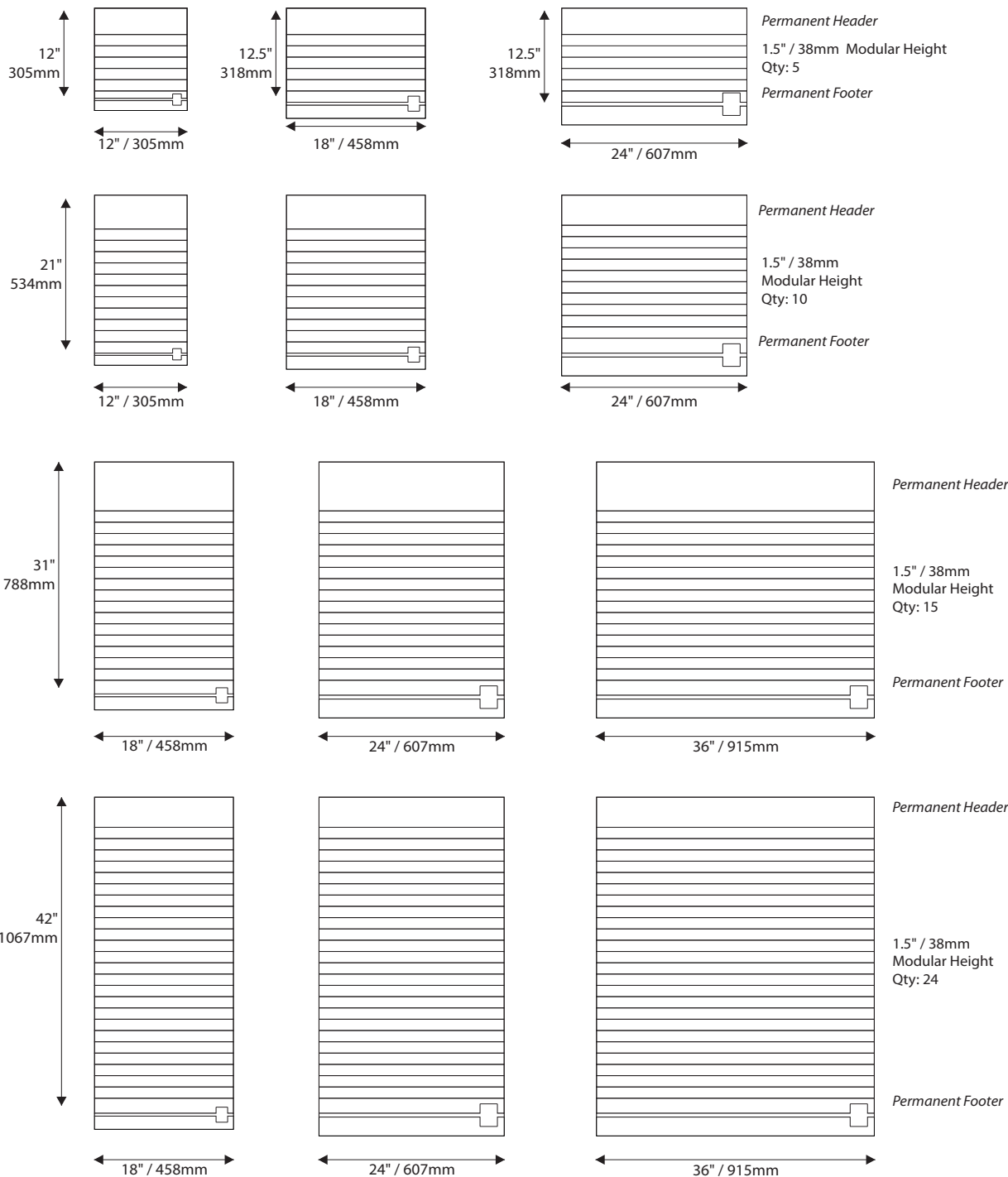


IPC1934/REV.2

Standard Sizes

Santa Cruz Collection

Directories - Digital Print

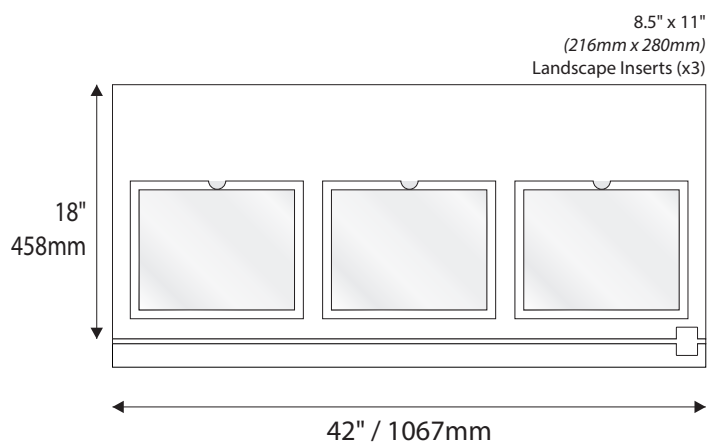
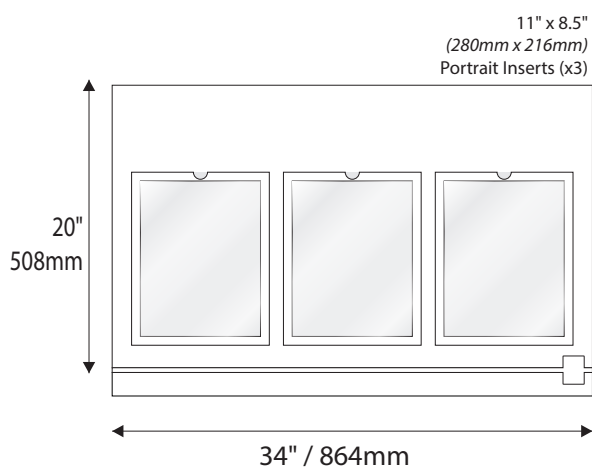
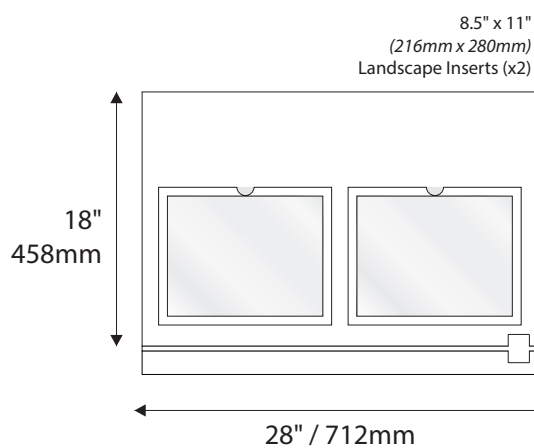
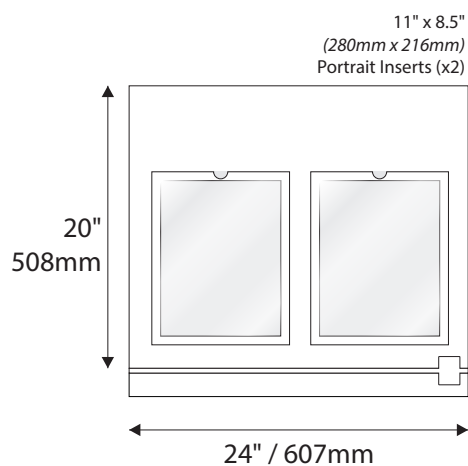
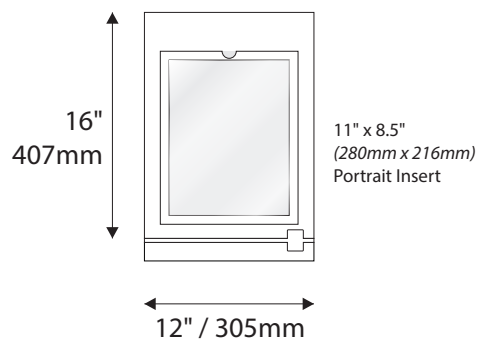
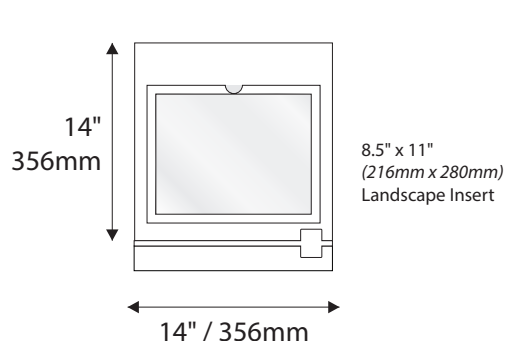


IPC1934/REV.2

Standard Sizes

Santa Cruz Collection

Modular Window Signs



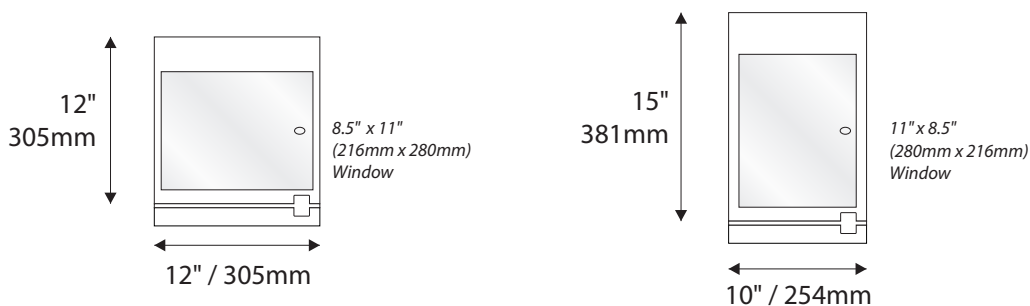
IPC1934/REV.2

Standard Sizes

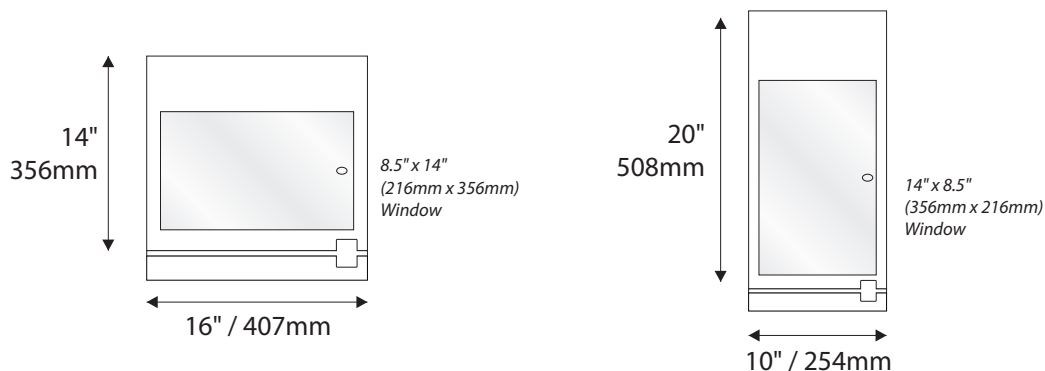
Santa Cruz Collection

Informational Window Sign

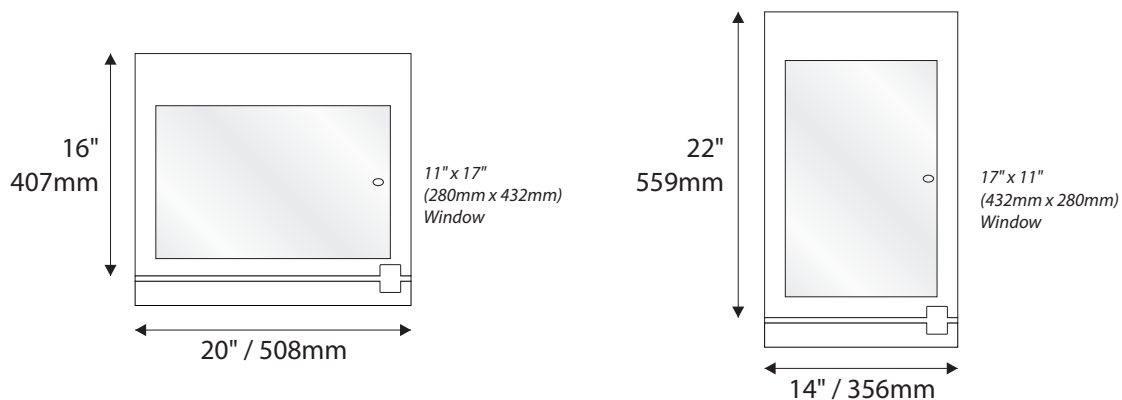
Letter



Legal



Ledger/Tabloid



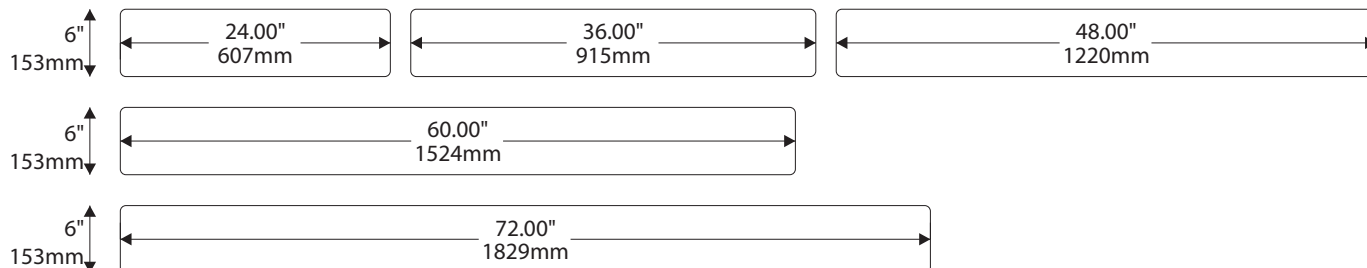
IPC1934/REV.2

Standard Sizes

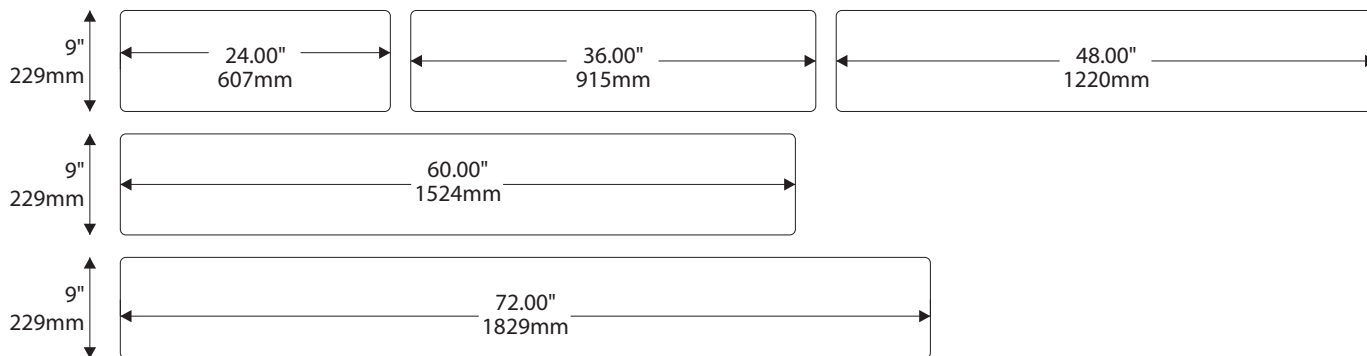
Santa Cruz Collection

Overhead (Ceiling) Mounted

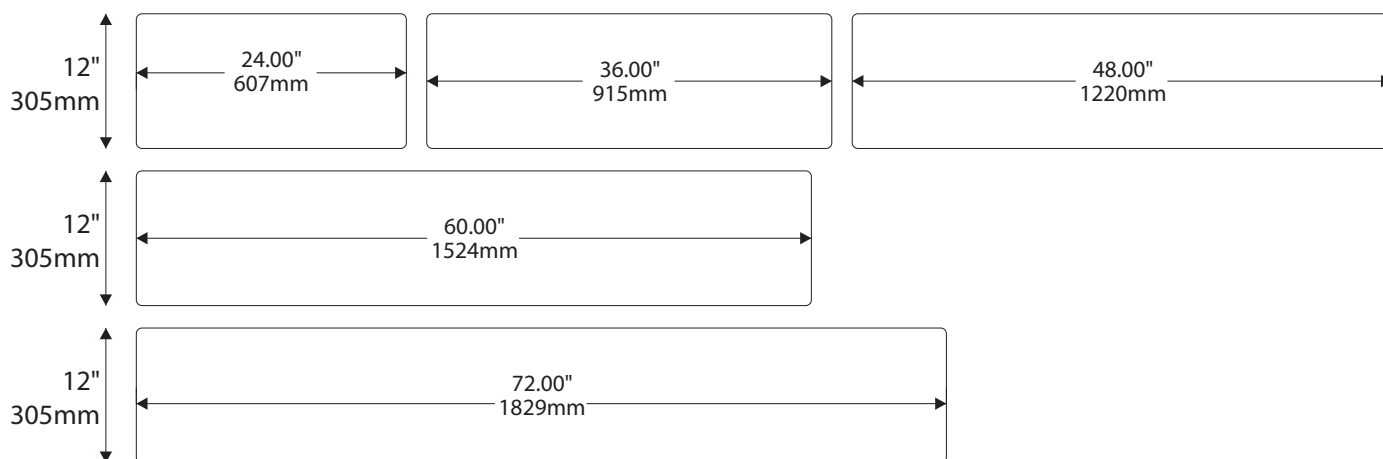
Due to the nature of InPro's overhead track system, the Santa Cruz shape is not available



6" H/ 153mm Overheads can accommodate up to (2) lines of 2" / 51mm Text



9"H/229mm Overheads can accommodate up to (3) lines of 2" / 51mm Text



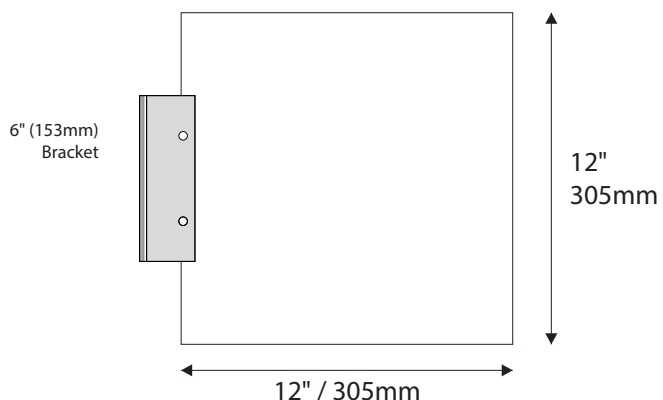
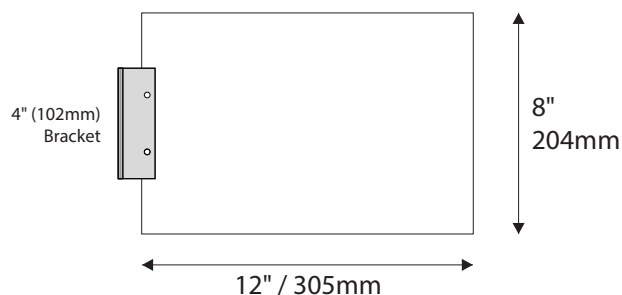
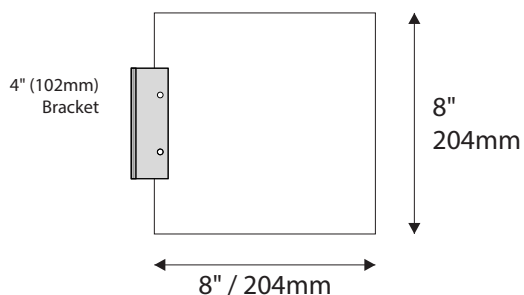
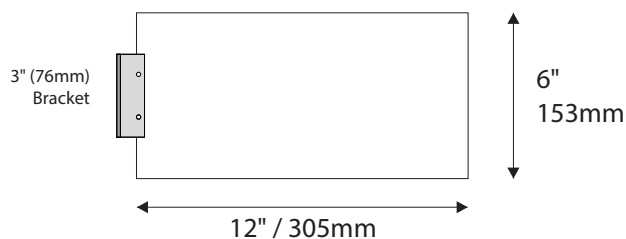
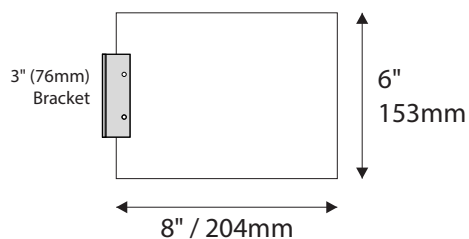
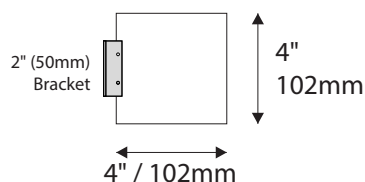
12"H/305mm Overheads can accommodate up to (4) lines of 2" / 51mm Text

IPC1934/REV.2

Standard Sizes

Santa Cruz Collection

Projection (Flag) Mounted



- All Projection Signs are double sided
- Bracket size will vary depending on sign size

IPC1934/REV.2