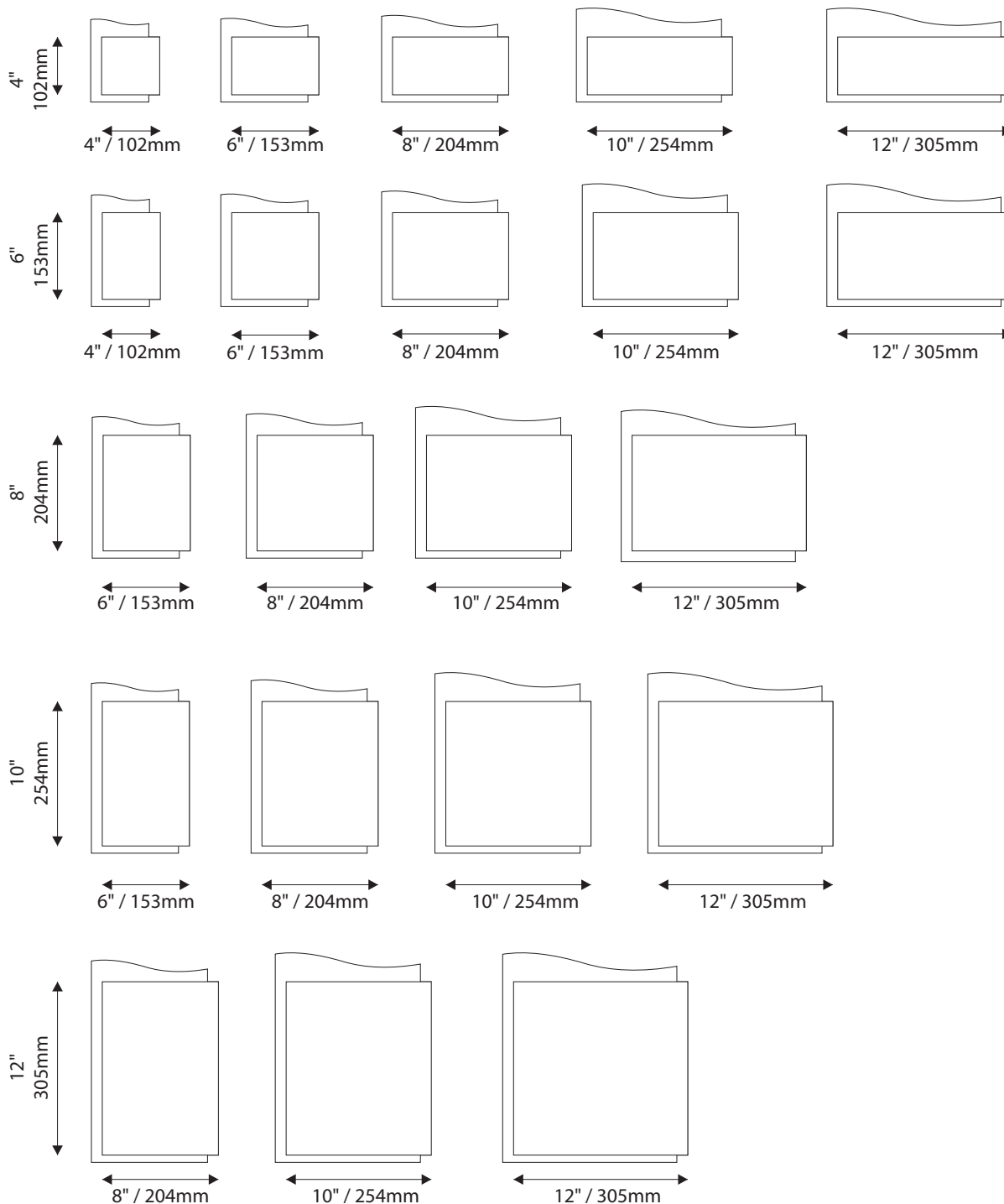


# Standard Sizes

# Seoul Collection

## ADA Room Identification/Informational

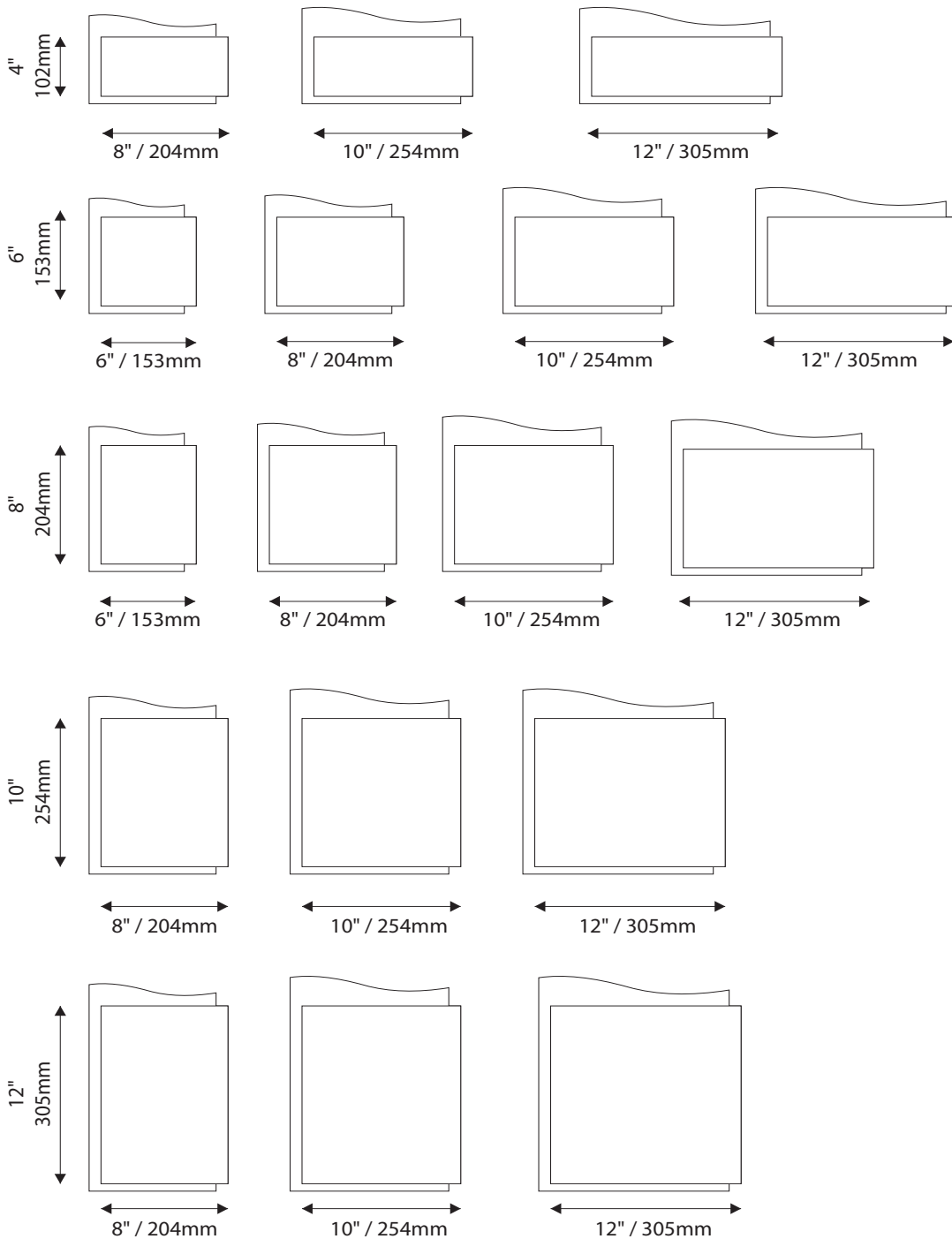


IPC1551/REV.3

# Standard Sizes

# Seoul Collection

## Informational / Directional

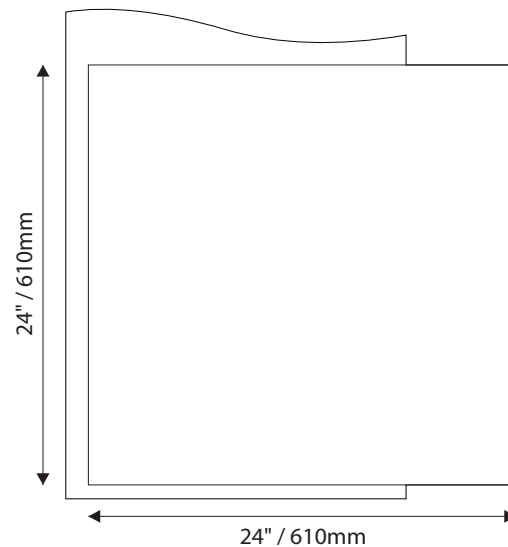
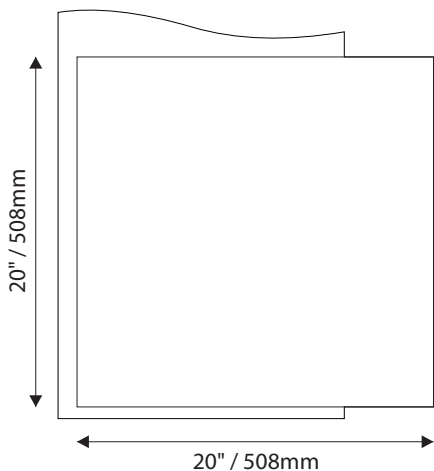
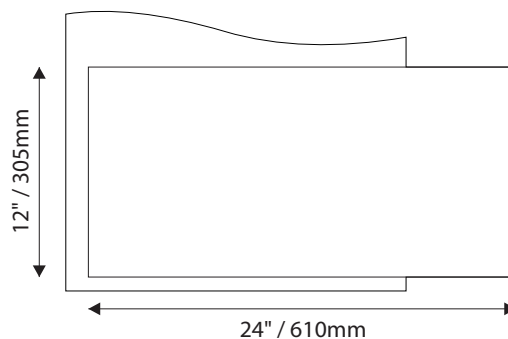
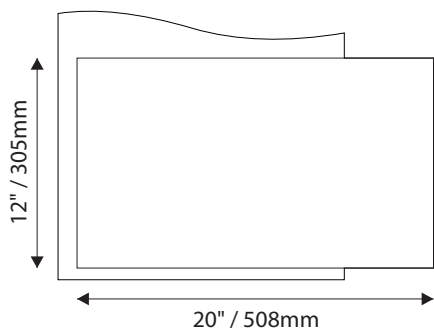
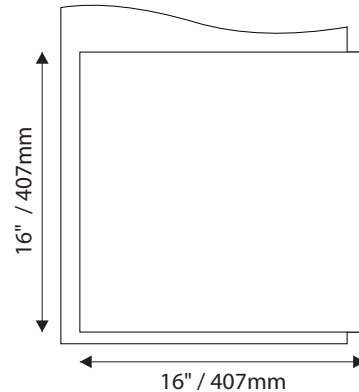
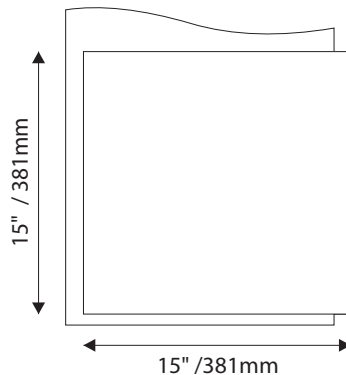
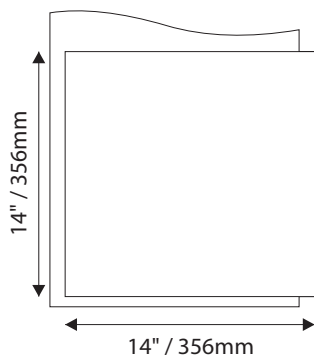


IPC1551/REV.3

# Standard Sizes

# Seoul Collection

## Informational / Directional

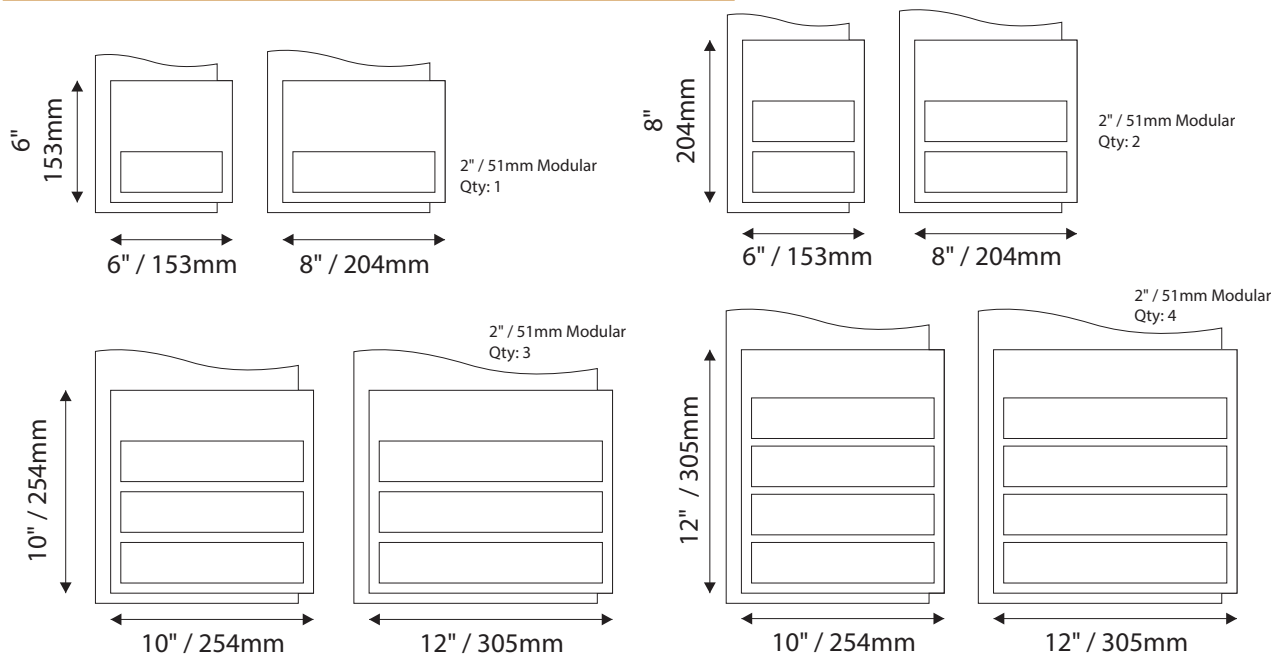


IPC1551/REV.3

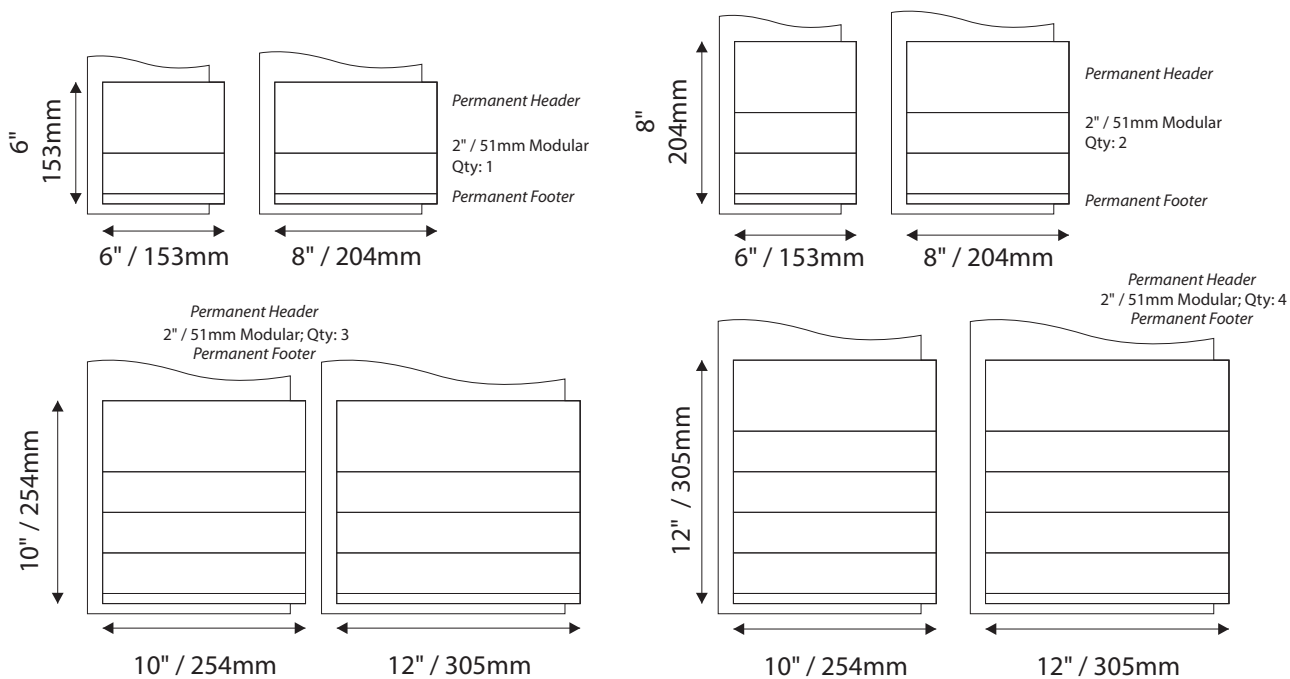
# Standard Sizes

# Seoul Collection

## Room Identification with Modular - Palladium Rigid Vinyl Sheet



## Room Identification with Modular - Photopoly/Digital Print

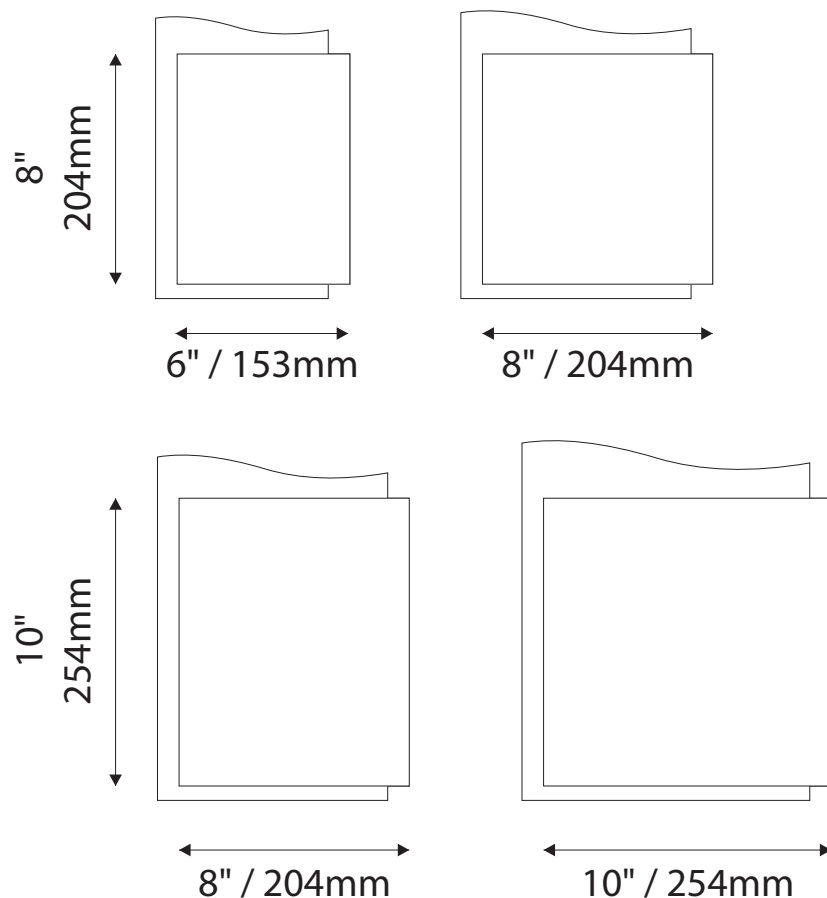


IPC1551/REV.3

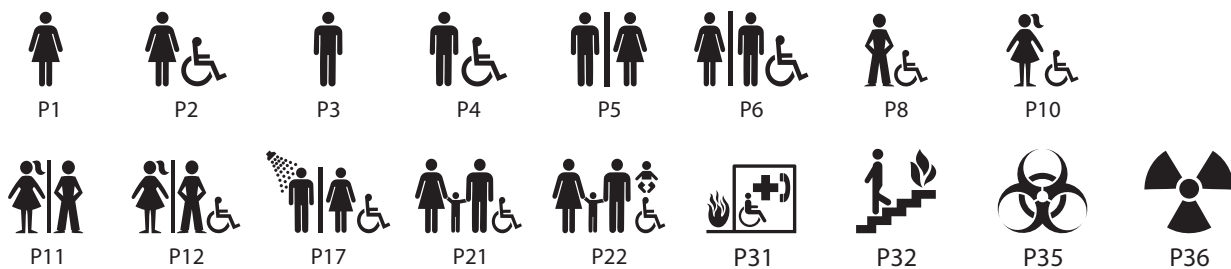
# Standard Sizes

# Seoul Collection

## ADA Regulatory



## Common Pictograms

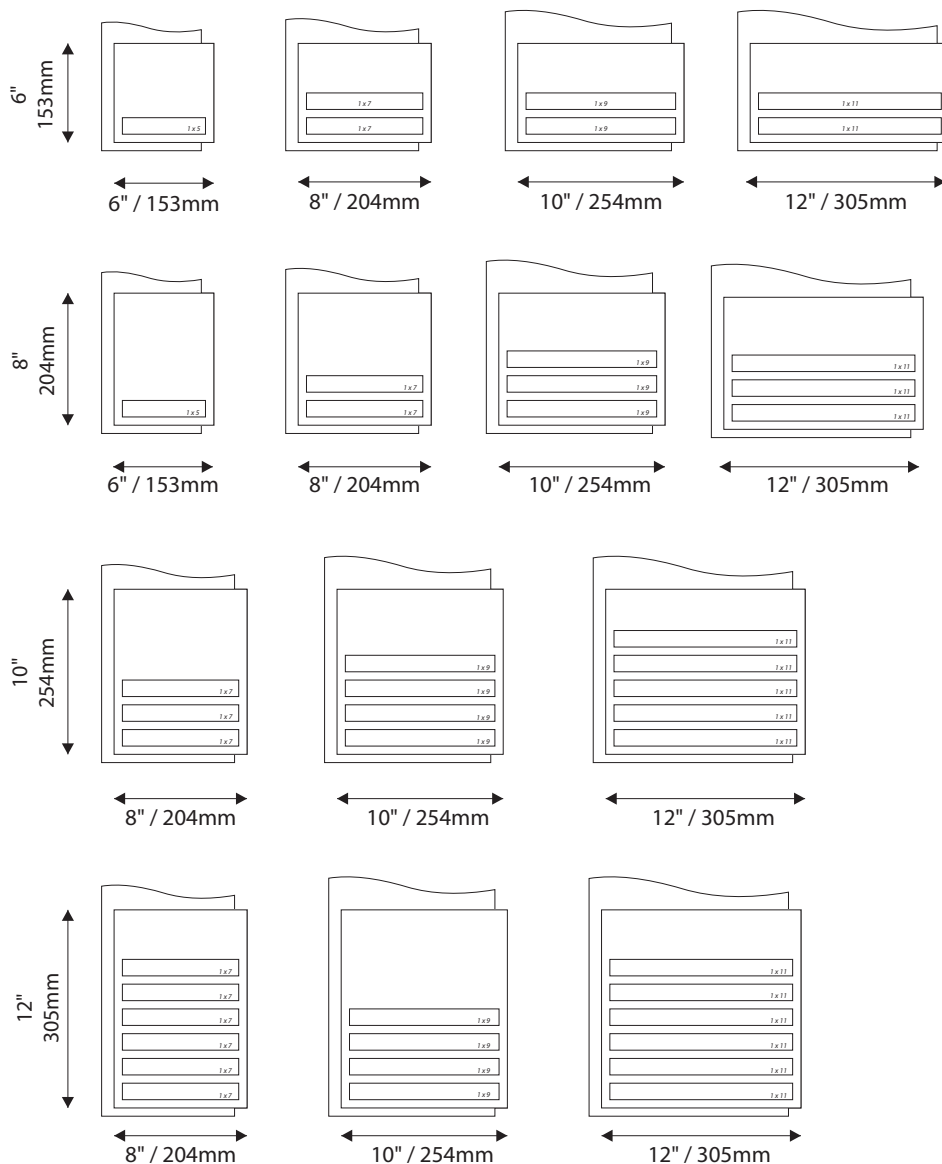


IPC1551/REV.3

# Standard Sizes

# Seoul Collection

## Room Identification with Window



- Window Sizes available from ½" (12mm) to 5.5" (140mm)
- Windows widths are typically 1" (25mm) less the sign width
- Edge to Edge windows are available in painted signs.
- All signs come standard with a finger notch for easy removal.

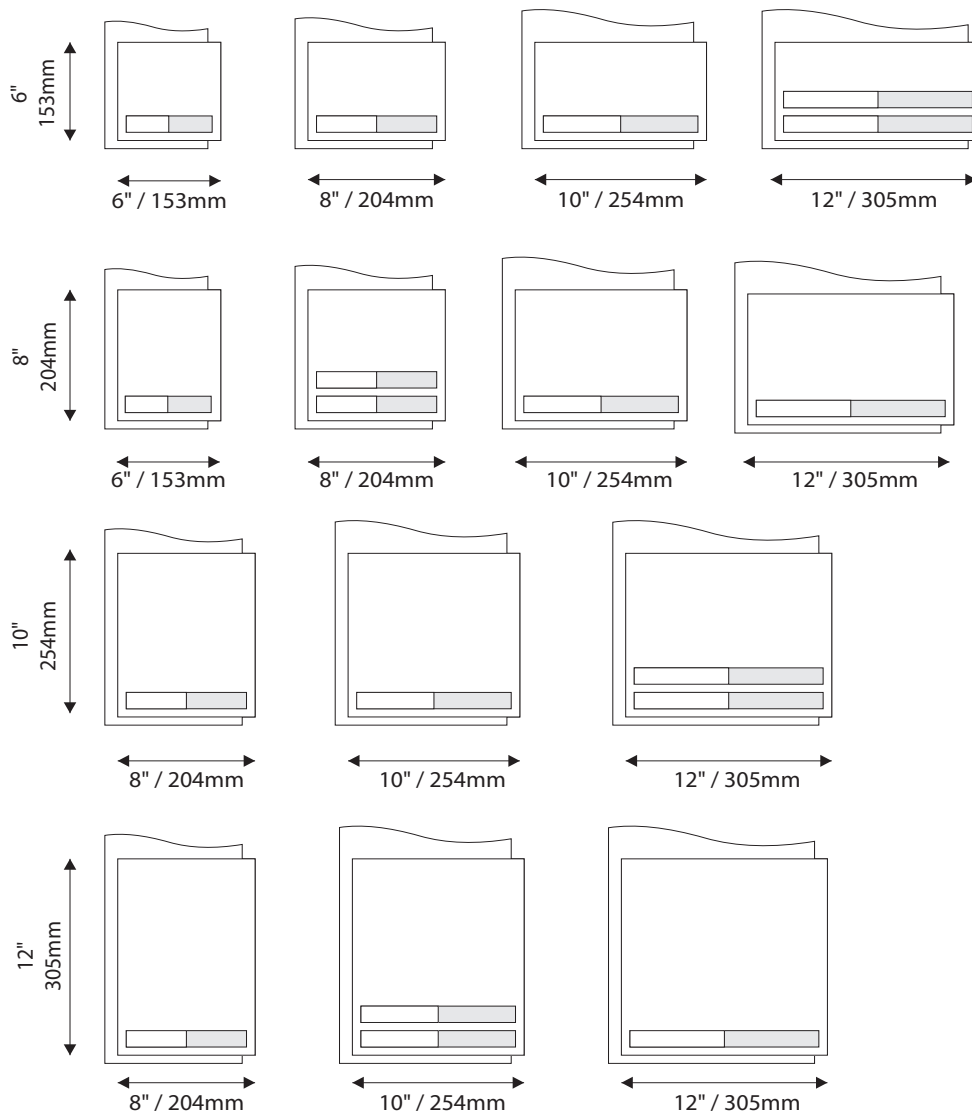
- InPro Corporation does not provide printed window inserts
- Ready to print Microsoft Word® templates are available for download at [inprocorp.com/templates](http://inprocorp.com/templates)

IPC1551/REV.3

# Standard Sizes

# Seoul Collection

## Room Identification with Slider Display



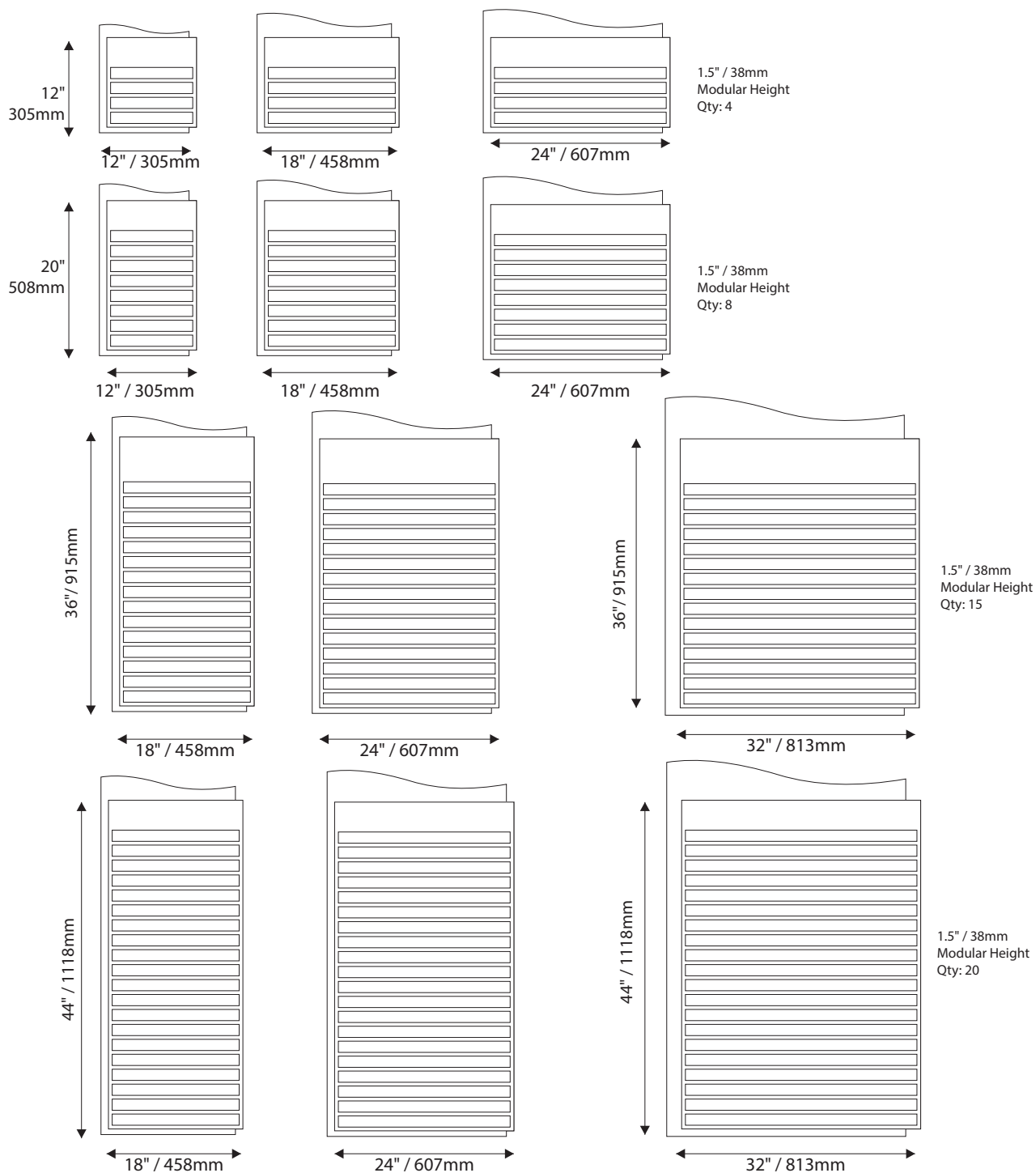
- Slider Displays are available in height of 1" (25mm) , 1.5" (38mm) and 2" (51mm)
- Slider displays are 1" (25mm) less the sign width.
- Slider display are printed to match the finish of the sign face.
- All slider display text is permanent and can not be changed or updated.

IPC1551/REV.3

# Standard Sizes

# Seoul Collection

## Directories - Palladium Rigid Vinyl Sheet



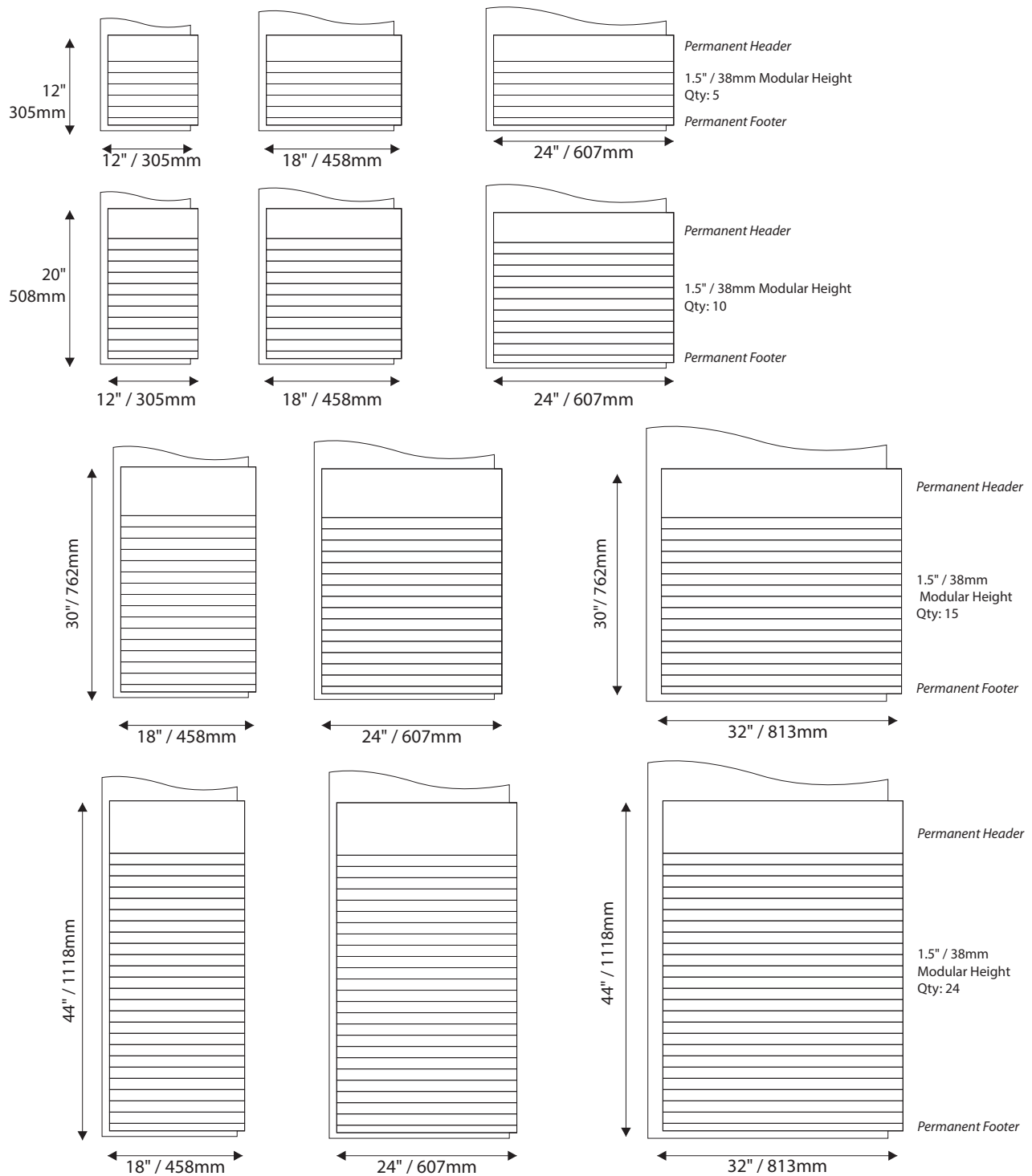
IPC1551/REV.3



# Standard Sizes

# Seoul Collection

## Directories - Digital Print

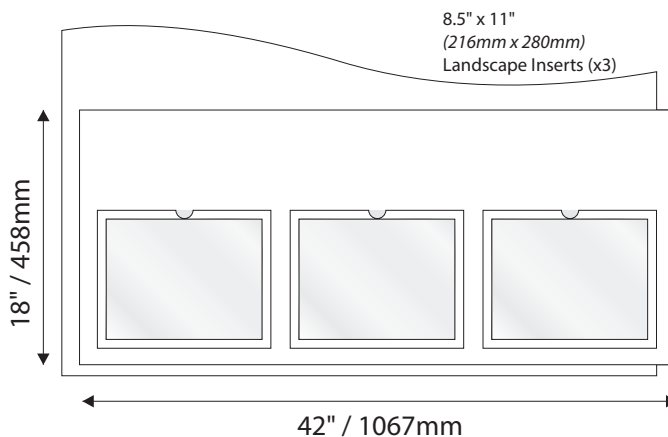
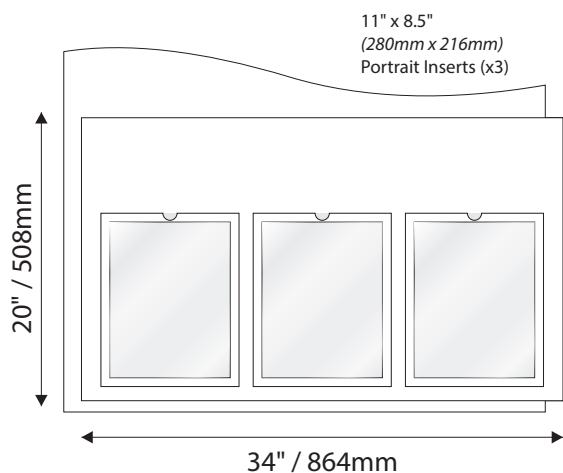
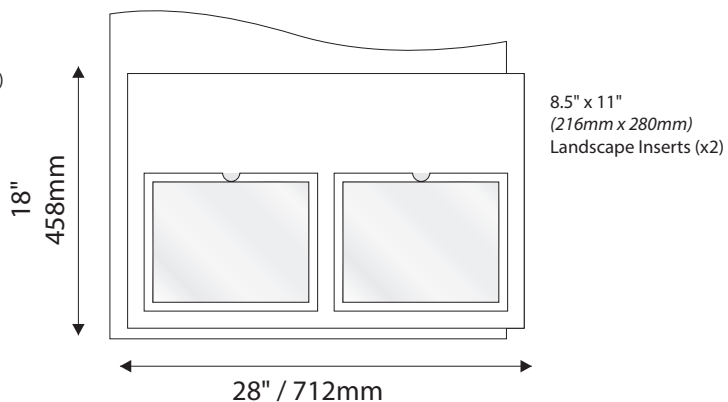
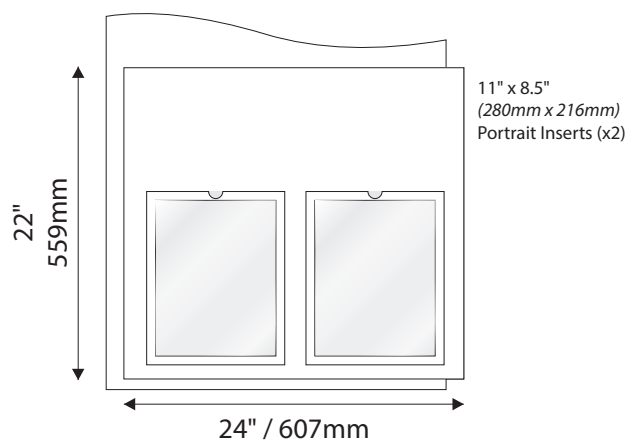
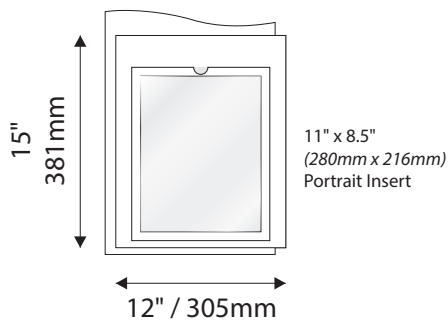
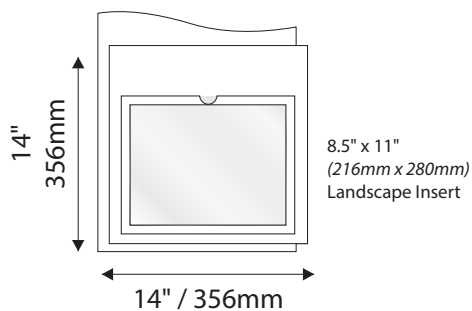


IPC1551/REV.3

# Standard Sizes

# Seoul Collection

## Modular Window Sign



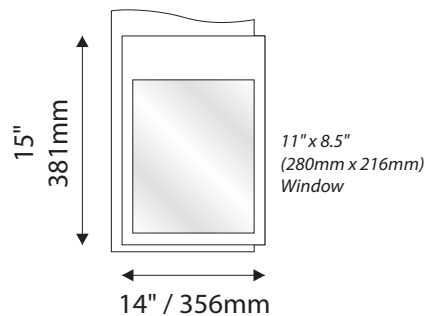
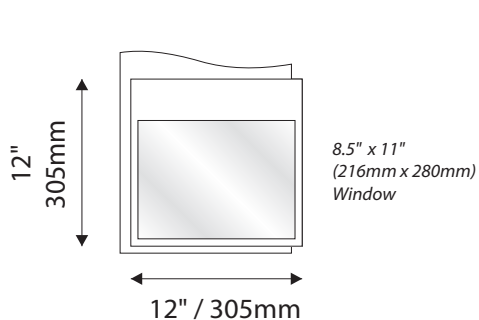
IPC1551/REV.3

# Standard Sizes

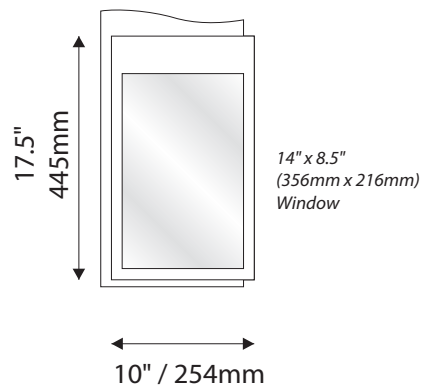
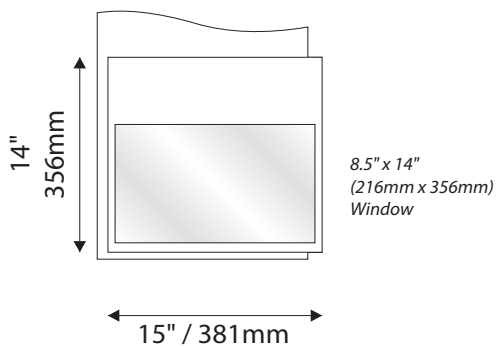
# Seoul Collection

## Informational Window Sign

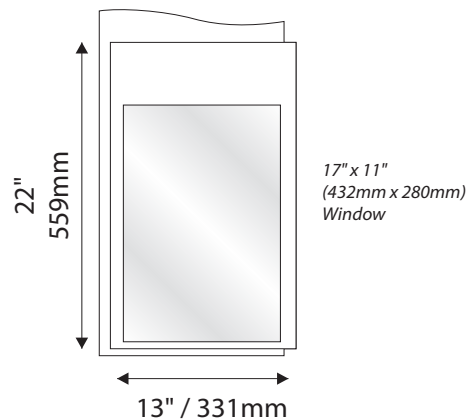
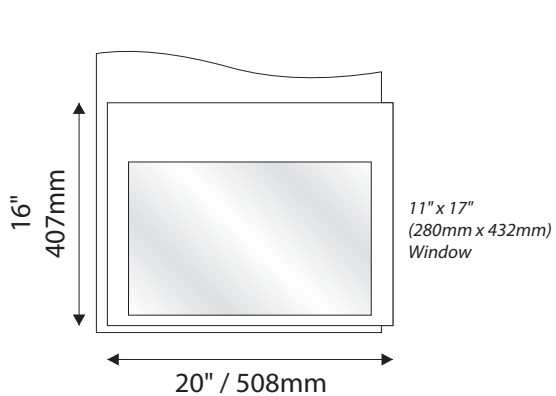
### Letter



### Legal



### Ledger/Tabloid



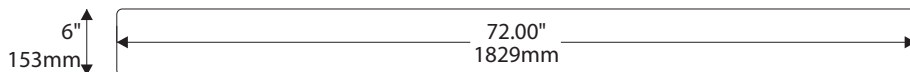
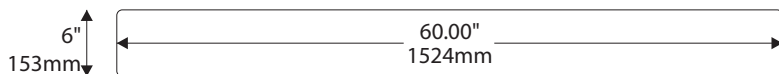
IPC1551/REV.3

# Standard Sizes

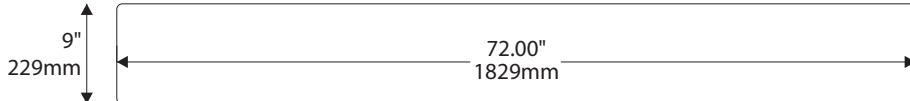
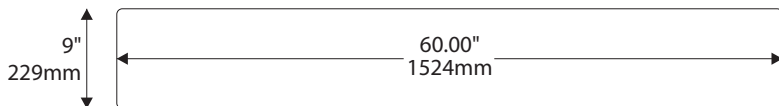
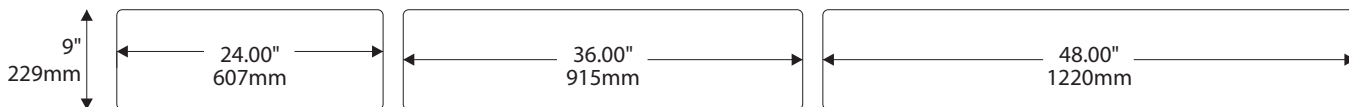
# Seoul Collection

## Overhead (Ceiling) Mounted

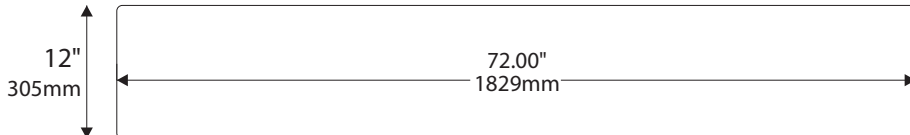
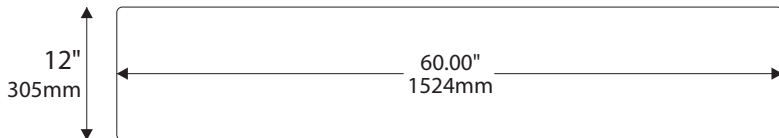
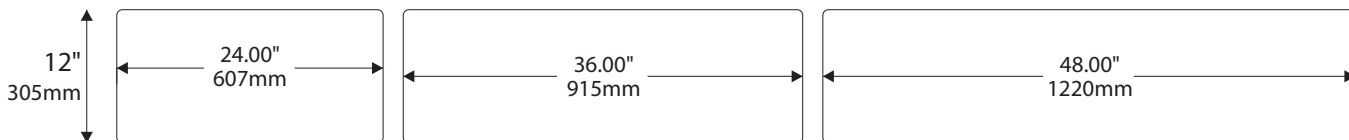
*Due to the nature of InPro's overhead track system, the Seoul shape is not available*



6" H/ 153mm Overheads can accommodate up to (2) lines of 2" / 51mm Text



9"H/229mm Overheads can accommodate up to (3) lines of 2" / 51mm Text



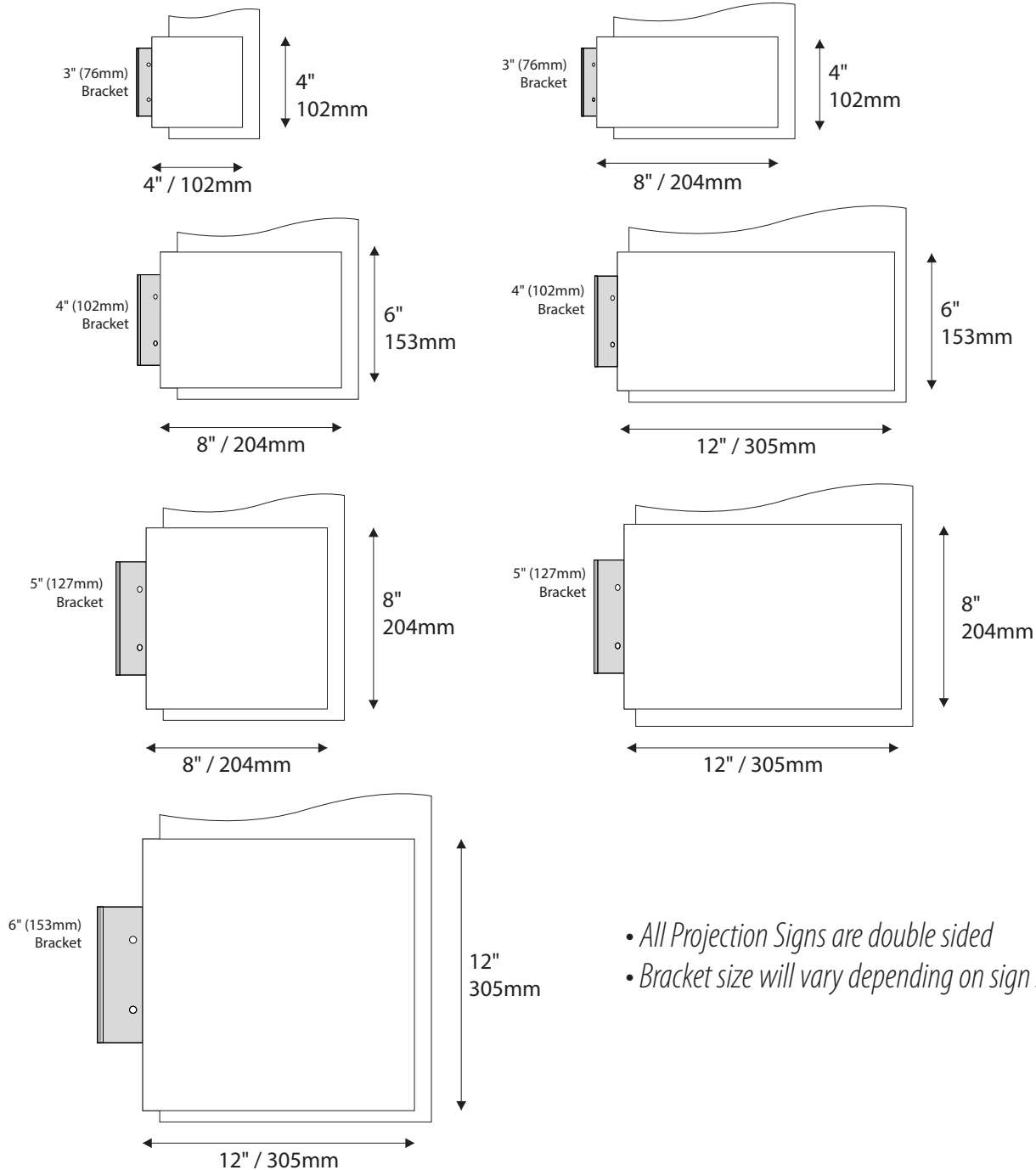
12"H/305mm Overheads can accommodate up to (4) lines of 2" / 51mm Text

IPC1551/REV.3

# Standard Sizes

# Seoul Collection

## Projection (Flag) Mounted



- All Projection Signs are double sided
- Bracket size will vary depending on sign size

IPC1551/REV.3