

# Installation Instructions

## Stainless Steel Column Covers

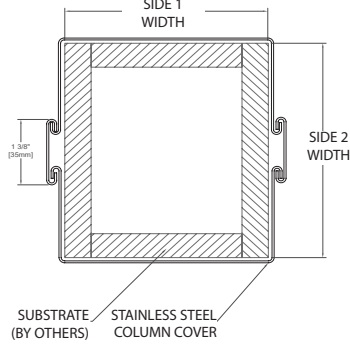
Please read all instructions before installing column covers

### Important:

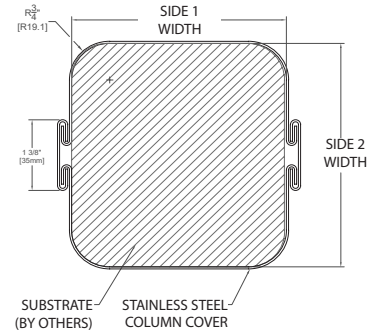
1. Acclimate Stain Steel Column Cover, Trim, adhesives and wall substrates to room temperature 24 hours before installation. Ensure product is on a level surface while acclimating.
2. 24 hours before, during and 48 hours after installation, maintain a building temperature between 70°-80° F (21°- 26° C) and keep humidity below 80%.
3. Substrate must be dry, well sealed and free of dirt, loose paint, wax and grease. Glossy surfaces may require sanding or priming to help promote adhesion.
4. Remove any coatings designed to improve clean-up as these coatings may affect adhesion.
5. If available review related project drawings for the install.
6. Clean and scrape column of all debris.
7. Remove screws, nails, and old adhesive. Wipe surfaces clean to remove dust. Dust may prevent full adhesion of the product.
8. Clean the inside of the column wrap to remove any dust or debris before applying adhesives.

### SECTION VIEWS

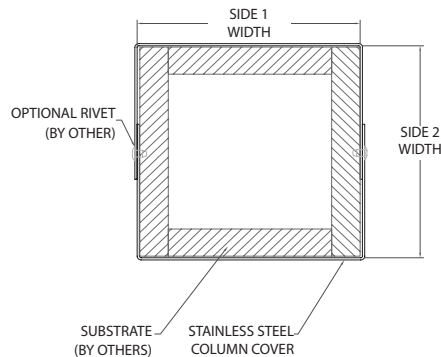
**Slide Lock Column Cover**  
**SAS-SLDL**



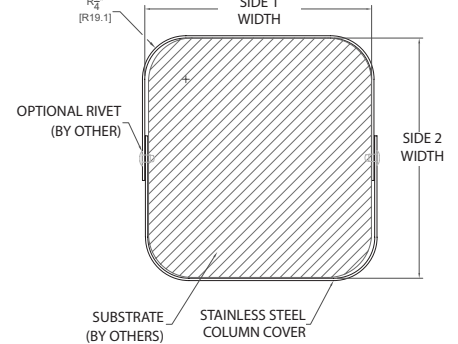
**Slide Lock 3/4" Radius Column Cover**  
**SAS-SLDL34**



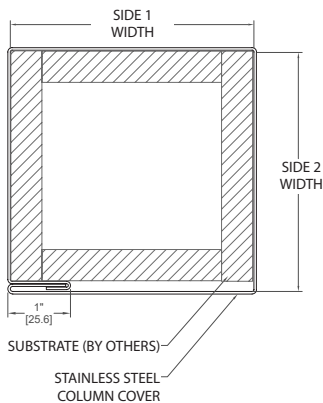
**Standard Column Cover**  
**SAS-STANDARD**



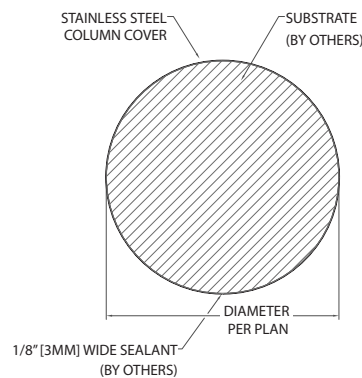
**Standard 3/4" Radius Column Cover**  
**SAS-STANDARD34**



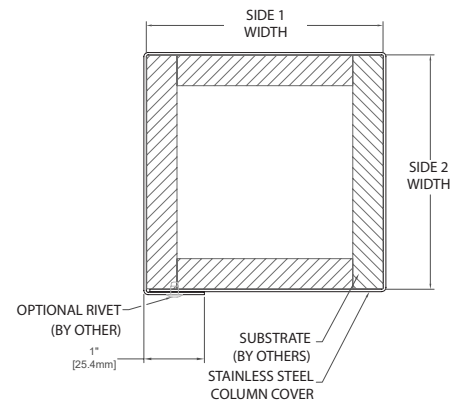
**Snap Lock Column Cover**  
**SAS-SLDL**



**Round Column Cover**  
**SAS-RNDCOLMN12 | SAS-RNDCOLMN16**



**Secure Lock Column Cover**  
**SAS-SECL**



### Recommended tools:

Materials needed: Rags, mineral spirits, caulk gun, Pecora R120 primer, Pecora 895 NST Adhesive (Color #515 aluminum stone), tape, PPE, gloves, parallel clamps or continuous straps.

IPC.3462/REV1

IPC® Door + Wall Protection

inpro.com • 800.222.5556 • 262.679.9010

World Headquarters S80 W18766 Apollo Drive, Muskego, WI 53150 USA

Installation Hotline: 866.394.6776

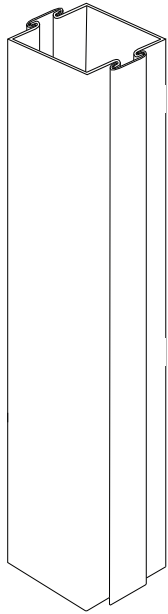
**inpro**®

# Installation Instructions

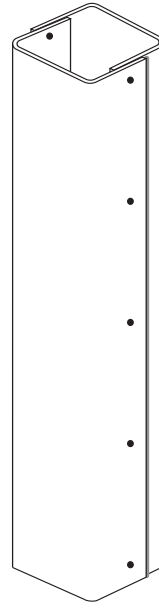
## Stainless Steel Column Covers

Please read all instructions before installing column covers

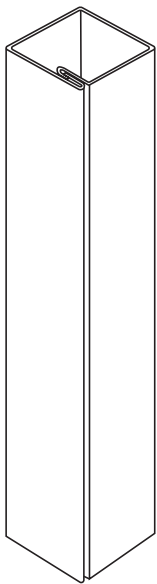
### Component Overview



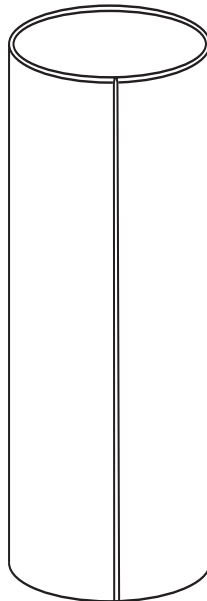
Slide Lock Column Cover  
SAS-SLDL (Standard Corner)  
SAS-SLDL34 (3/4" Radius Corner)



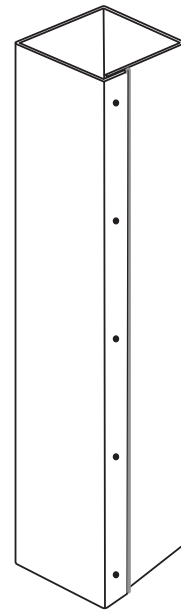
Standard Column Cover  
SAS-2PCSTANDARD (Standard Corner)  
& SAS-STANDARD34 (3/4" Radius Corner)



Snap Lock Column Cover  
SAS-SNPL



Round Column Cover  
SAS-RNDCOLMN12 (12" Diameter)  
SAS-RNDCOLMN16 (16" Diameter)



Secure Lock Column Cover  
SAS-SECL

IPC® Door + Wall Protection

[inpro.com](http://inpro.com) • 800.222.5556 • 262.679.9010

World Headquarters S80 W18766 Apollo Drive, Muskego, WI 53150 USA

Installation Hotline: 866.394.6776

**inpro**®

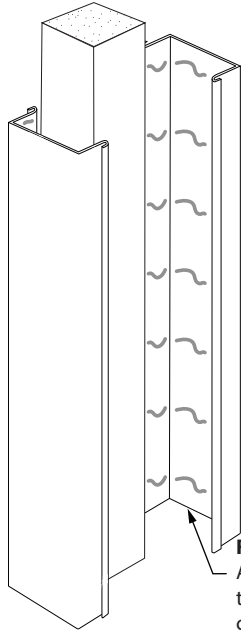
# Installation Instructions

Please read all instructions before installing column covers

## Stainless Steel Column Covers | Slide Lock

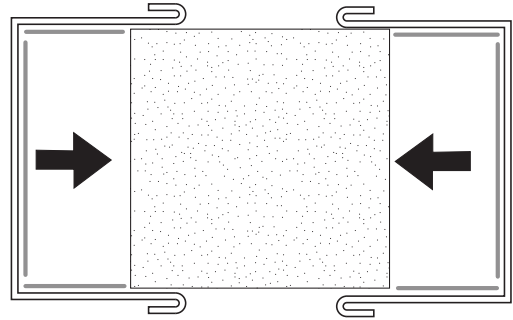
### Installation

1. Prep surface of column per notes on first page.
2. Dry fit all components. Verify fit of all parts prior to adding adhesive.
3. Apply adhesive to the inside faces of column cover. (See fig.1.1)

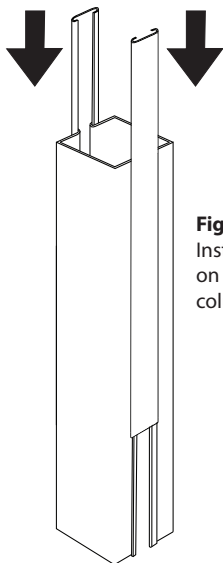


**Figure 1.1**  
Apply adhesive to inside of column cover.

**Figure 1.2**  
Apply adhesive to inside of column cover.

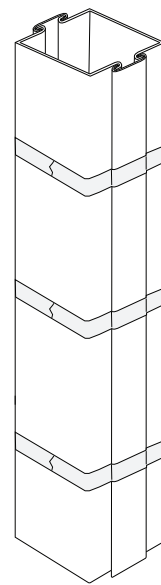


4. Install each column wrap half into position on column. (See fig.1.2)
5. Install slide lock clip on both sides of column wrap. (See fig. 1.3) Adhesive should be used to hold locks in place.
6. Use tape or straps to hold the parts in place while adhesive cures. (See fig. 1.4)



**Figure 1.3**  
Install slide lock on both sides of column wrap

**Figure 1.4**  
Use tape or straps to hold the parts in place



IPC® Door + Wall Protection

[inpro.com](http://inpro.com) • 800.222.5556 • 262.679.9010

World Headquarters S80 W18766 Apollo Drive, Muskego, WI 53150 USA

Installation Hotline: 866.394.6776

**inpro**®

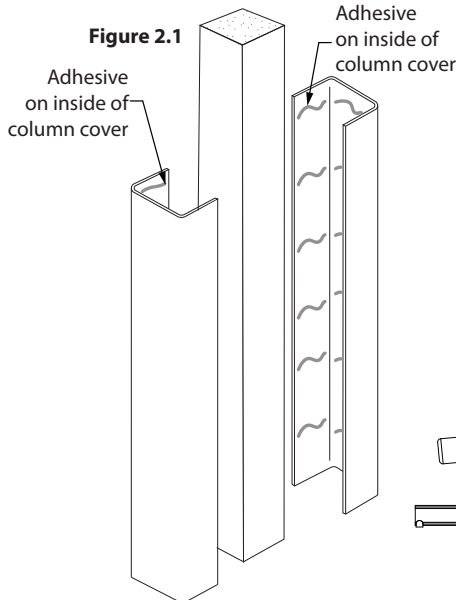
# Installation Instructions

## Stainless Steel Column Covers | Standard

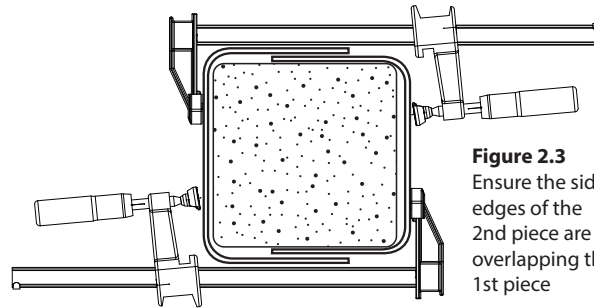
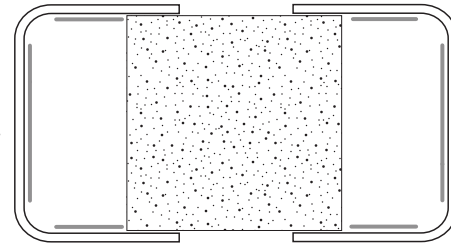
Please read all instructions before installing column covers

### Installation

1. Prep surface of column per notes on first page.
2. Apply adhesive to the inside of the column wrap. Apply 1/4" [6mm] bead of adhesive horizontally on each interior face, evenly space the beads of adhesive down the height of the column wrap. (See fig.2.2)
3. Install the 1st piece of the column wrap, slide it onto the column and press it firmly against the surface to ensure adhesion.
4. Repeat the cleaning and adhesive instructions to prepare the 2nd piece.

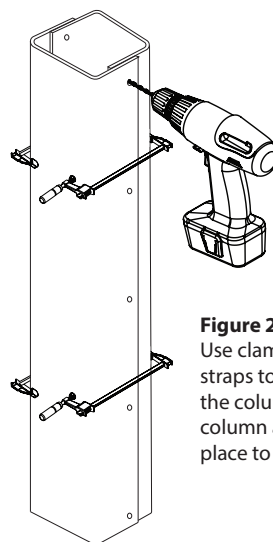


**Figure 2.2**  
Apply adhesive to inside of column cover.

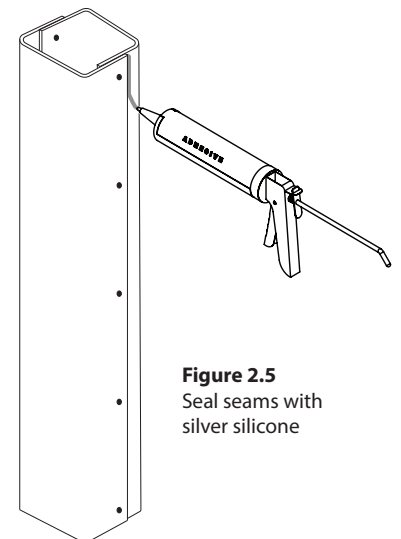


**Figure 2.3**  
Ensure the side edges of the 2nd piece are overlapping the 1st piece

5. Install the 2nd piece of column wrap in the same manner as the 1st but ensure the side edges of the 2nd piece are overlapping the 1st piece.(See fig.2.3)
6. Use parallel clamps or continuous ratchet straps to tighten the column wrap to the column and hold in place.(See fig.2.4)
7. Once wrap is placed on the column drill holes and install rivets or screws.(See fig.2.4) It is recommended to place all rivets (by others) 1/2" from the outside edge, the top rivet 1/2" (13mm) from the top of the column wrap, then your bottom rivet 1 1/2" from the bottom and each additional rivet spaced evenly with max 16" between the top and bottom rivets and a minimum of four rivets between top and bottom.



**Figure 2.4**  
Use clamps or ratchet straps to tighten the column wrap to column and hold in place to drill holes



**Figure 2.5**  
Seal seams with silver silicone

8. Remove protective PVC coating and wipe clean.
9. If required, seal seams with silver silicone.(See fig.2.5) If sealing the seams is not required, wipe the column wrap with mineral spirits to remove adhesive, marks, or blemishes.
10. NOTE: Please allow adhesive 24 hours minimum to properly cure.

IPC® Door + Wall Protection

inpro.com • 800.222.5556 • 262.679.9010

World Headquarters S80 W18766 Apollo Drive, Muskego, WI 53150 USA

Installation Hotline: 866.394.6776

**inpro**®

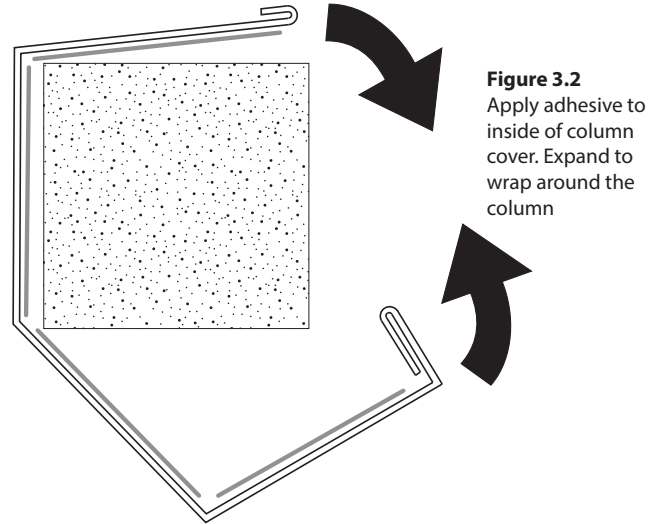
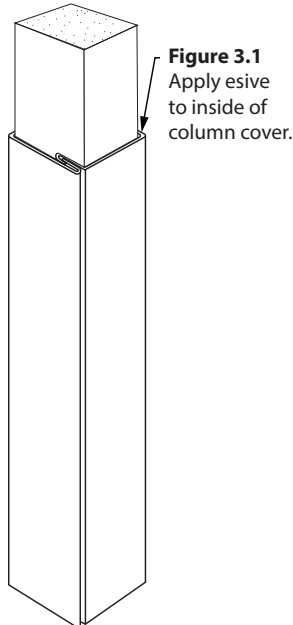
# Installation Instructions

Please read all instructions before installing column covers

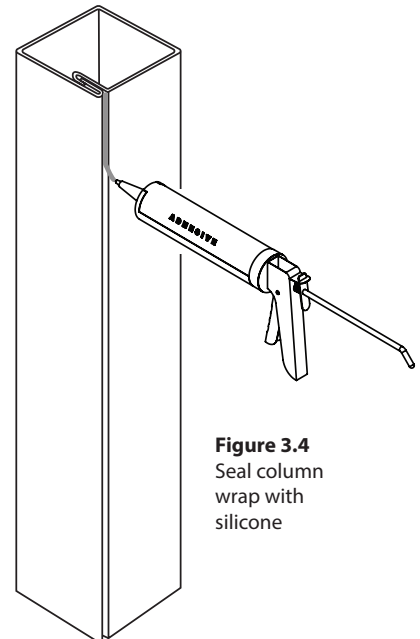
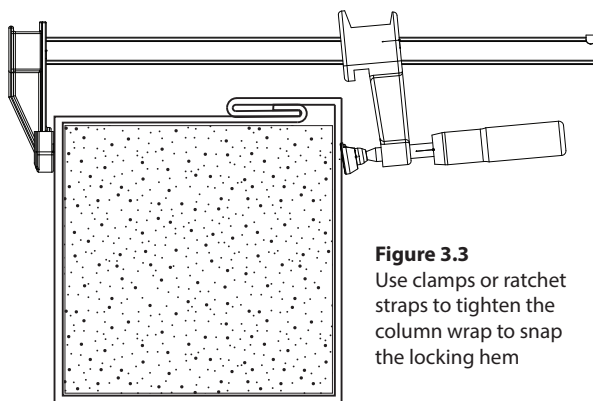
## Stainless Steel Column Covers | Snap Lock

### Installation

1. Prep surface of column per notes on first page.
2. Apply adhesive to the inside of the column wrap. (See fig.3.1) Apply 1/4" [6mm] bead of adhesive horizontally on each interior face, evenly space the beads of adhesive down the height of the column wrap.
3. Using the open end of the column cover, expand to wrap around the column. (See fig.3.2)
4. Use parallel clamps or ratchet straps to tighten the column wrap to the column and to snap into the locking hem. (See fig.3.3)



5. Remove protective PVC coating and seal column wrap with silicone. (See fig.3.4)
6. Wipe clean with mineral spirits to remove and glue, marks, or blemishes.
7. NOTE: Please allow glue 24 hours minimum to properly cure.



IPC® Door + Wall Protection

inpro.com • 800.222.5556 • 262.679.9010

World Headquarters S80 W18766 Apollo Drive, Muskego, WI 53150 USA

Installation Hotline: 866.394.6776

**inpro**®

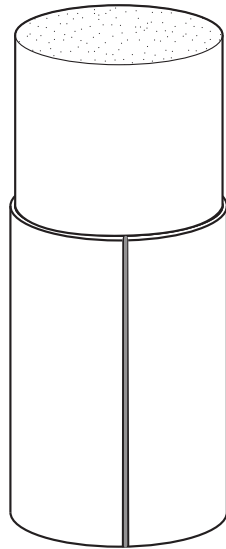
# Installation Instructions

Please read all instructions before installing column covers

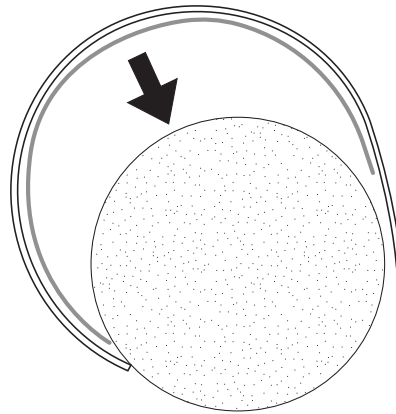
## Stainless Steel Column Covers | Round Column Cover

### Installation

1. Prep surface of column per notes on first page.
2. Apply adhesive to the inside of the column wrap. (See fig.4.1) Apply 1/4" [6mm] bead of adhesive horizontally on each interior face, evenly space the beads of adhesive down the height of the column wrap.
3. Using the open end of the column cover, expand to wrap around the column. (See fig.4.2 )
4. Use ratchet straps to tighten the column wrap to the column (See fig.4.3)

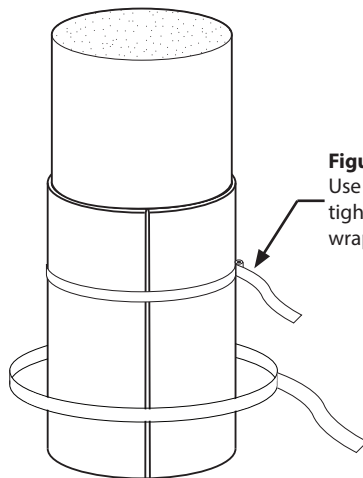


**Figure 4.1**  
Apply adhesive to inside of column cover.

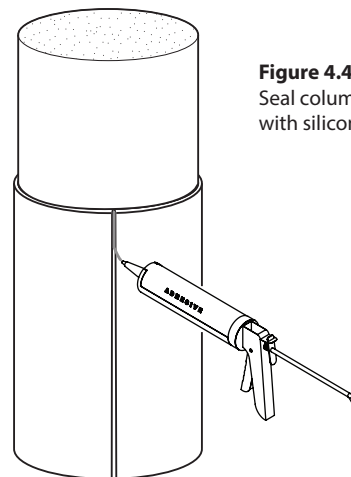


**Figure 4.2**  
Apply adhesive to inside of column cover. Expand to wrap around the column

5. Remove protective PVC coating and seal column wrap with silicone. (See fig.4.4)
6. Wipe clean with mineral spirits to remove and glue, marks, or blemishes.
7. NOTE: Please allow glue 24 hours minimum to properly cure.



**Figure 4.3**  
Use ratchet straps to tighten the column wrap to the column



**Figure 4.4**  
Seal column wrap with silicone

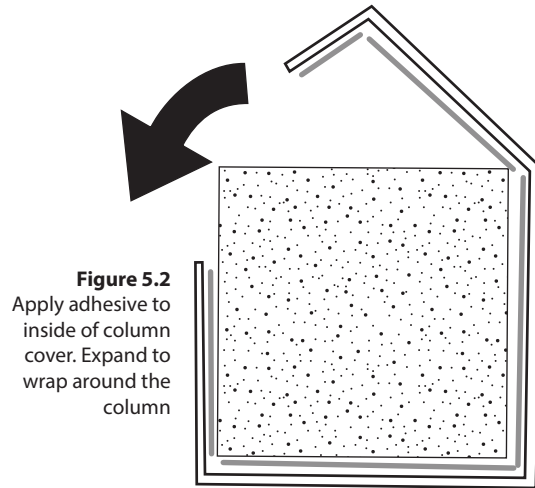
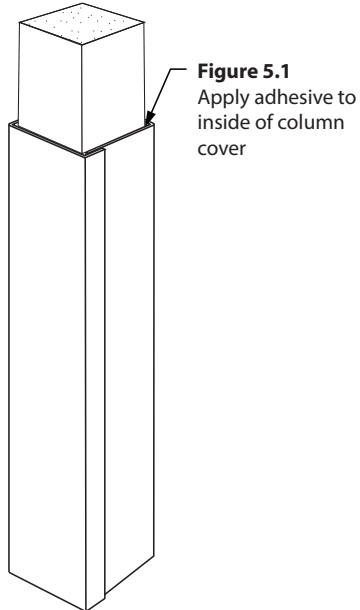
# Installation Instructions

Stainless Steel Column Covers | Secure Lock

Please read all instructions before installing column covers

## Installation

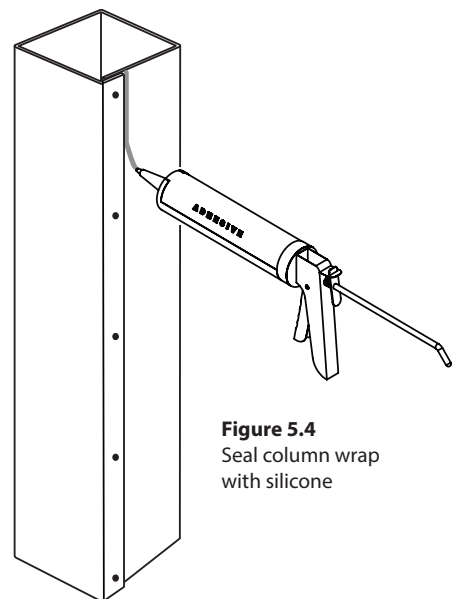
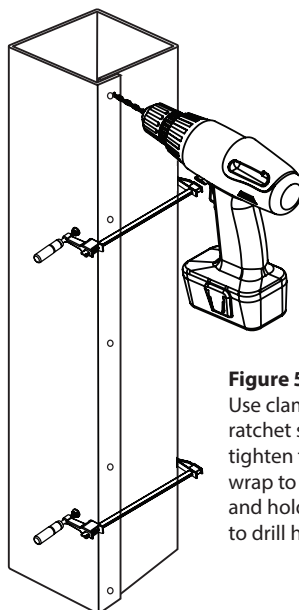
1. Prep surface of column per notes on first page.
2. Apply adhesive to the inside of the column wrap.(See fig.5.1)
3. Using the open end of the column cover, expand to wrap around the column. (See fig.5.2)
4. Use parallel clamps or ratchet straps to tighten the column wrap to the column and hold in place while drilling in rivets. (See fig.5.3)



5. Once wrap is placed on the column drill holes and install rivets or screws. (See fig.5.3) It is recommended to place all rivets  $\frac{1}{2}$ " from the outside edge, the top rivet  $\frac{1}{2}$ " from the top of the column wrap, then your bottom rivet  $1 \frac{1}{2}$ " from

the bottom and each additional rivet spaced evenly with max 16" between the top and bottom rivets and a minimum of four rivets between top and bottom.

6. Remove protective PVC coating and seal column wrap with silicone. (See fig.5.4)
7. Wipe clean with mineral spirits to remove glue, marks, or blemishes.
8. NOTE: Please allow glue four hours minimum to properly cure



IPC® Door + Wall Protection

inpro.com • 800.222.5556 • 262.679.9010

World Headquarters S80 W18766 Apollo Drive, Muskego, WI 53150 USA

Installation Hotline: 866.394.6776

**inpro**®

# Installation Instructions

## Stainless Steel Column Covers

---

Please read all instructions before  
installing column covers

### Maintenance

#### Cleaning

Fingerprints and smudges can be removed using a non-chlorinated spray cleaner/degreaser and a microfiber cloth. Do not use harsh abrasives, acids, or chlorine-based cleaners or cleaning tools containing carbon steel, such as steel wool or wire brushes. Heavier soiling or superficial discoloration can be removed using a paste of baking soda on a damp sponge. Rub the surface gently and evenly and then rinse with fresh water. Dry with a soft cloth. Stainless steel's bright appearance can be maintained by occasional polishing with a soft cloth dipped in common household white vinegar. Commercial products specifically formulated for stainless steel may also be used.

#### After installation

Maintain environmentally controlled conditions after the installation. Large temperature changes can cause de-lamination.

---

IPC® **Door + Wall Protection**

**inpro.com • 800.222.5556 • 262.679.9010**

**World Headquarters** S80 W18766 Apollo Drive, Muskego, WI 53150 USA

**Installation Hotline:** 866.394.6776

**inpro**®