

Stainless Steel Ligature Resistant Grab Bars

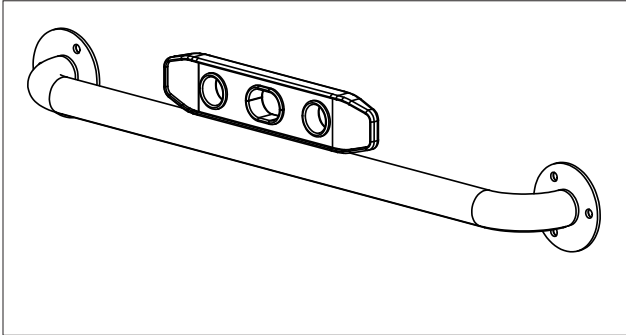
Installation Instructions

Please read all instructions before installing products.

RECOMMENDED TOOLS:

Safety glasses, Electric Drill, 1/4" Drill Bit, 1/8" Drill Bit, Level, Tape Measure, Pencil, Silicone Caulk

FIG. 1



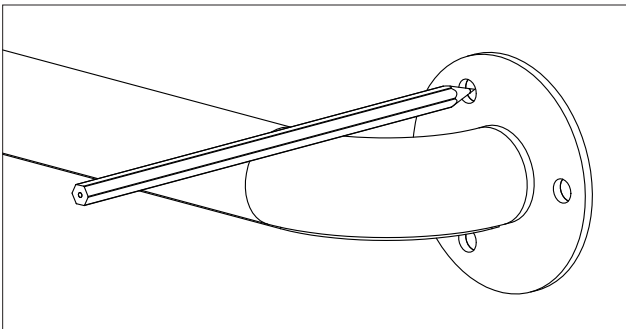
Note: Material must be stored, installed, and used in environmentally controlled conditions.

Install grab bars into solid wall sub-structure or backing plates.

Check local, state, and federal codes for code compliant installation location.

These instructions are intended for installation on BioPrism® wall panels or tile. If you are installing on privacy partitions or concrete you must provide your own suitable hardware. Steps will vary slightly for other substrates.

FIG. 2

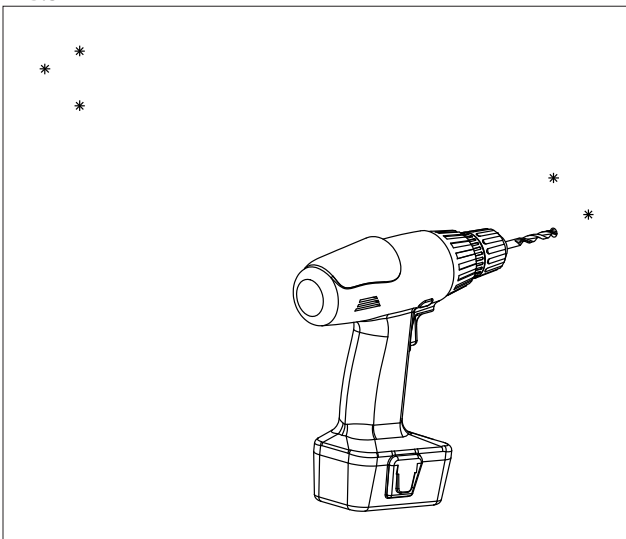


Standard Installation:

1. Using a level determine the location of the grab bar. *See Figure 1.*
2. Using the flanges as a template, transfer 3 holes per flange to the wall. *See Figure 2.*
3. Drill a 1/8" diameter x 2 1/2" deep pilot hole at each location. Then drill a 5/16" diameter pilot hole a 1/4" deep at each location. *See Figure 3.*

Note: If installing onto wall cladding such as BioPrism® or tile, holes slightly larger than the fastener are needed through the wall cladding to prevent damage to the wall cladding.

FIG.3

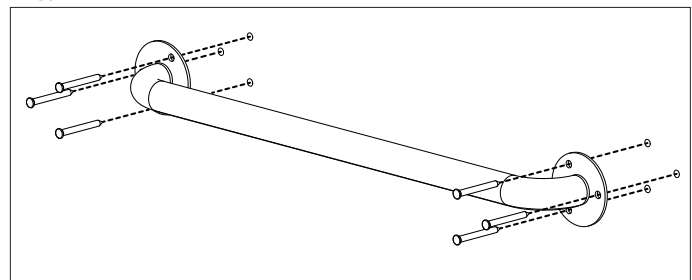


4. Using the supplied fasteners attach the grab bar onto the wall, seal each hole with silicone. *See Figure 4.*

Caution: Hand tighten mounting screws to avoid damaging wall cladding. DO NOT TIGHTEN WITH POWER TOOLS.

Note: Make sure that the back of the grab bar is completely flush with the wall to maintain the ligature resistance.

FIG.4



IPC.2023/Rev.2

ENDURANT® Washroom Systems

inpro.com • 800.222.5556 • 262.679.9010

World Headquarters S80 W18766 Apollo Drive, Muskego, WI 53150 USA

Installation Hotline: 866.394.6776

inpro®